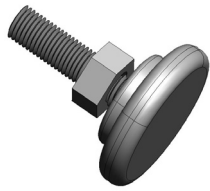


SANUS SYSTEMS

THE UNION OF FORM AND FUNCTION Assembly Instructions for Accurate Furniture AFA

Thank you for choosing Sanus Systems Accurate Furniture. Every effort has been made to ensure that your Sanus furniture is perfect. If you have questions or feel that there is a problem of any kind, please contact us at 800.359.5520 or www.sanus.com. We can quickly help with any issues regarding assembly or missing parts. Replacement parts for Sanus products purchased through authorized dealers will be shipped directly to you.

Supplied Parts and Hardware:



(4) Foot - a



(12) Shelf Connector - b



(3) Wire Hole Bushing - c



(4) Top Bolt - d



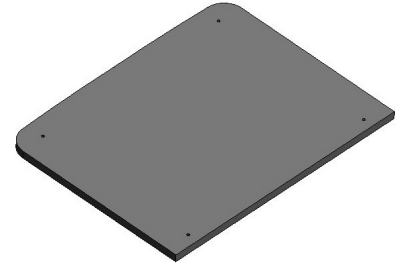
(4) 3" Pillar - e



(12) 9" Pillar - f



(3) Lower Shelf - g



(1) Top Shelf - h

1] Thread a Foot (a) into one end of each of the four 3" Pillars (e) as shown in Figure 1.

2] Thread a Shelf Connector (b) into the opposite end of each Pillar also shown in Figure 1.

3] Set a Lower Shelf onto the four Pillar assemblies from Step 1 so that a Shelf Connector (b) shows through the hole in each corner of the shelf as shown in Figure 2.

Figure 1

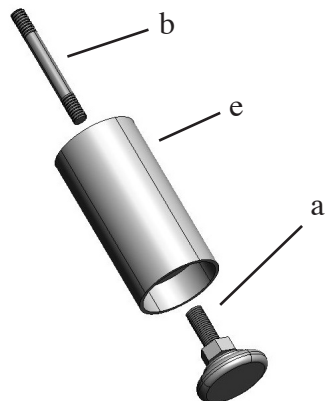
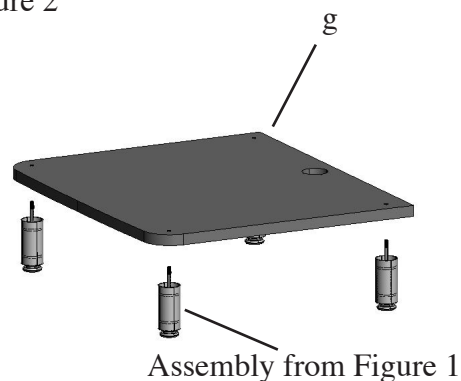


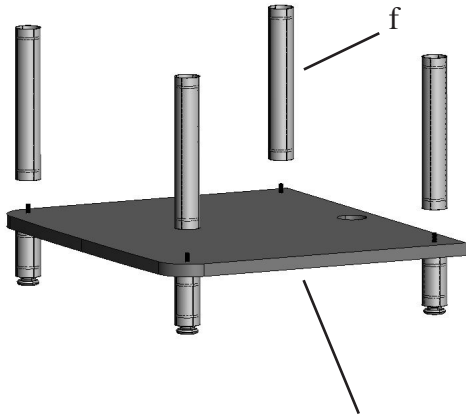
Figure 2



4] Thread a 9” Pillar (f) onto each of the exposed Shelf Connectors (b) as shown in Figure 3.

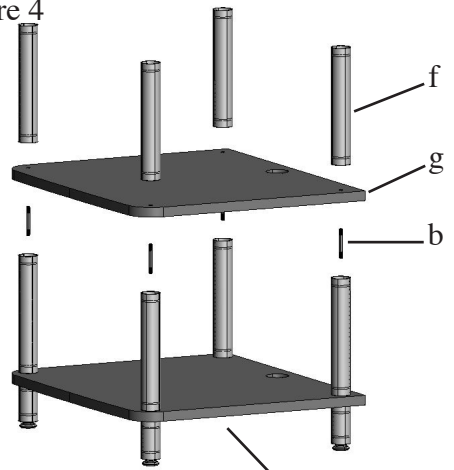
5] Repeat Step 2 through Step 4 as shown in Figure 4.

Figure 3



Assembly from Figure 2

Figure 4

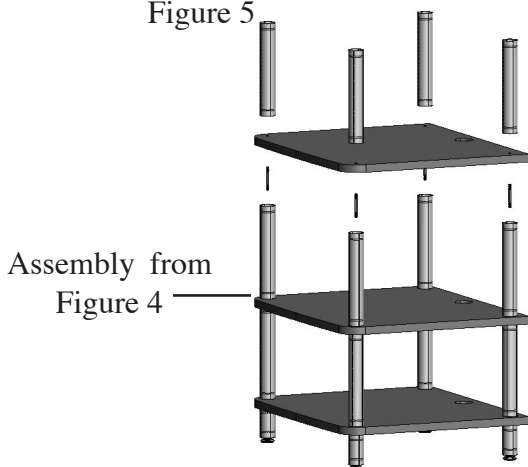


Assembly from Figure 3

6] Repeat Step 2 through Step 4 again as shown in Figure 5.

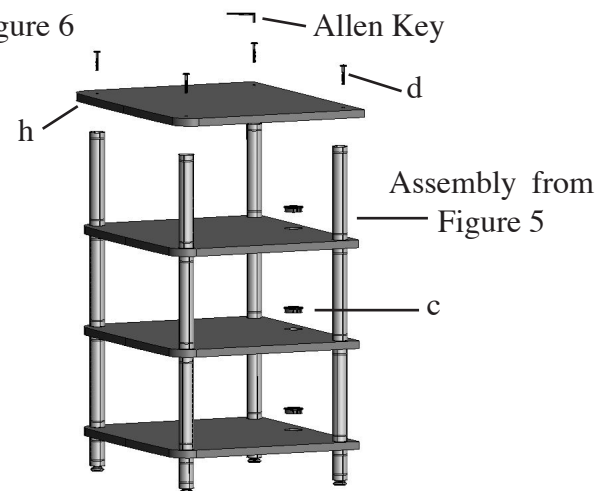
7] Place the Top Shelf (h) on top of the four 9” Pillars (f) and thread four Top Bolts (d) down through the Top Shelf and into the 9” Pillars as shown in Figure 6. Tighten securely with the Allen Key provided. Insert a Wire Hole Bushing (c) into each of the holes in the two Lower Shelves (g) also shown in Figure 6.

Figure 5



Assembly from
Figure 4

Figure 6



8] Level the stand by adjusting the height of each Foot (a). Turn the feet in or out and lock them into place by tightening the nut. Make sure the stand is level and stable.