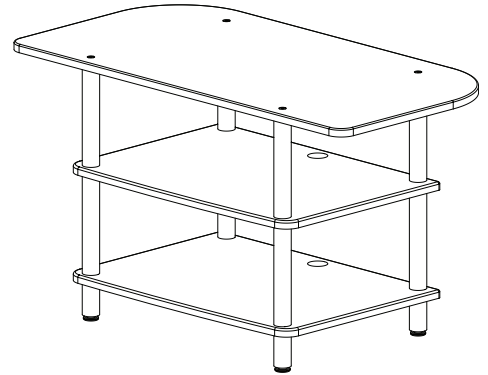


# SANUS SYSTEMS

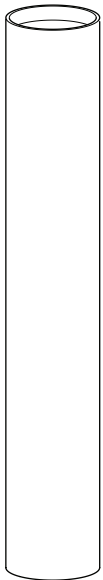
THE UNION OF FORM AND FUNCTION

## Assembly Instructions for Model: AFDV

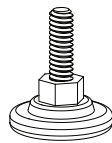
Thank you for choosing the Sanus Systems Model AFDV. The AFDV three shelf audio stand is designed for basic systems. Every effort has been made to ensure that your Sanus Systems furniture is perfect. If you have questions or feel that there is a problem of any kind, please contact us at 800-359-5520 or at [www.sanus.com](http://www.sanus.com). We can quickly help with any issues regarding assembly or missing parts. Replacement parts for Sanus systems products purchased through authorized dealers will be shipped directly to you.



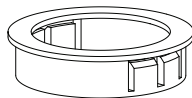
### Supplied Parts List:



9" Pillar - A  
Qty. 8



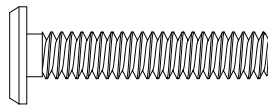
Foot Pad - C  
Qty. 4



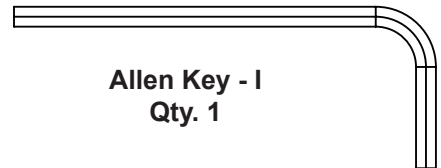
Wire Hole Bushing - D  
Qty. 2



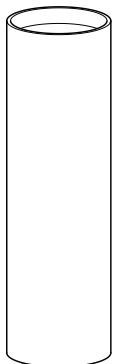
Shelf Connector - E  
Qty. 8



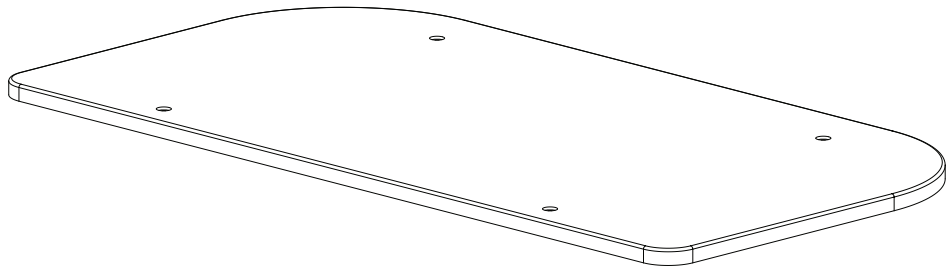
Top Bolt - F  
Qty. 4



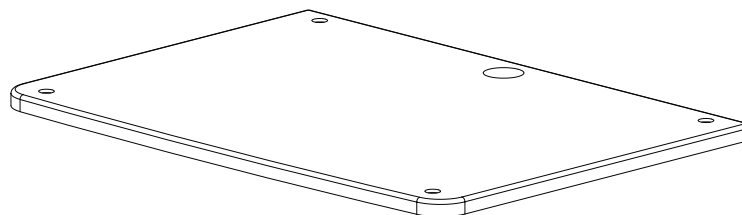
Allen Key - I  
Qty. 1



3" Pillar - B  
Qty. 4



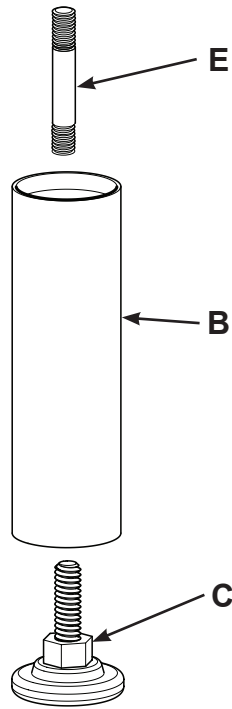
Top Shelf - G  
Qty. 1



Lower Shelf - H  
Qty. 2

### Step 1 - Assemble the four 3" Pillars

Hand thread a Foot Pad (C) into each of the four 3" Pillars (B); then, hand thread one Shelf Connector (E) into each 3" Pillar.

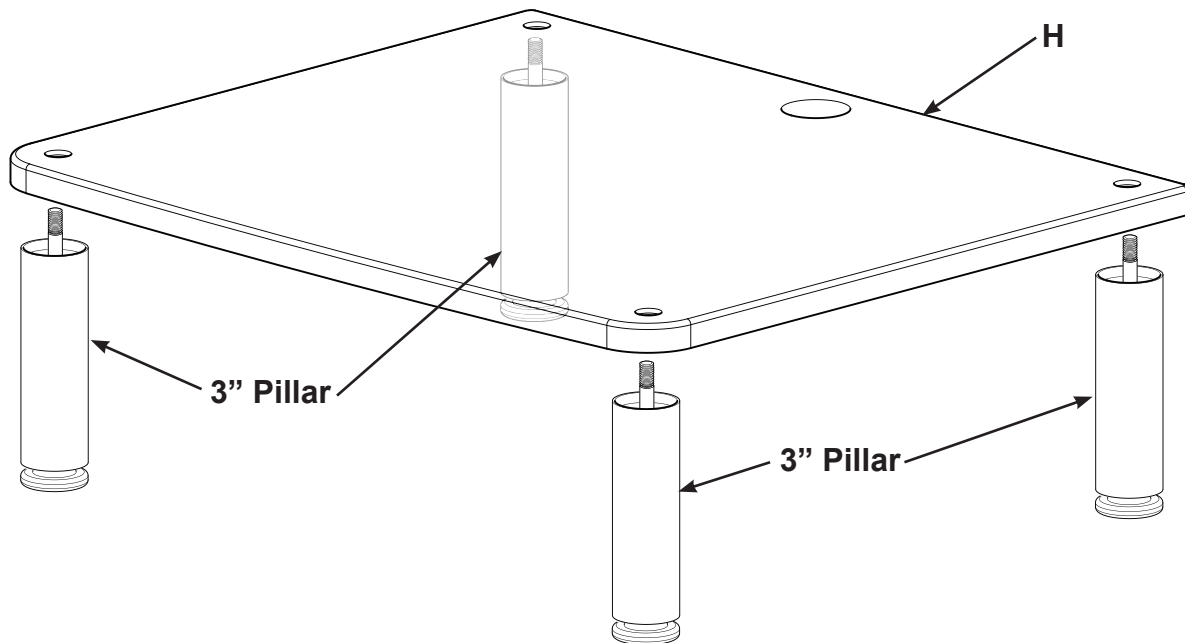


---

### Step 2 - Insert four 3" Pillars into Lower Shelf

Insert the four 3" Pillars from Step - 1 into one Lower Shelf (H).

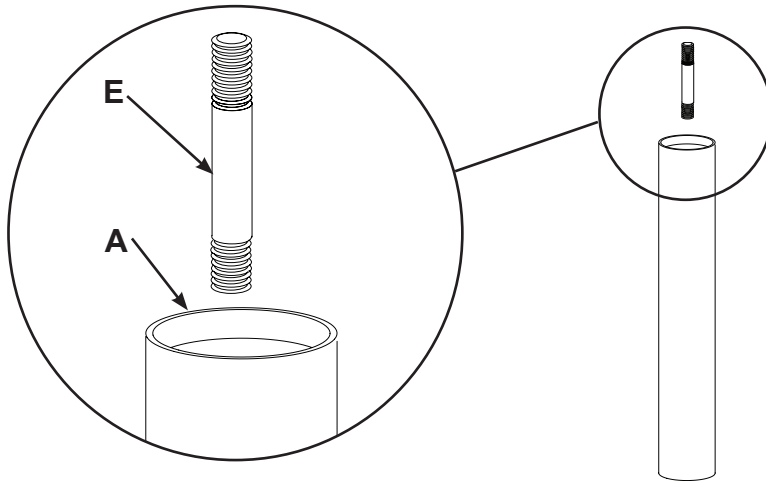
Diagram 2



### Step 3 - Assemble four 9" Pillars

Hand thread one Shelf Connector (E) into four of the 9" Pillars (A).

Diagram 3



---

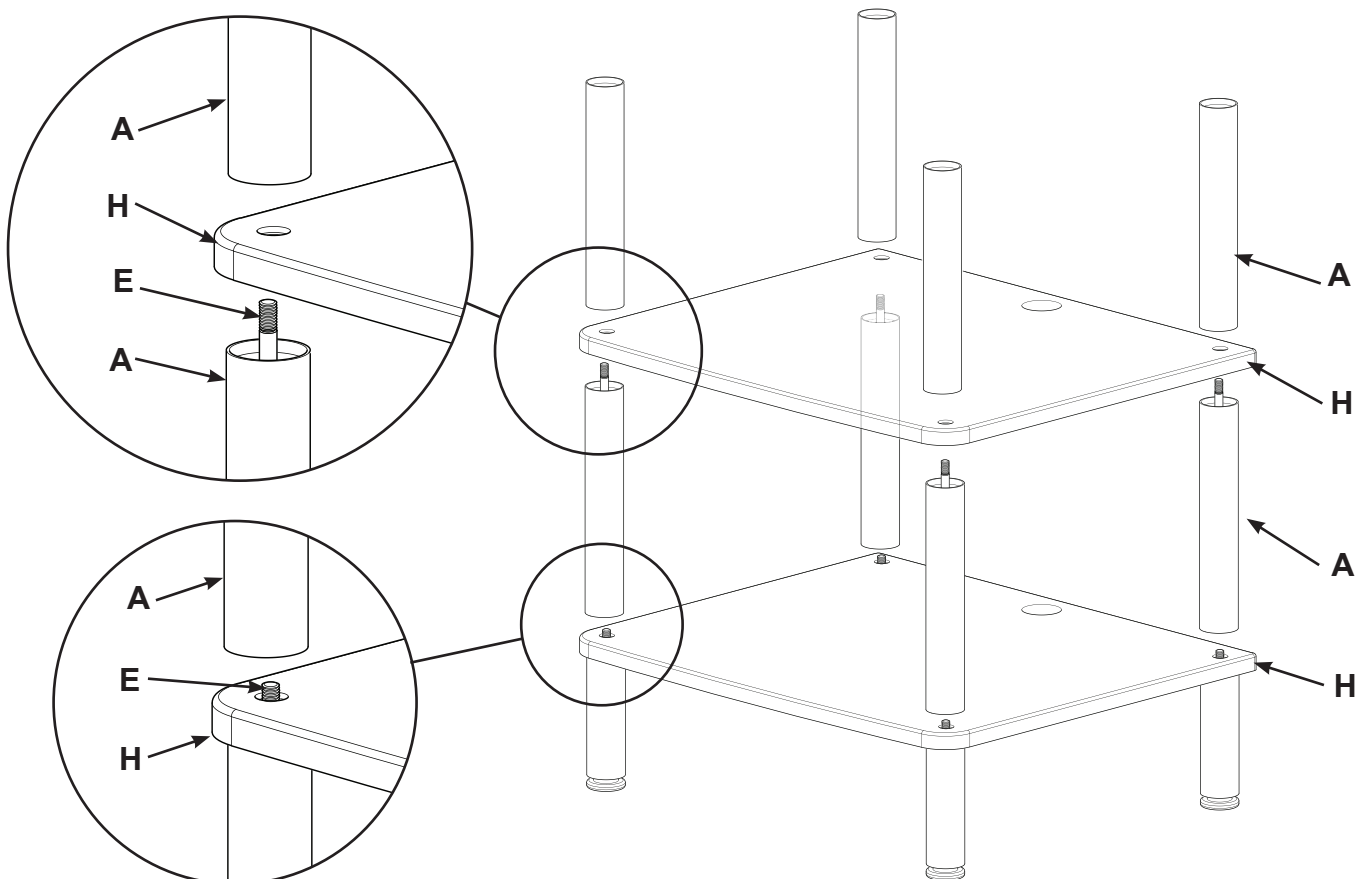
### Step 4 - Assemble Lower Shelves

Hand thread the 9" Pillars (A) with Shelf Connectors (E) onto the threaded portion of the Leg Assemblies.

Place a Shelf (B) onto the four 9" Pillars.

Screw the 9" Pillars (A) with without Shelf Connectors (E) onto the threaded portion of the 9" Leg Assemblies..

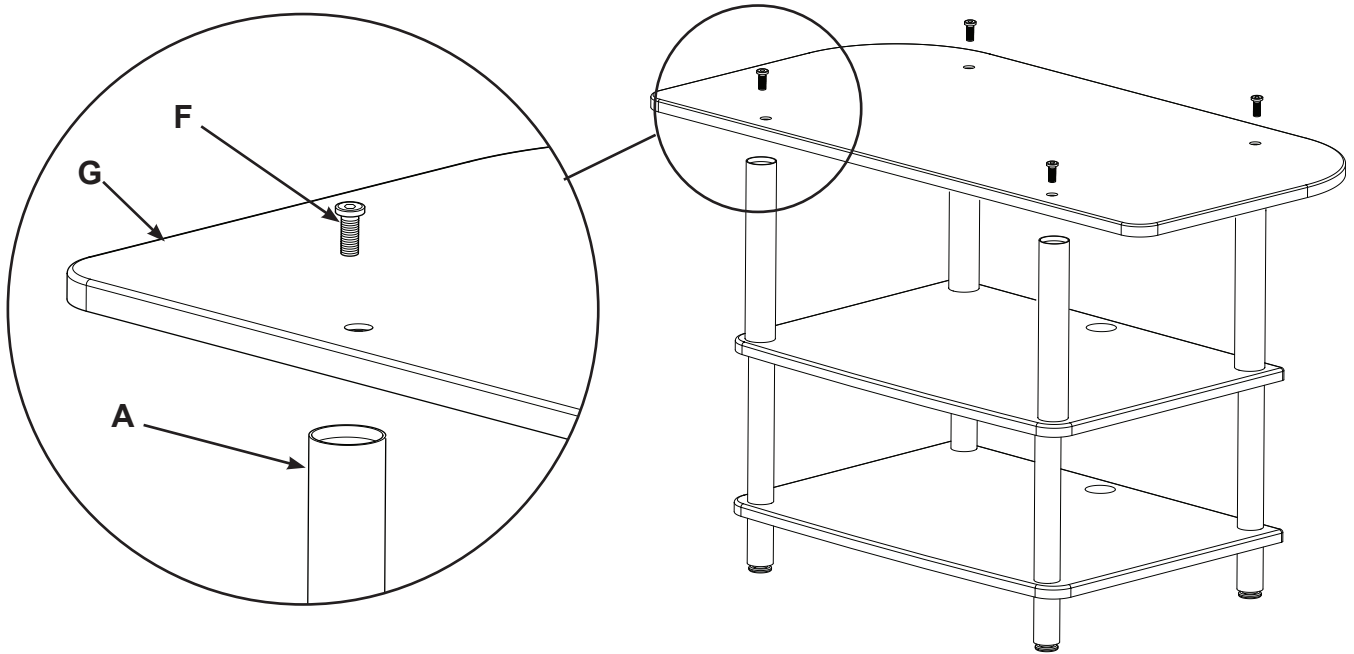
Diagram 4



### Step 5 - Add Top Shelf

Place the Top Shelf (G) on the four 9" Pillars (A); then, using the four Top Bolts (F), secure the Top Shelf to the 9" Pillars.

Diagram 5



### Step 6 - Install Wire Hole Bushings

Press a Wire Hole Bushing (D) into each of the holes in the back of the Lower Shelves (H).

Diagram 6

