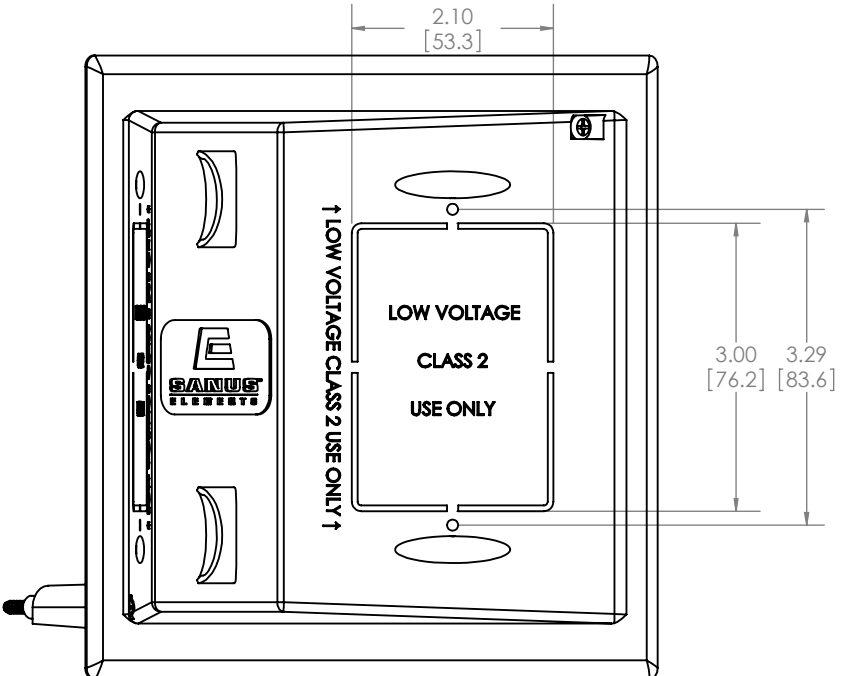
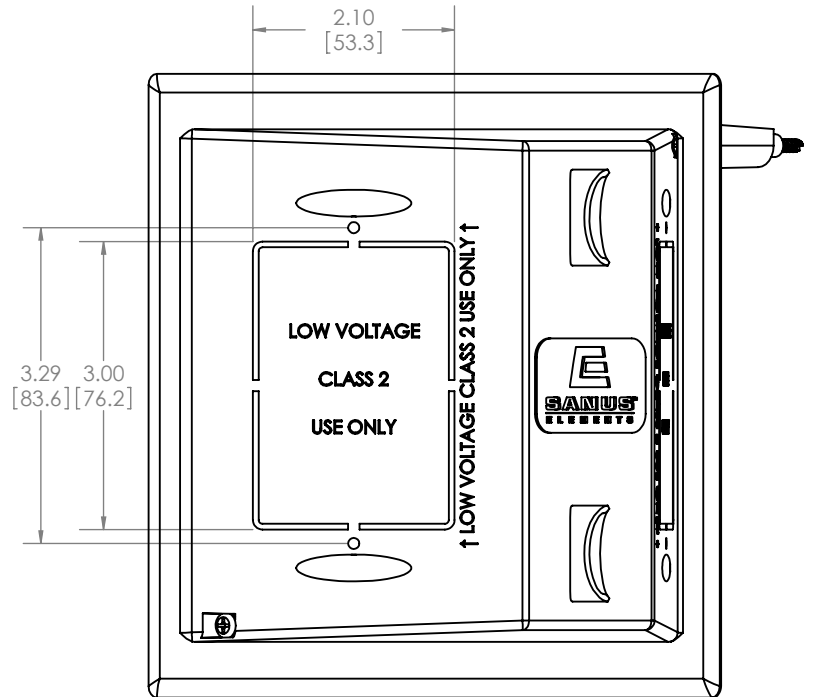
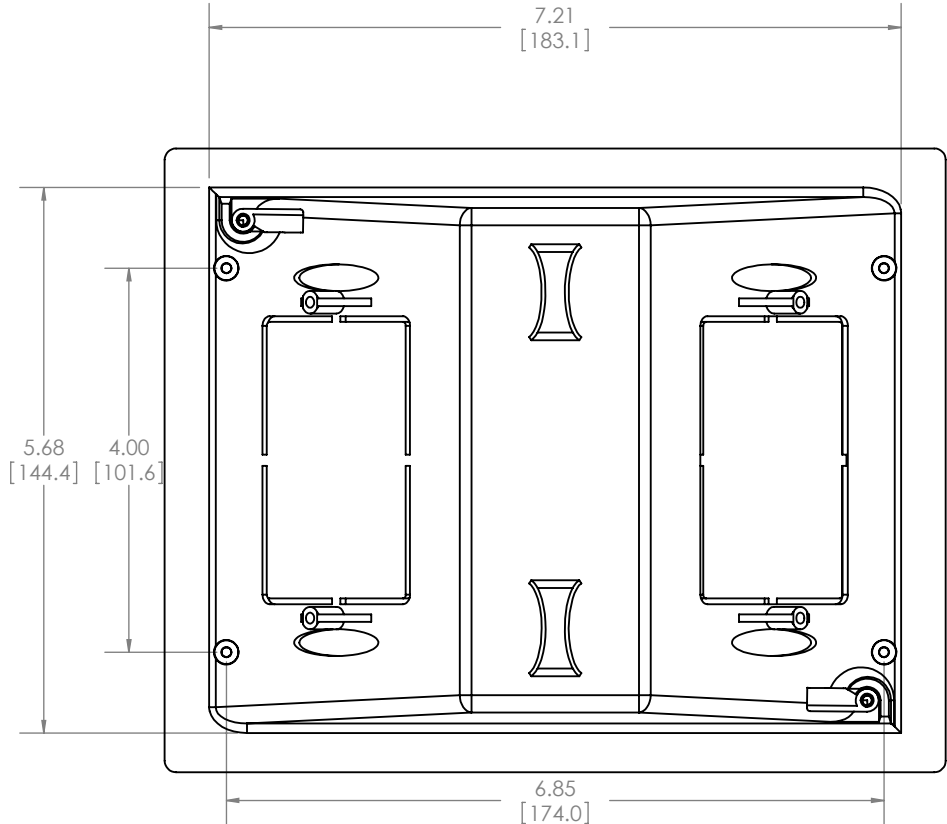
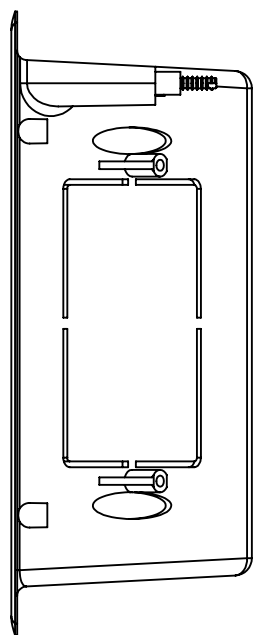
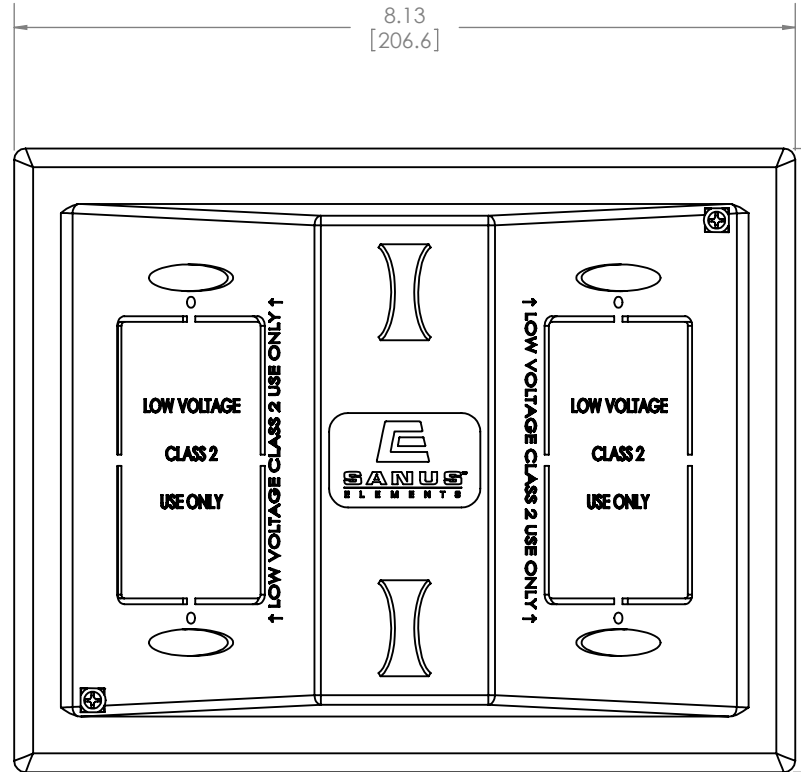
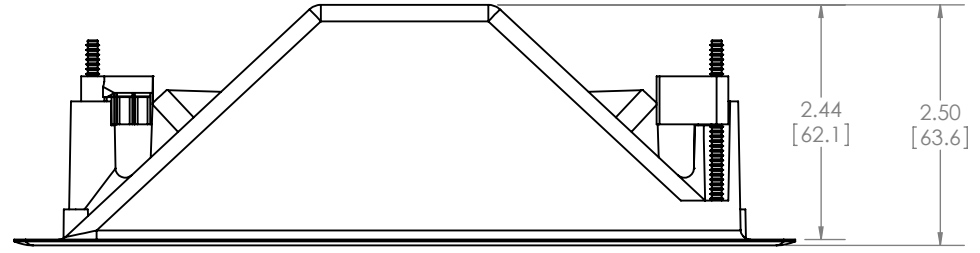


8 7 6 5 4 3 2 1

REVISIONS 修订版				
REV. 修订	DESCRIPTION 描述	DATE 日期	INITIALED 负责人字母缩写	ECO 工程变更



<p><b>PROPRIETARY AND CONFIDENTIAL</b></p> <p>THE INFORMATION CONTAINED IN THIS DRAWING IS THE SOLE PROPERTY OF SANUS SYSTEMS, A PRODUCT DIVISION OF MILESTONE AV TECHNOLOGIES. ANY REPRODUCTION IN PART OR AS A WHOLE WITHOUT THE WRITTEN PERMISSION OF SANUS SYSTEMS IS PROHIBITED.</p> <p>专有且机密资料</p> <p>本信息属 SANUS SYSTEMS 公司专属财产, 非经 SANUS SYSTEMS 书面许可, 严禁复制其中任何内容</p>	NAME 姓名	DATE 日期	<p><b>SANUS</b><sup>®</sup></p> <p>S Y S T E M S</p> <p>DESCRIPTION 描述:</p> <p>ELM803</p>	
	ENGINEER 工程师	NAS		
	DESIGNER 设计师	JKV		
APPROVED 批准	NAS		NOTES 注释:	
TEMPLATE REV 模板修订版: 06	SCALE 比例: 1:2	SHEET 1 OF 第 1	<p>SIZER 尺寸</p> <p>DWG. NO. 图纸编号</p> <p><b>B</b> ELM803</p>	
			REV 修订	
			<b>01</b>	

8 7 6 5 4 3 2 1