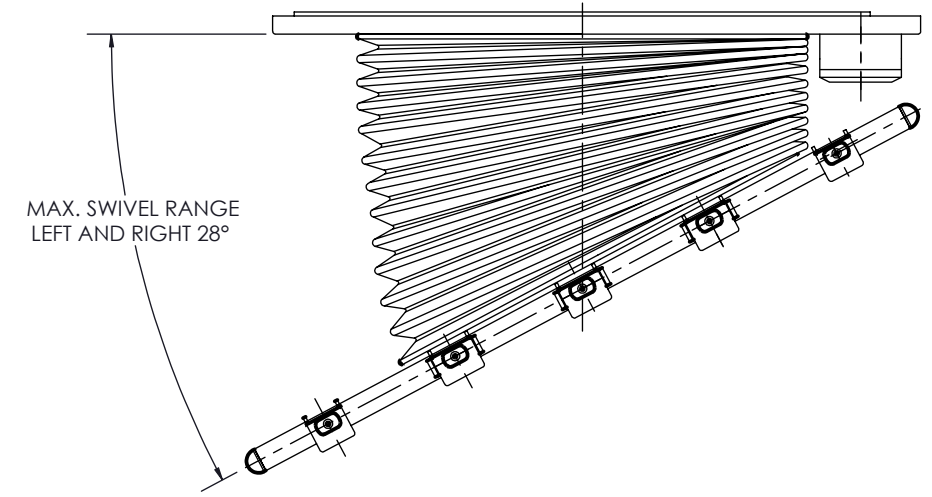


8 7 6 5 4 3 2 1

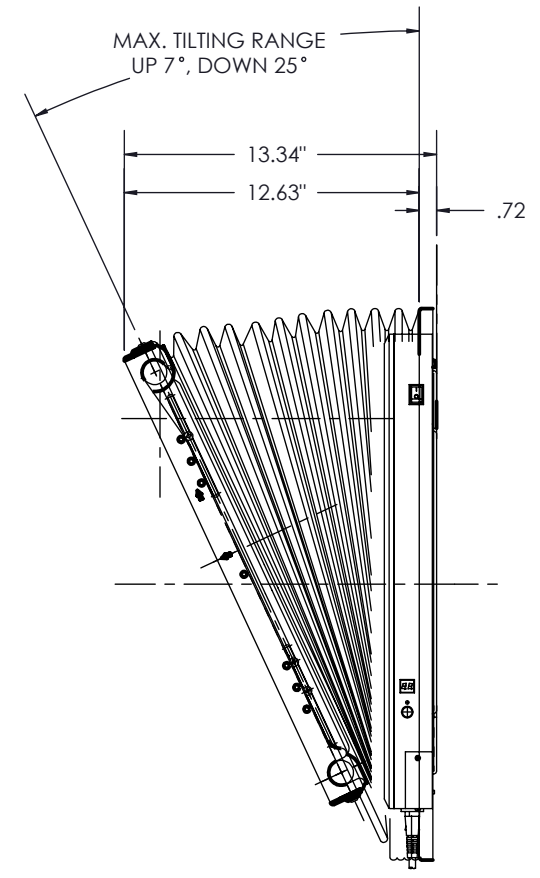
D

D



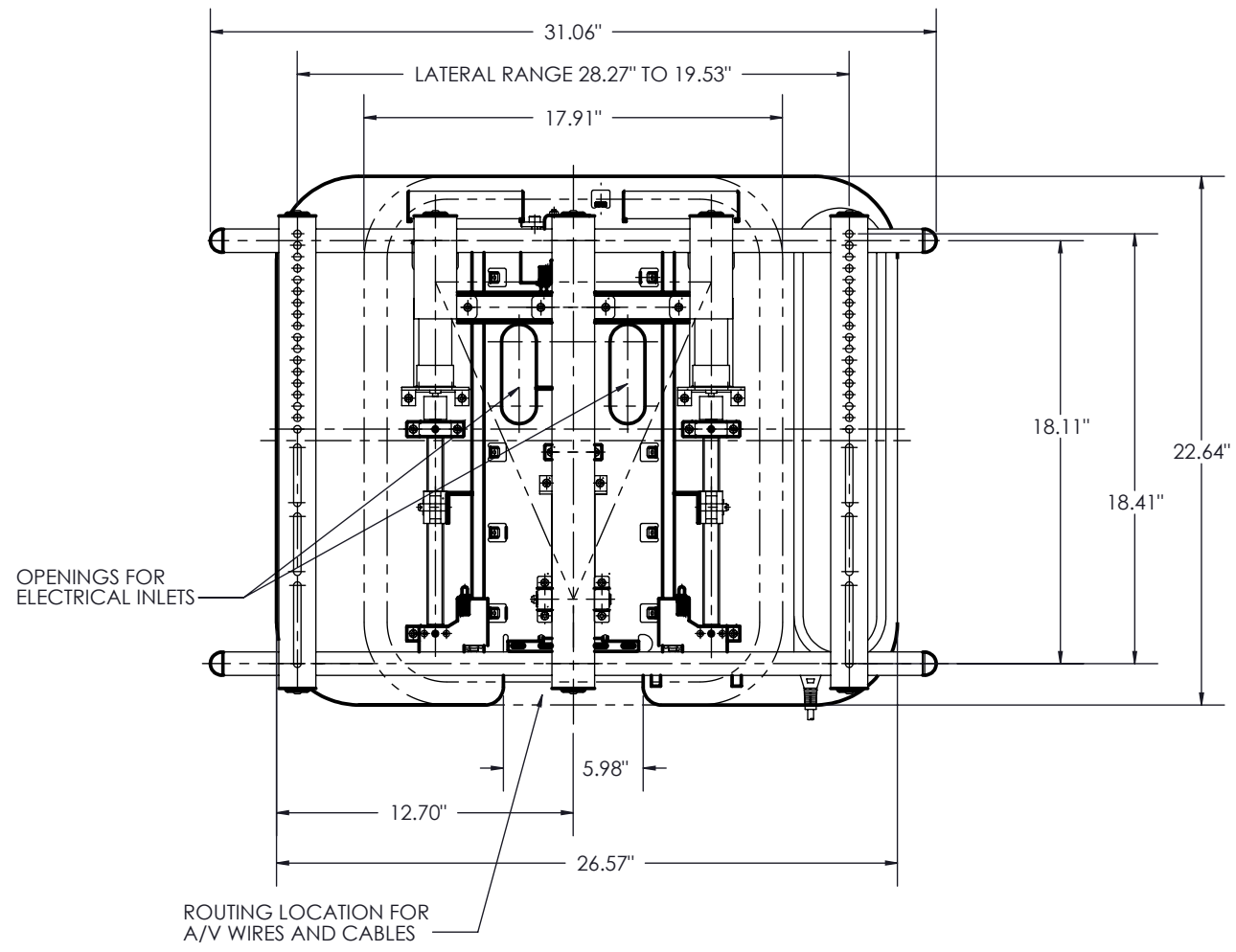
C

C



B

B



A

A

	NAME	DATE	SANUS SYSTEMS
ENGINEER	MRR	11/08/07	
DESIGNER	MRR	11/08/07	TITLE:
APPROVED			

NOTES:

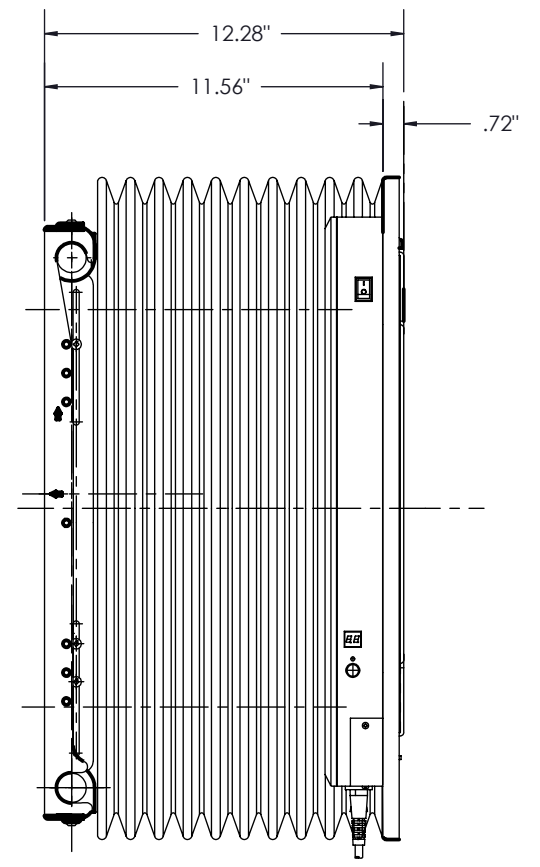
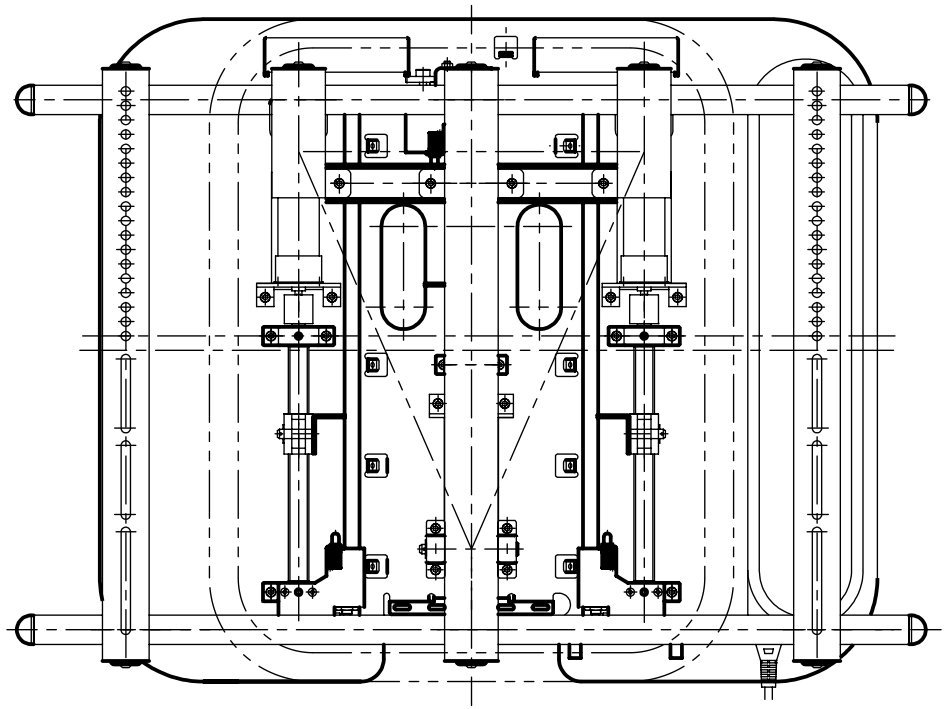
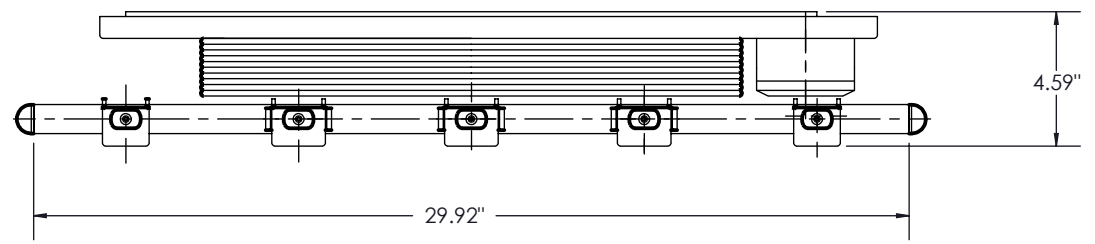
LA112

PROPRIETARY AND CONFIDENTIAL
THE INFORMATION CONTAINED IN THIS
DRAWING IS THE SOLE PROPERTY OF
SANUS SYSTEMS. ANY REPRODUCTION
IN PART OR AS A WHOLE WITHOUT THE
WRITTEN PERMISSION OF SANUS SYSTEMS
IS PROHIBITED.

8 7 6 5 4 3 2 1

8 7 6 5 4 3 2 1

D
C
B
A



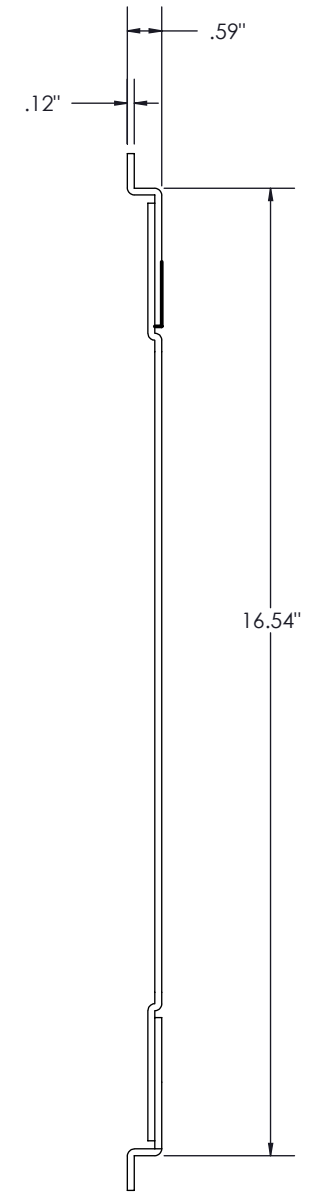
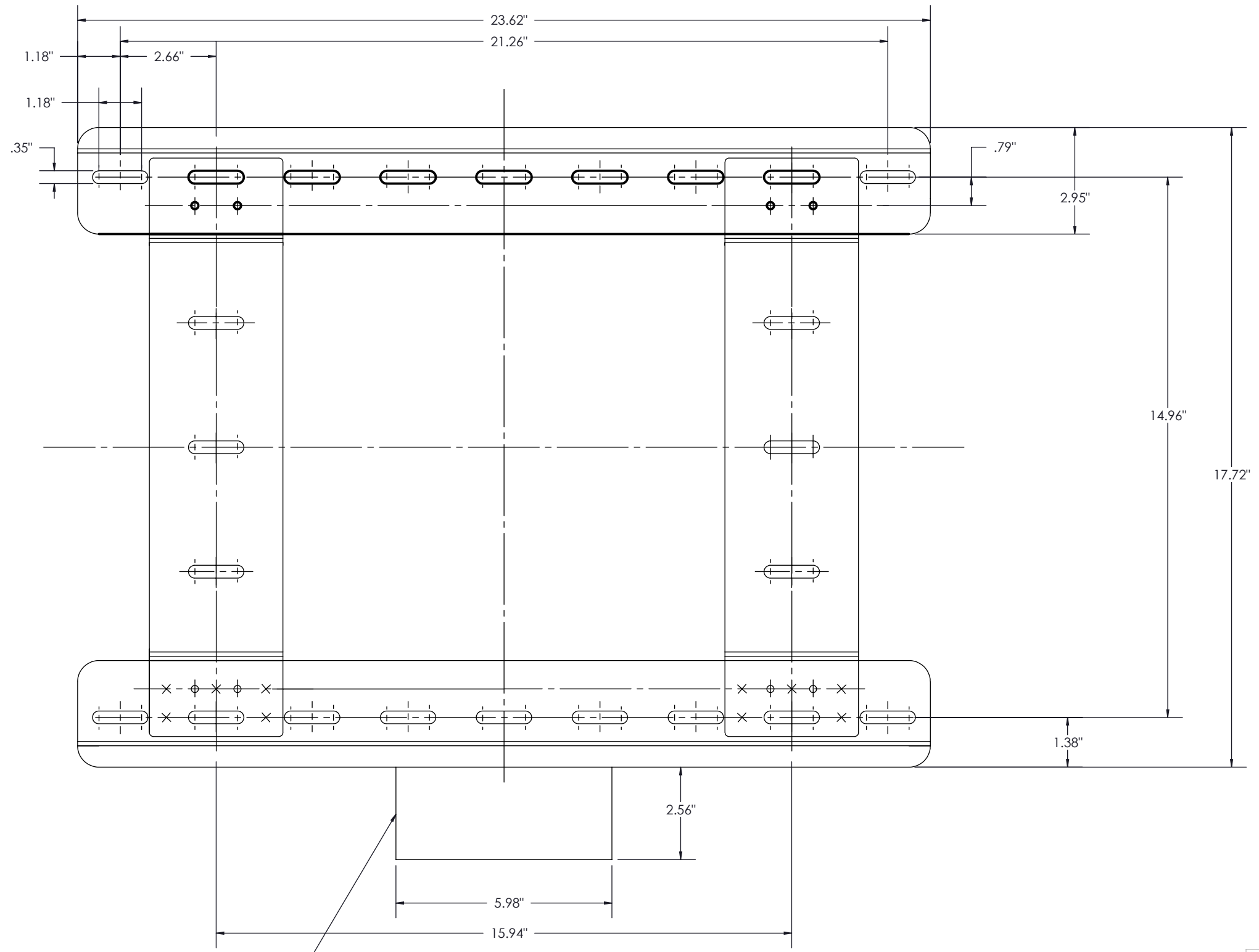
	NAME	DATE	SANUS SYSTEMS
ENGINEER	MRR	11/08/07	
DESIGNER	MRR	11/08/07	TITLE:
APPROVED			LA112
NOTES:			
			SHEET 2 OF 3

PROPRIETARY AND CONFIDENTIAL
 THE INFORMATION CONTAINED IN THIS DRAWING IS THE SOLE PROPERTY OF SANUS SYSTEMS. ANY REPRODUCTION IN PART OR AS A WHOLE WITHOUT THE WRITTEN PERMISSION OF SANUS SYSTEMS IS PROHIBITED.

8 7 6 5 4 3 2 1

8 7 6 5 4 3 2 1

D
C
B
A



D
C
B
A

ENGINEER	NAME MRR	DATE 11/08/07	SANUS SYSTEMS
DESIGNER	MRR	11/08/07	
APPROVED			
NOTES:			TITLE: LA112
			SHEET 3 OF 3

PROPRIETARY AND CONFIDENTIAL
THE INFORMATION CONTAINED IN THIS DRAWING IS THE SOLE PROPERTY OF SANUS SYSTEMS. ANY REPRODUCTION IN PART OR AS A WHOLE WITHOUT THE WRITTEN PERMISSION OF SANUS SYSTEMS IS PROHIBITED.

8 7 6 5 4 3 2 1