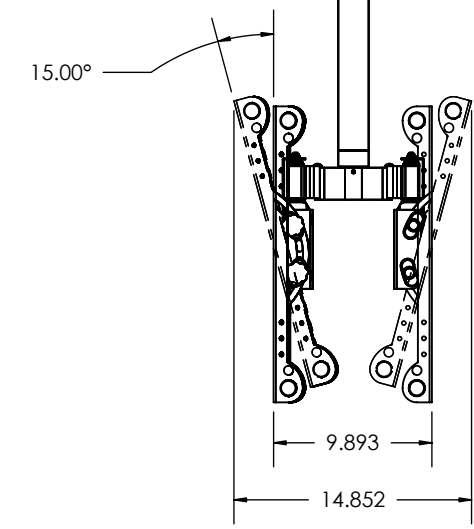
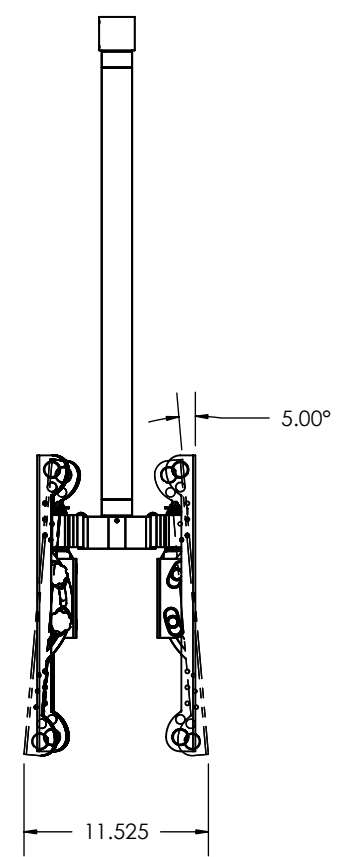
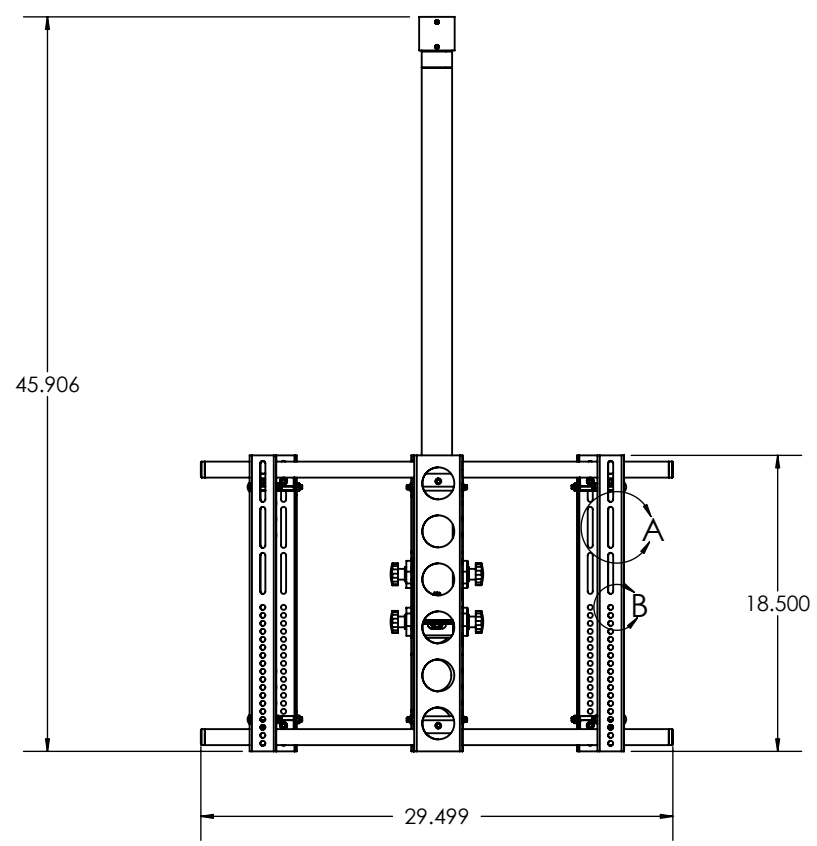
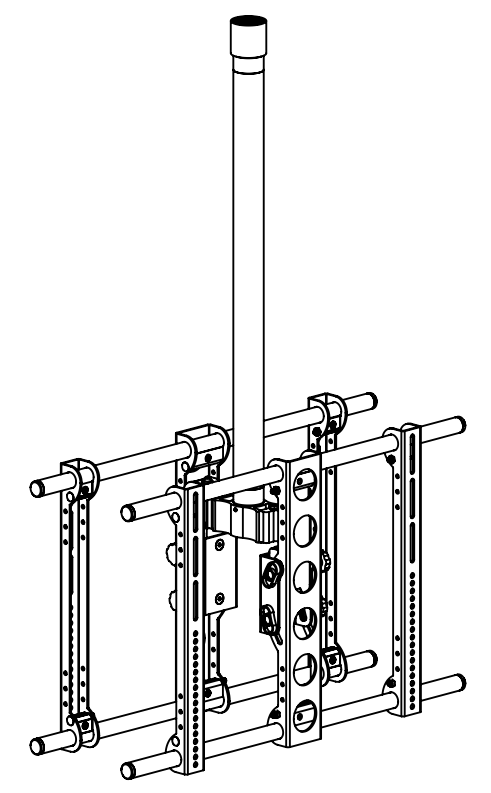
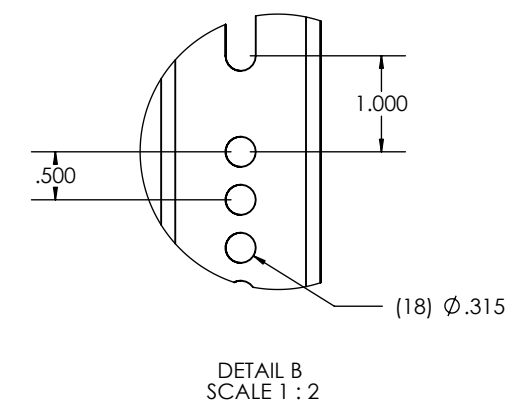
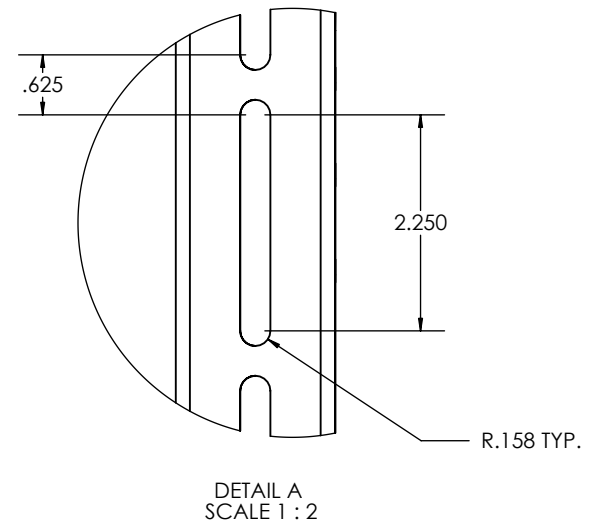


8 7 6 5 4 3 2 1

D
C
B
A



MAXIMUM WEIGHT CAPACITY
130 LBS EACH SIDE

PROPRIETARY AND CONFIDENTIAL
This product and/or its method of use is covered by one or more of the following patent(s): U.S. Patent numbers D405,988; D407,244; D405,630; 6,349,657; D429,581; D446,053; D440,079; 6,098,822; D494,978; D495,714; D496,367; D507,477; D494,596; D495,713; and D493,800 and foreign equivalents; European Patent number 000170717-0001; 000170717-0002; 1228942; and 106588 and foreign equivalents; and other patents issued or patents pending in the U.S. and other countries that are either assigned or exclusively licensed to Sanus Systems.

	NAME	DATE	SANUS SYSTEMS
DRAWN	JKV	9/5/2006	
CHECKED			TITLE:
ENG APPR.			LC2A
6802 - Sanus Complete Assembly			SHEET 1 OF 1
NOTES:			

8 7 6 5 4 3 2 1