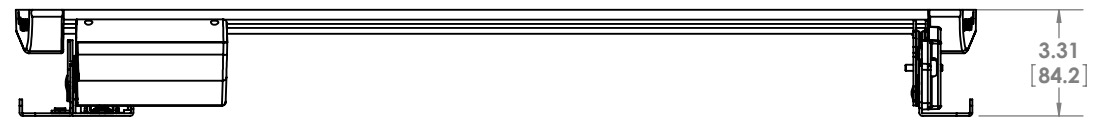


8 7 6 5 4 3 2 1

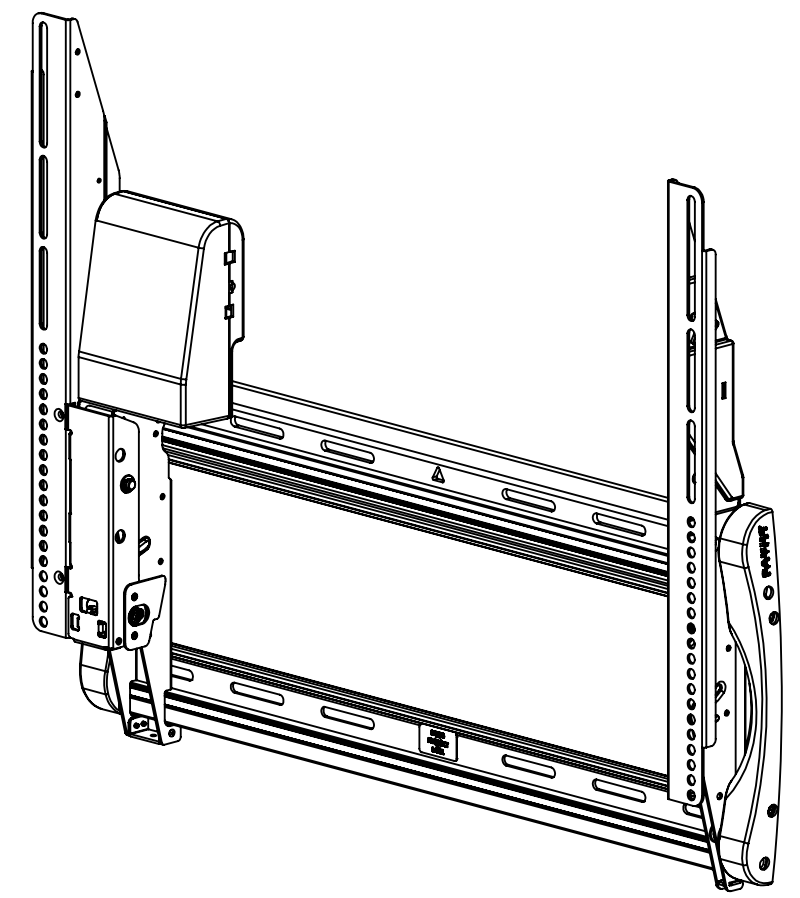
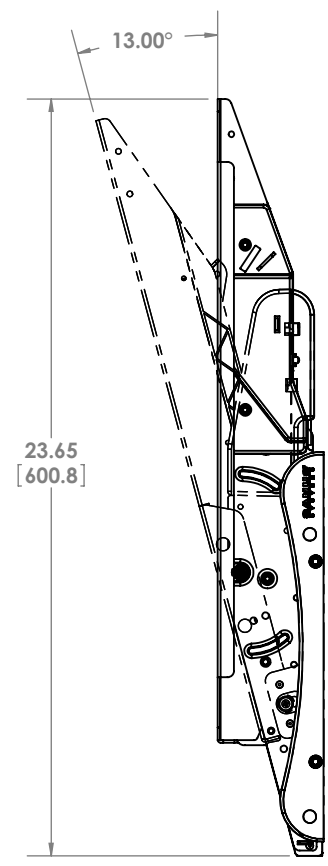
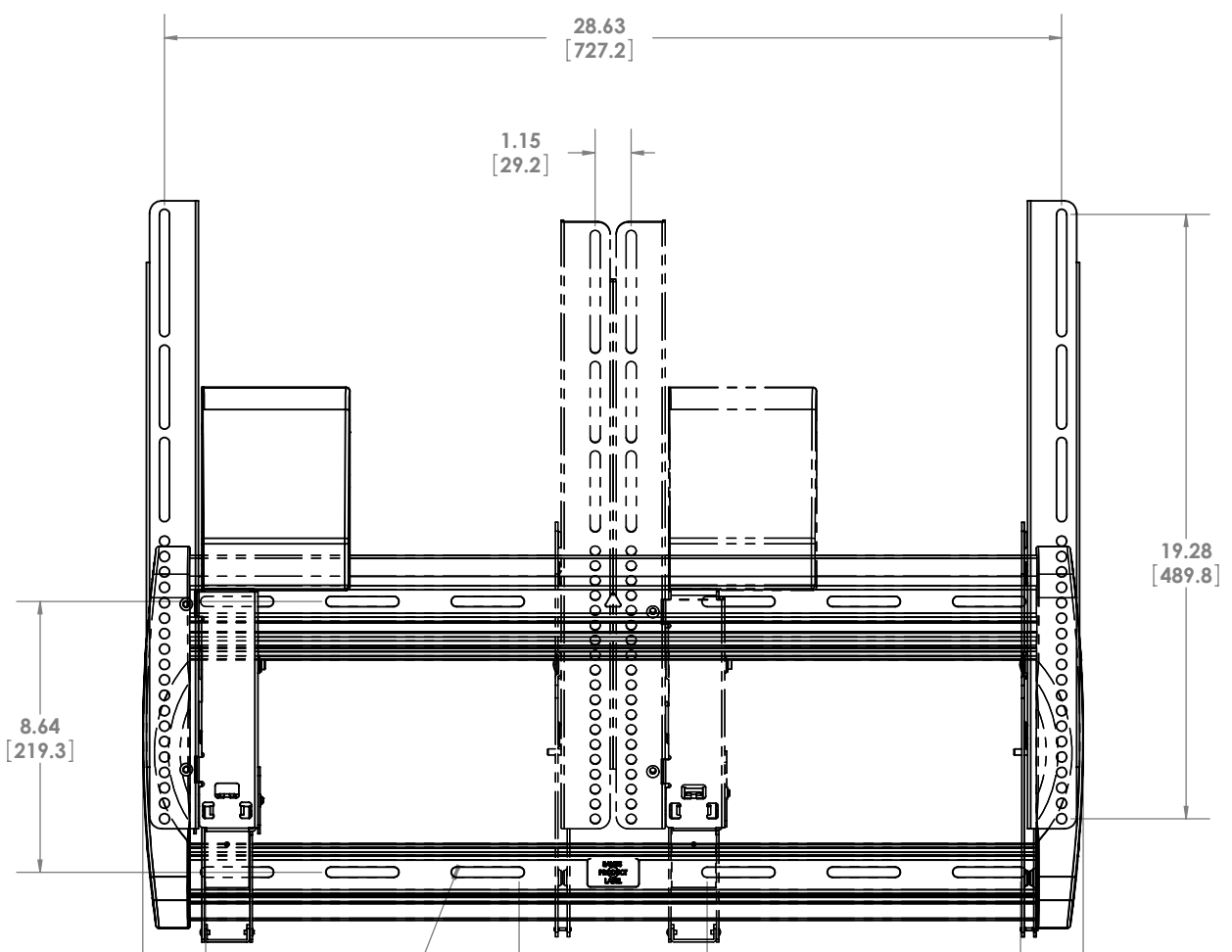
D

D



C

C



B

B

A

A

8 7 6 5 4 3 2 1

	NAME NAS	DATE 7/3/08	SANUS SYSTEMS
ENGINEER	xxxx	xxxx	
DESIGNER	xxxx	xxxx	TITLE:
APPROVED	xxxx	xxxx	LMT15
NOTES:			
TEMPLATE REV.:	05		SHEET 1 OF 1

PROPRIETARY AND CONFIDENTIAL
 THE INFORMATION CONTAINED IN THIS
 DRAWING IS THE SOLE PROPERTY OF
 SANUS SYSTEMS, A PRODUCT DIVISION OF
 MILESTONE AV TECHNOLOGIES. ANY
 REPRODUCTION IN PART OR AS A WHOLE
 WITHOUT THE WRITTEN PERMISSION OF
 SANUS SYSTEMS IS PROHIBITED.