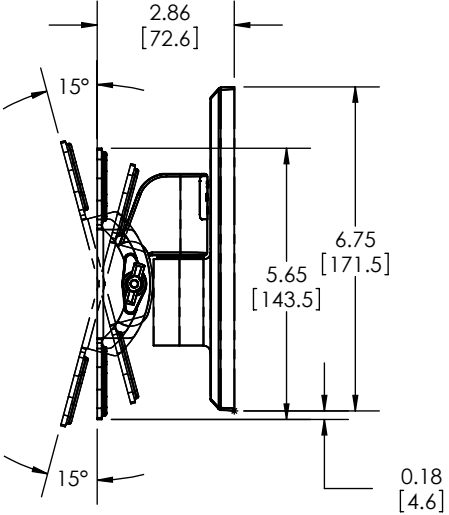
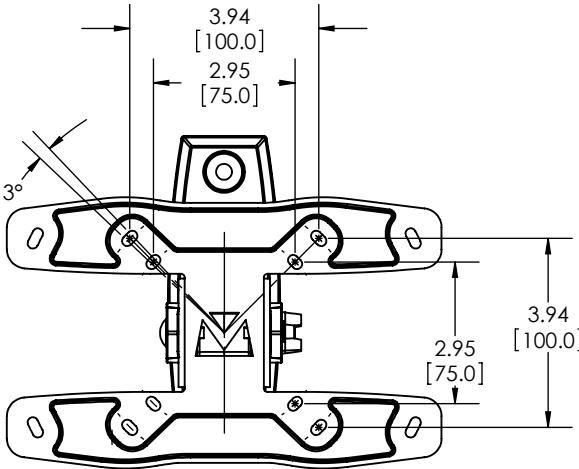
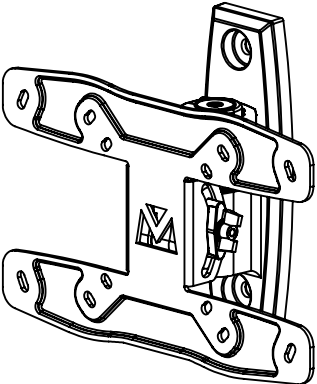
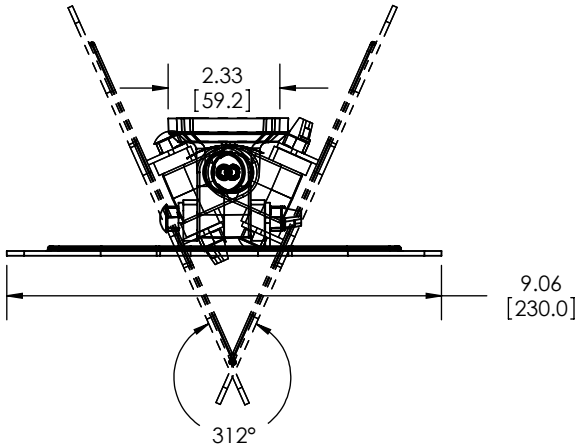


MAXIMUM WEIGHT CAPACITY:
50 LBS.



	NAME	DATE
ENGINEER	J BURES	11/19/07
DESIGNER	JKV	11/20/07
APPROVED	J BURES	11/20/07

SANUS SYSTEMS

TITLE: **SF203-XX**

NOTES:

PROPRIETARY AND CONFIDENTIAL
THE INFORMATION CONTAINED IN THIS DRAWING IS THE SOLE PROPERTY OF SANUS SYSTEMS. ANY REPRODUCTION IN PART OR AS A WHOLE WITHOUT THE WRITTEN PERMISSION OF SANUS SYSTEMS IS PROHIBITED.