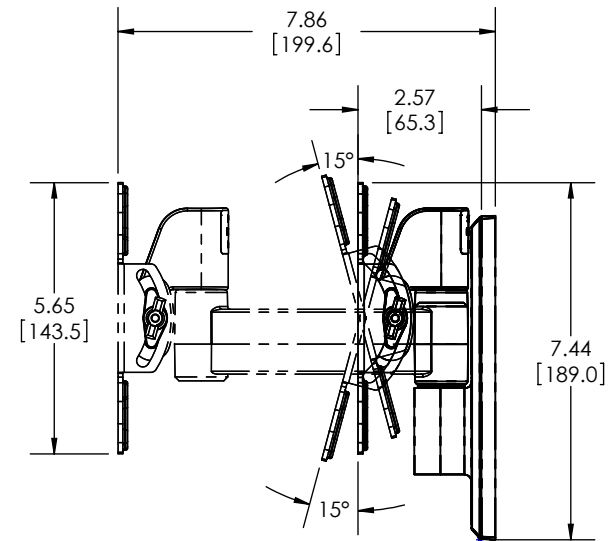
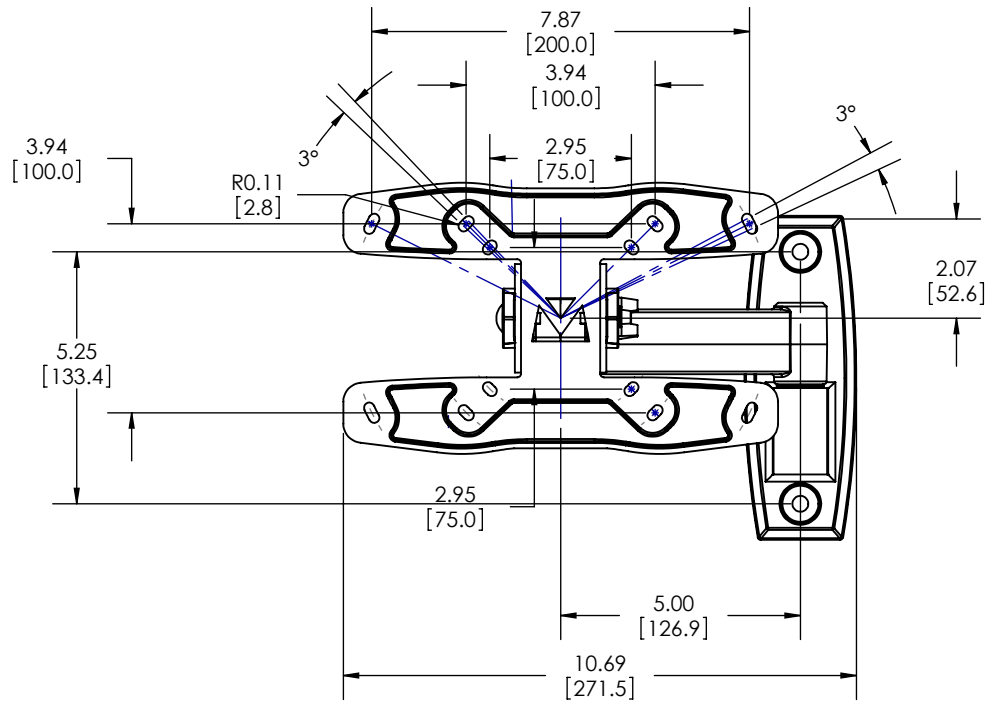
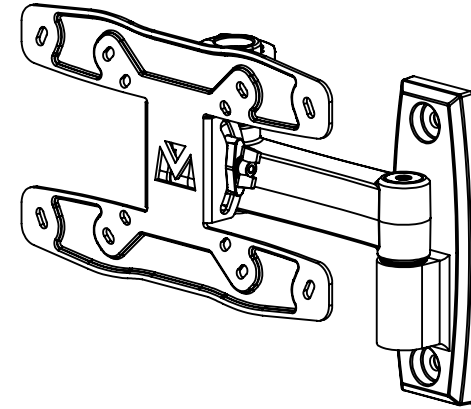
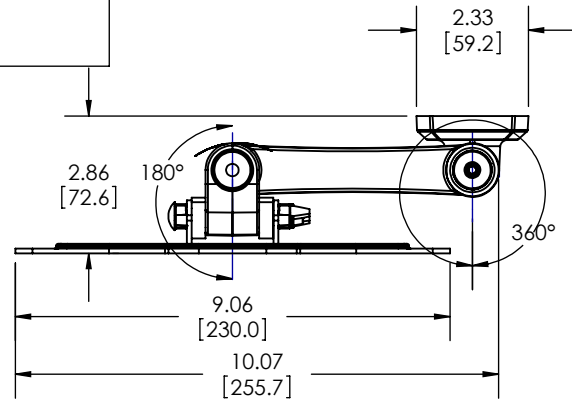


MAXIMUM WEIGHT CAPACITY:
45 LBS.



	NAME	DATE
ENGINEER	J BURES	11/19/07
DESIGNER	JKV	11/20/07
APPROVED	J BURES	11/20/07

SANUS SYSTEMS

TITLE:

SF208-XX

NOTES:

PROPRIETARY AND CONFIDENTIAL

THE INFORMATION CONTAINED IN THIS DRAWING IS THE SOLE PROPERTY OF SANUS SYSTEMS. ANY REPRODUCTION IN PART OR AS A WHOLE WITHOUT THE WRITTEN PERMISSION OF SANUS SYSTEMS IS PROHIBITED.

TEMPLATE REV.: 04

SHEET 1 OF 1