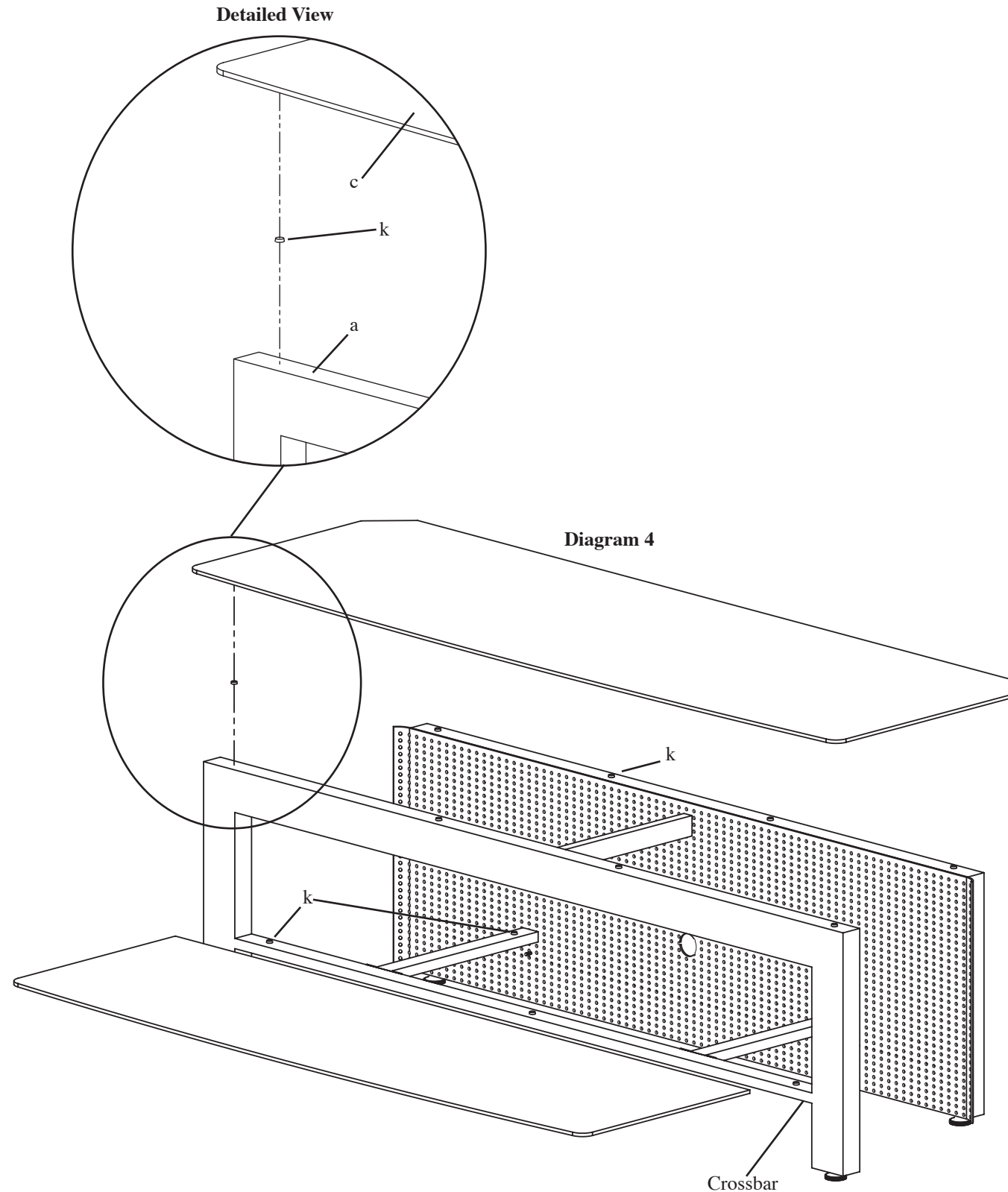


Step 4: Installing Glass Shelves

Evenly place 4 Glass Protectors (k) along the top and 4 more along the bottom of the Front Frame (a) as shown in Diagram 4. Next, place a Glass protector on the back of each Lower Brace Bars (f). Then, evenly place 4 Glass protectors on the top of the Back Frame (b). Next, place the Top Glass Shelf (c) on the top of the Front and Back Frame. Finally, place the Glass Shelf (d) so it rests on the Lower Brace Bars and the crossbar on the Front Frame. See Diagram 4 for assistance.



SANUS SYSTEMS

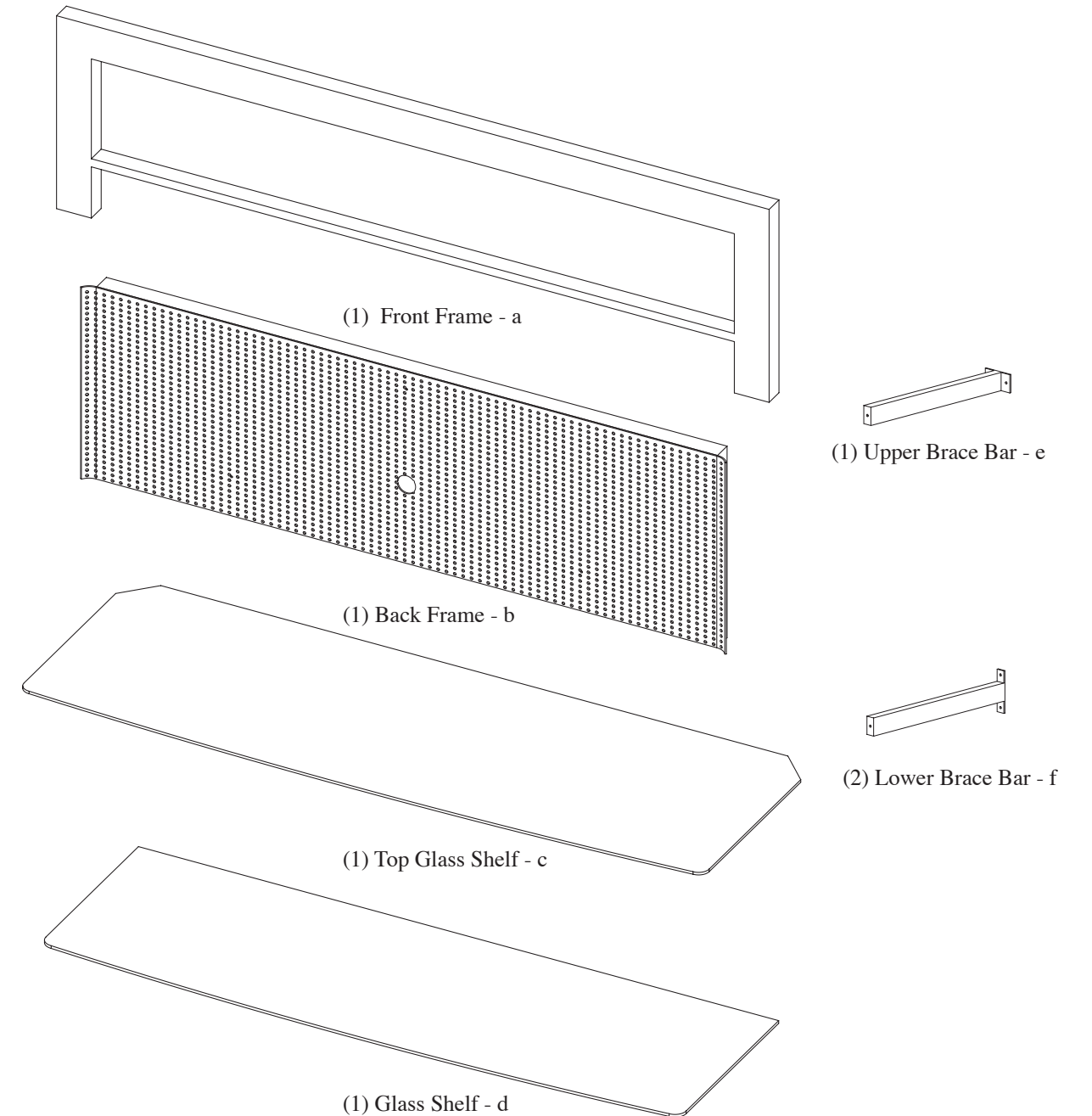
THE UNION OF FORM AND FUNCTION

Assembly Instructions for SFV65

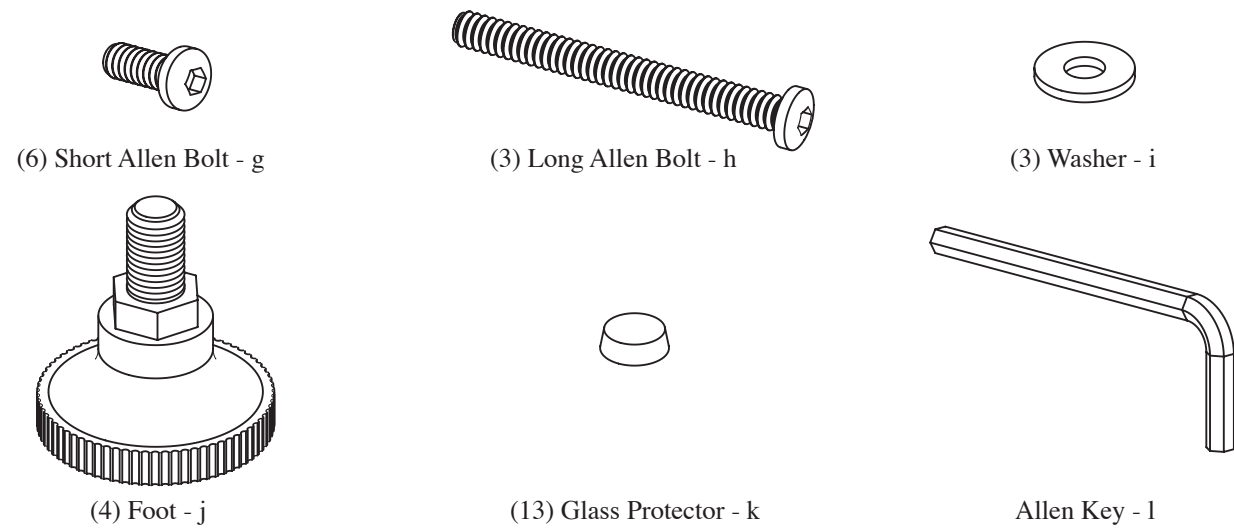
Thank you for choosing the Steel Furniture line from Sanus Systems. If you have any questions regarding this or any other Sanus Systems product, please contact us at 800.359.5520 or visit us at www.sanus.com. Our customer service representatives can assist you quickly with any issues regarding assembly or missing parts. Check carefully to make sure none of the parts are missing or defective. Never use defective parts. Replacement parts for products purchased from an authorized dealer will be shipped directly to you. Please call Sanus Systems before returning products to retail stores.

Required Tools: Phillips screw driver

Parts and Hardware:



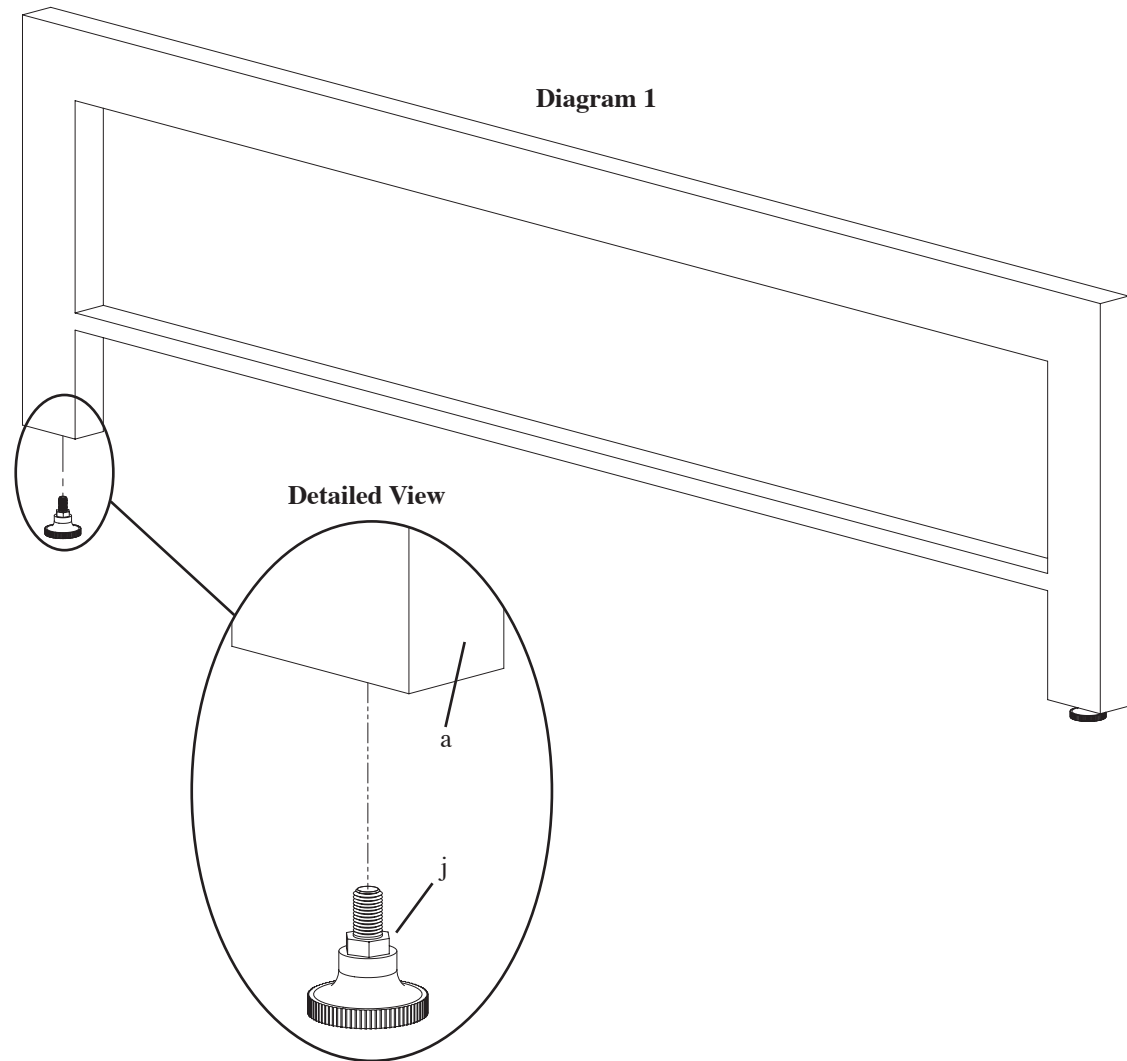
Hardware: Shown at actual size



Step 1: Install Feet

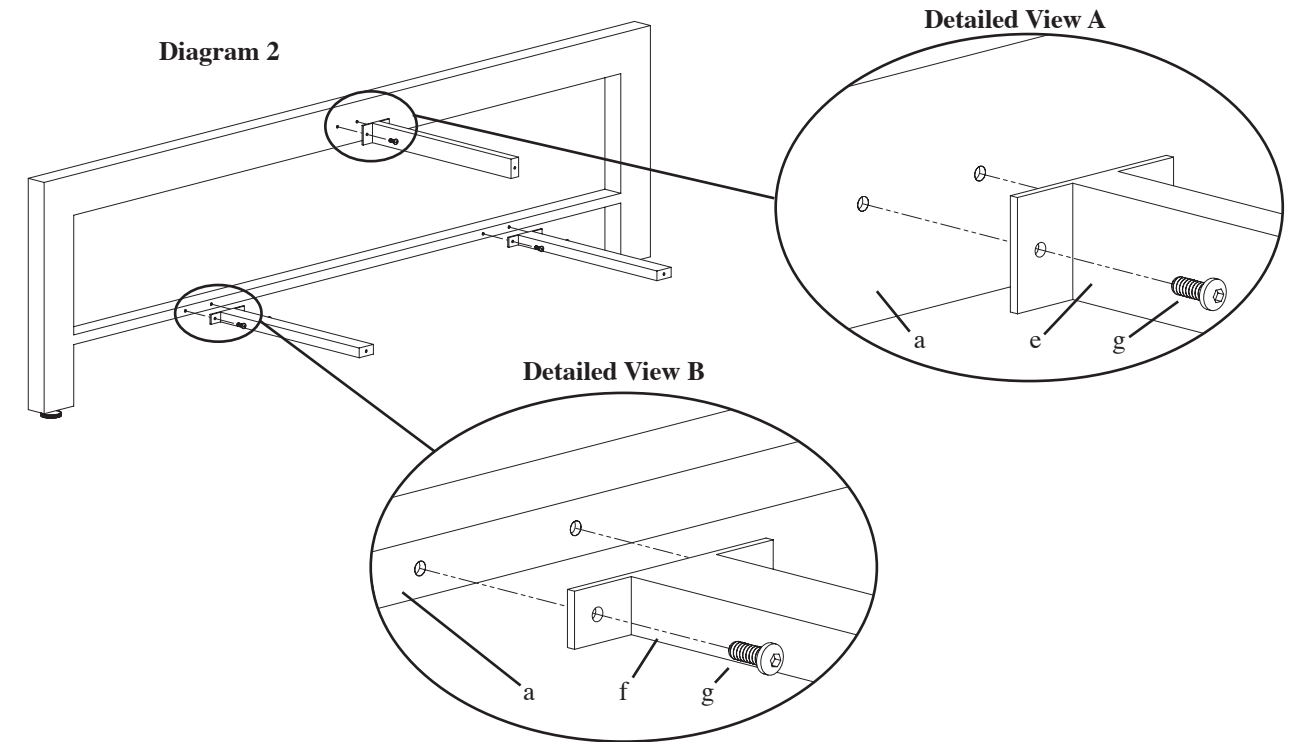
Thread 2 Feet (j) into the bottom of the Front Frame (a) as shown in Diagram 1. Thread the remaining two feet into the bottom of the Back Frame (b). Thread all 4 feet in until they bottom out in the frame.

Note: Once the stand is assembled, the Feet can be adjusted to level the stand if needed



Step 2: Attach Brace Bars to Front Frame

Thread a Short Allen Bolt (g) through each hole in the Upper Brace Bar (e) until the bar is secured to the Front Frame (a). See Detailed View A of Diagram 2 for assistance. Proceed to thread a Short Allen Bolt through each hole in the Lower Brace Bars (f) so each bar is secured to the Front Frame. Do not fully tighten the Short Allen Bolts at this time.



Step 3: Attach Back Frame

Thread a Long Allen Bolt (h) through a Washer (i), the Back Frame (b), and into the back of the Brace Bar (e,f) as seen in Diagram 3. Make sure the stand is square and level. Once everything is positioned correctly, proceed to tighten all of the Long Allen Bolts as well as the Short Allen Bolts (g) from Step 2 with the Allen Key (l) until they are tight.

