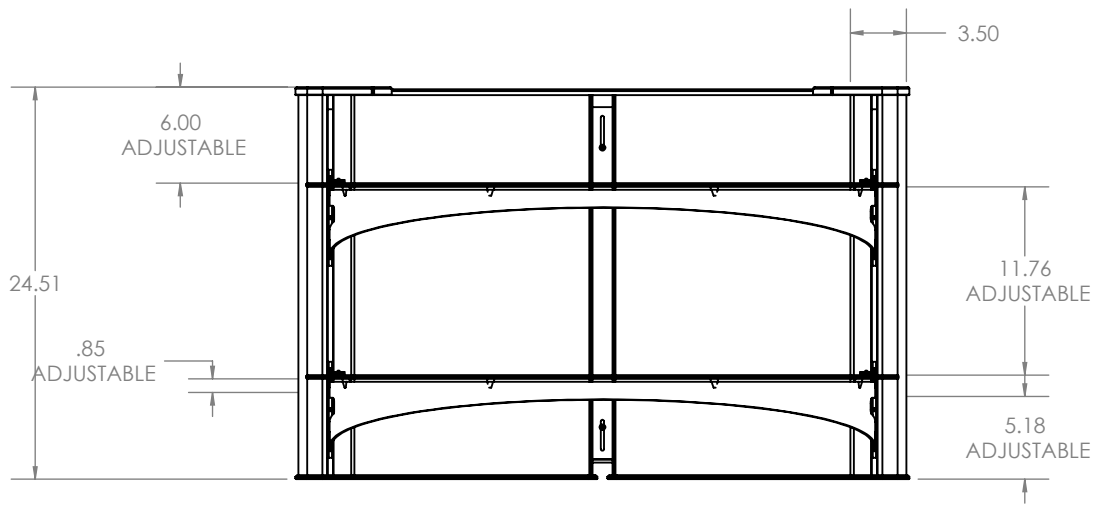
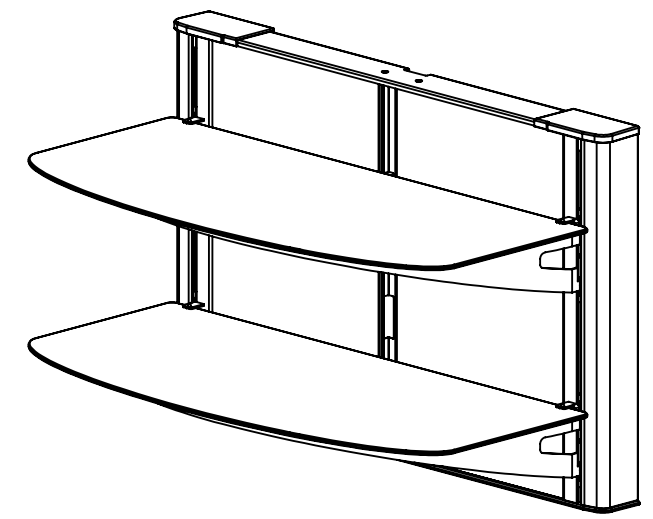
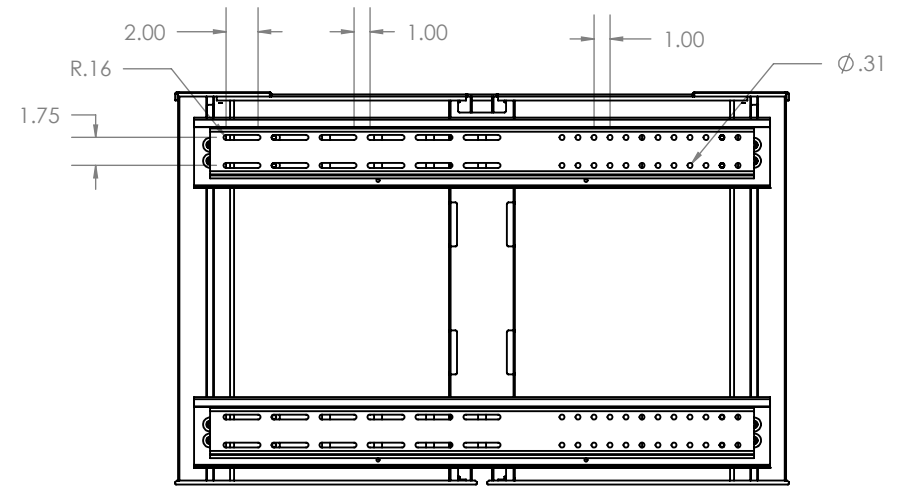
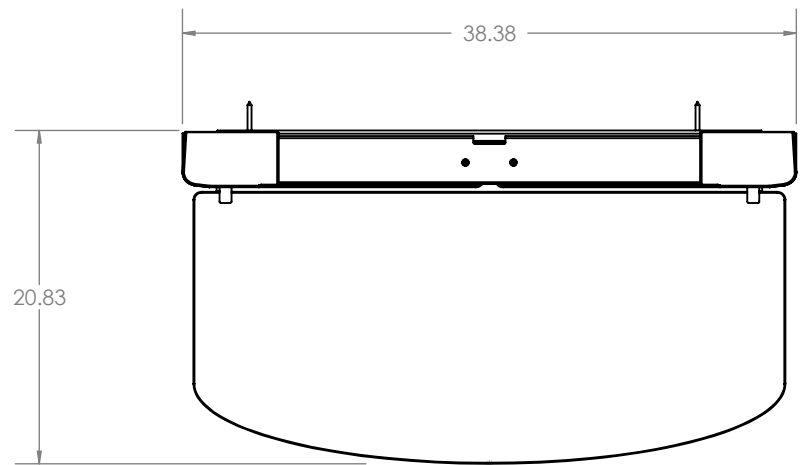
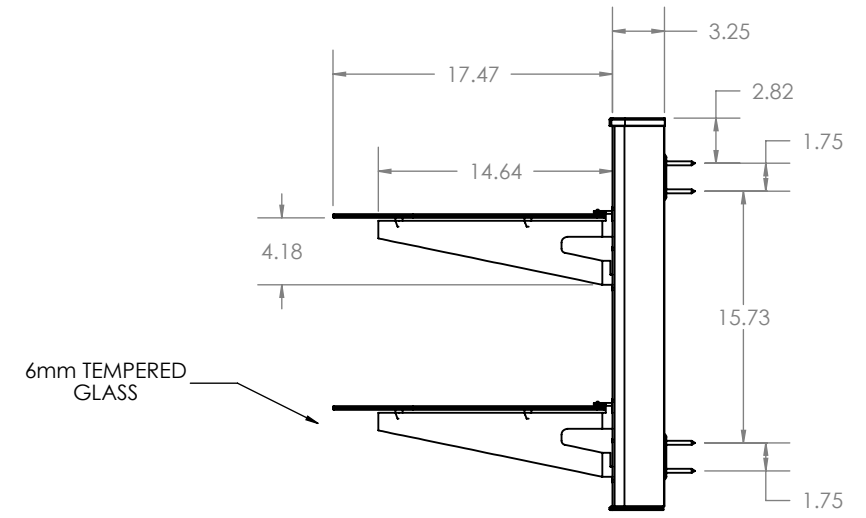


8 7 6 5 4 3 2 1



SHELF CAPACITY:  
75LBS PER SHELF



	NAME	DATE	<b>SANUS SYSTEMS</b>
DRAWN	MRR	08/10/2007	
CHECKED			TITLE:
ENG APPR.			<b>VF5022</b>
NOTES:			
			SHEET 1 OF 1

**PROPRIETARY AND CONFIDENTIAL**  
This product and/or its method of use is covered by one or more of the following patent(s): U.S. Patent numbers D405,988; D407,244; D405,630; 6,349,657; D429,581; D446,053; D440,079; 6,098,822; D494,978; D495,714; D496,367; D507,477; D494,596; D495,713; and D493,800 and foreign equivalents; European Patent number 000170717-0001; 000170717-0002; 1228942; and 106588 and foreign equivalents; and other patents issued or patents pending in the U.S. and other countries that are either assigned or exclusively licensed to Sanus Systems.

8 7 6 5 4 3 2 1

D  
C  
B  
A

D  
C  
B  
A