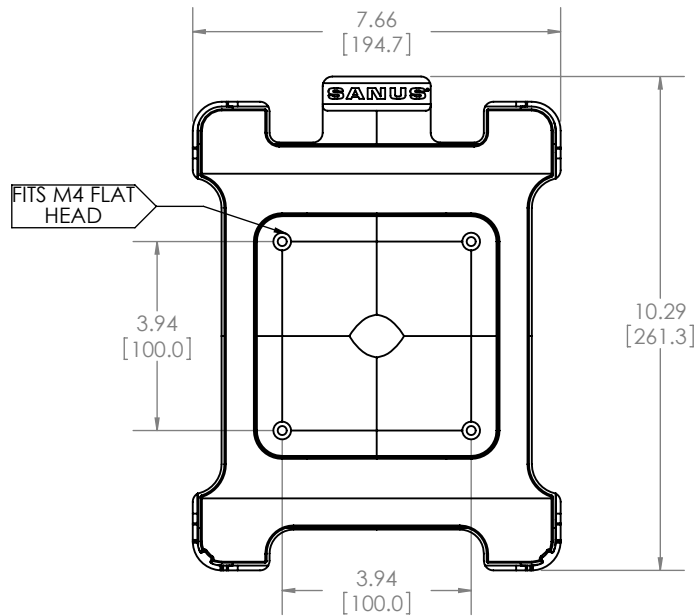
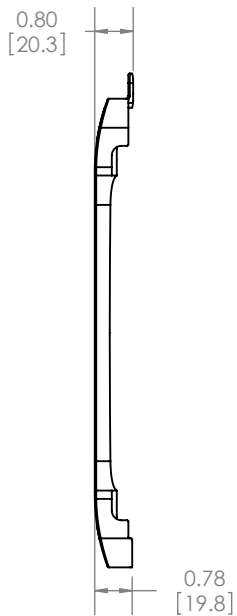
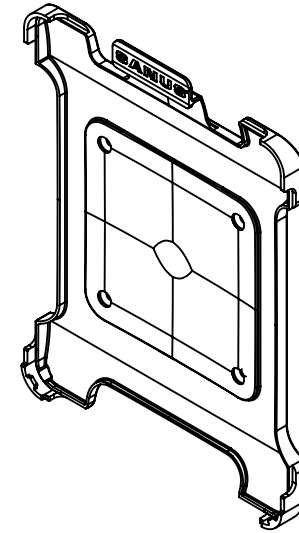


FITS FIRST GENERATION IPAD ONLY



<p><b>PROPRIETARY AND CONFIDENTIAL</b></p> <p>THE INFORMATION CONTAINED IN THIS DRAWING IS THE SOLE PROPERTY OF SANUS SYSTEMS, A PRODUCT DIVISION OF MILESTONE AV TECHNOLOGIES. ANY REPRODUCTION IN PART OR AS A WHOLE WITHOUT THE WRITTEN PERMISSION OF SANUS SYSTEMS IS PROHIBITED.</p> <p>专有且机密资料</p> <p>本信息属 SANUS SYSTEMS 公司专属财产, 非经 SANUS SYSTEMS 书面许可, 严禁复制 其中任何内容</p>	NAME 姓名 DATE 日期		
	ENGINEER 工程师	JKV	
	DESIGNER 设计师	JKV	11/9/2010
	APPROVED 批准	PFT	11/9/2010
NOTES 注释:			DESCRIPTION 描述: Ipad Adapter Bracket and 3D Cup
TEMPLATE REV 模板修订版: 06	SCALE 比例 1:4	SHEET 1 OF 第 1	