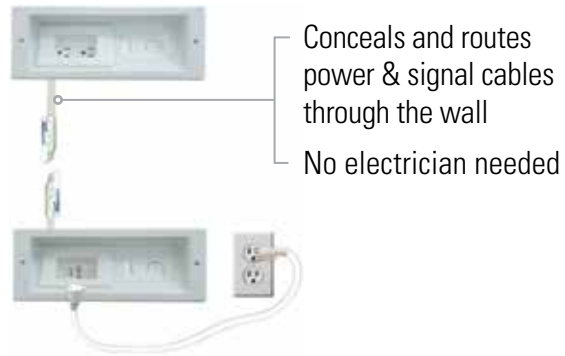


ROUGH OUT ACCESSORIES

ELM806 - In-Wall Cable Management



- Conceals and routes power & signal cables through the wall
- No electrician needed

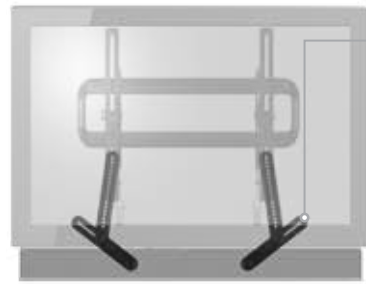
SA809 - Recessed Component Box



- Designed for in-wall use with SA206 EcoSystem Mini
- Includes three AC outlet spaces

AV ACCESSORIES

SA405 - Soundbar Speaker Mount



- Universally compatible with most flat-panel mounts & TVs

ELM501 - All-in-one IR Repeater



- Frequency range 30-60 KHz
- Control up to four components

ECOSYSTEM™

Simple power source for all low-voltage equipment in a rack. Eliminates the need for individual transformers.

CAPT01 - Multi-Volt Power Supply



- Thermostat kit monitors rack temperature and automatically powers and controls fans, task lights and work lights
- 4 USB Powered ports + 12-12V outlets
- Manages low voltage without needing to use large transformers

SA206 - EcoSystem™ Mini



- Same benefits of CAPT01
- Small enough to be placed in recessed box or behind wall mounted TVs or furniture

LEARN MORE

www.sanus.com m.sanus.com [SanusSystems](#) [SanusSystems](#) [Sanus](#)

© 2015 Milestone AV Technologies, a Pritzker Group Company. All Rights Reserved. SANUS and the SANUS Logo are registered trademarks of Milestone. All other brand names or marks are used for identification purposes and are trademarks of Milestone. All patents are protected under existing designations. Other patents pending. All information and designs contained are proprietary property of Milestone AV and may not be reproduced without express written consent of Milestone AV Technologies.

info@sanus.com | PHONE 800.359.5520 | FAX 651.636.0367

1015

SANUS®



PROFESSIONAL SERIES

WHY CHOOSE SANUS?



SAFETY TESTED

Safety is a top priority at SANUS, so our products are held to the highest safety standards available, with most products being UL2442 compliant.



PROBLEM SOLVING

By working side-by-side with professional installers, we've taken real challenges and created practical solutions to any AV installation problems. We're there for you when you need us, with in-house CTS certified agents available to you Monday-Friday from 8am-9pm CST, and Saturday-Sunday from 10:30am-7pm CST at 1-844-655-6125.



PATENTED TECHNOLOGY

From post-installation micro-adjustments using ProSet™ technology, to concealing surge protectors and other small devices directly behind TVs with the ClickFit™ system, our products are engineered to create a flawless look with the fastest installation, every single time.



FUNCTIONAL RACK. BEAUTIFUL FURNITURE.



CADENZA61-CC1 (front)



Interchangeable wood or metal mesh panels included



Integrated racking with 22U spaces (11U per side)



Features built-in ventilation and the ability to add cooling fans, keeping gear cool and running strong

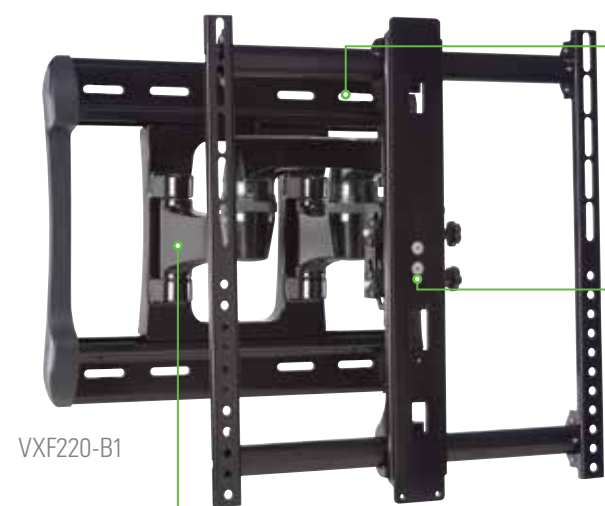


CADENZA61-CC1 (back)

INSTALLER TIP: Combine any Cadenza Collection piece with the SANUS EcoSystem™ for an easy, single power source solution for all low-voltage power needs.

SOLID MOUNTS WITH ALL THE BEST FEATURES.

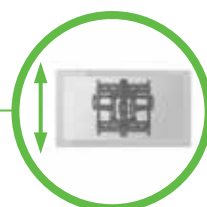
FULL-MOTION TV WALL MOUNT



VXF220-B1



Slotted holes on wall plate to accommodate non-standard stud spacing



Height adjustment to ensure perfect wall placement or recessed fit



Complete in-arm cable management

INSTALLER TIP: The ELM806 In-Wall Cable Management system conceals and routes cables through the wall for a flawless look

HIGH PERFORMANCE RACKS.



CFR2144-B1



CFR1620-B1



Entire structure, complete with screws, removable shelves and blanking panels, ships in one box



Self-aligning rack can be stacked using only four bolts for quick and easy stacking up to 40U



Large side panels allow greater customization