

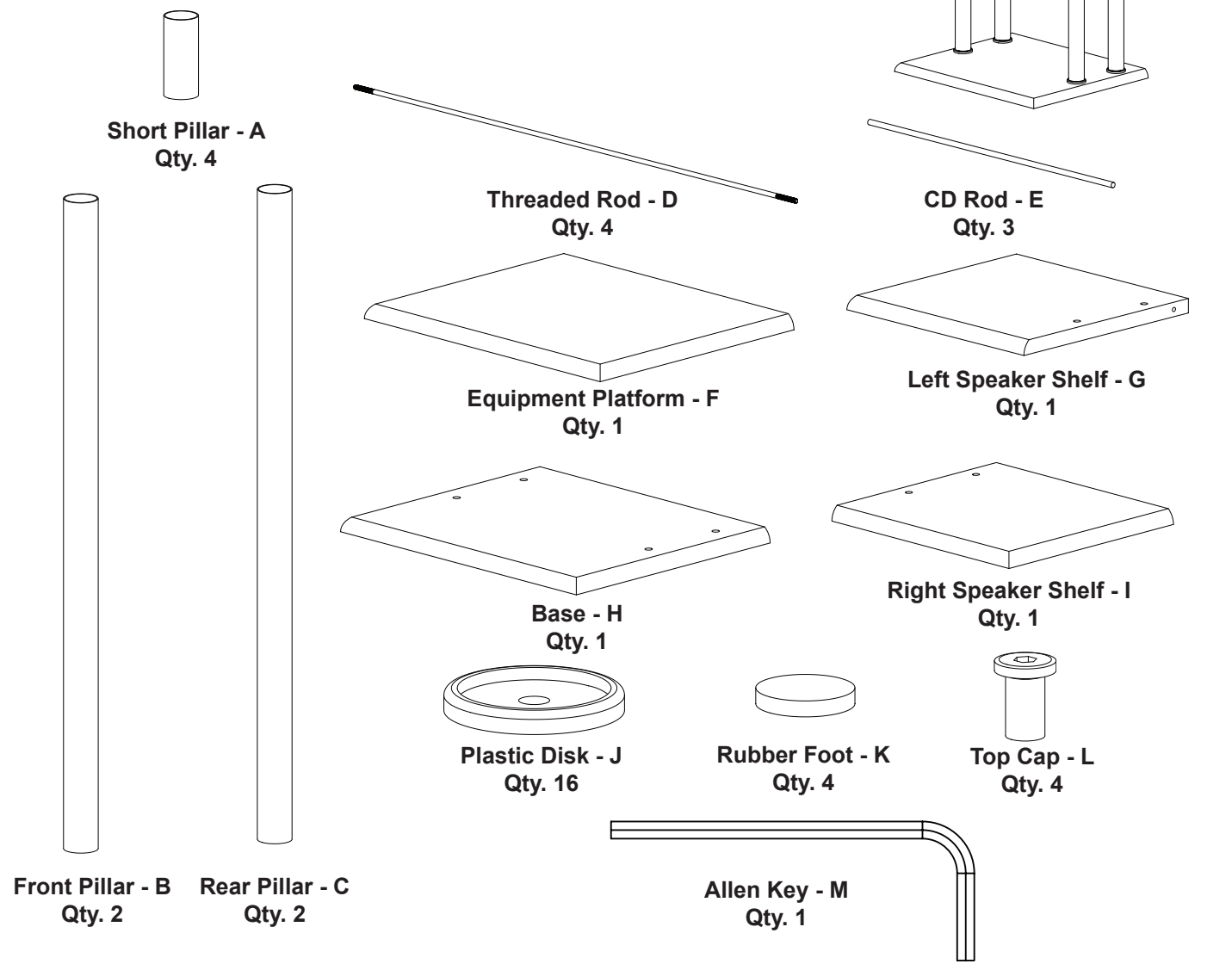
SANUS SYSTEMS

THE UNION OF FORM AND FUNCTION

Assembly Instructions for Model: AFMini

Thank you for choosing the Sanus Systems Model AFMini. Every effort has been made to ensure that your Sanus Systems furniture is perfect. If you have questions or feel that there is a problem of any kind, please contact us at 800-359-5520 or at www.sanus.com. We can quickly help with any issues regarding assembly or missing parts. Replacement parts for Sanus systems products purchased through authorized dealers will be shipped directly to you.

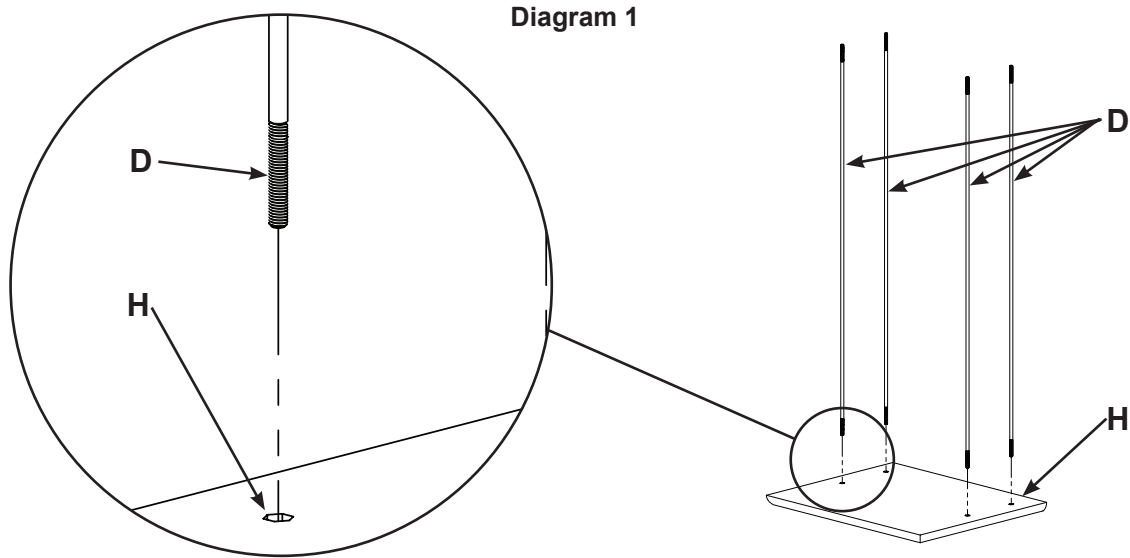
Supplied Parts List:



NOTE: You will assemble this product upside down. The Equipment Platform (F) has threaded metal inserts, this distinguishes it from the Base (H). Lay the Equipment Platform face down on a soft surface with the threaded inserts facing up and the square edge facing away from you.

Step 1 - Threaded Rod into Base

Thread the four Threaded Rods (D) into the metal inserts in the Base (H).

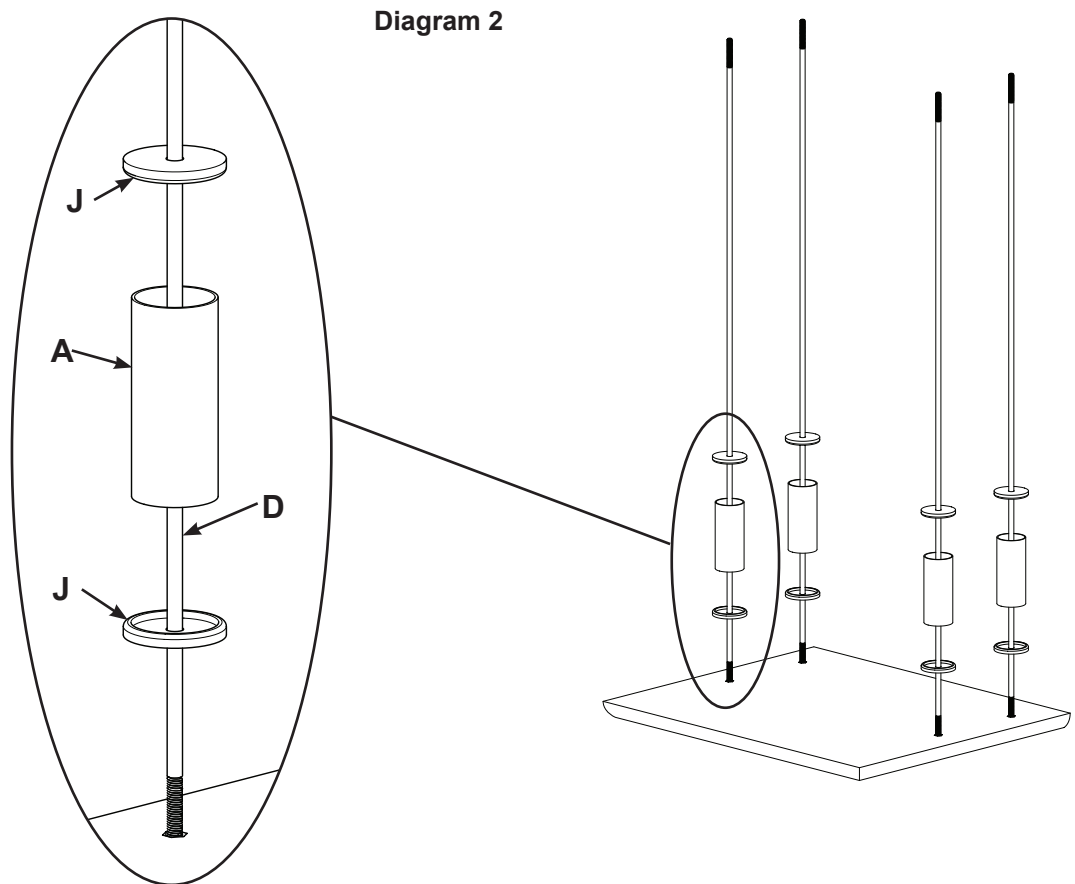


Step 2 - Slide Plastic Disk and Short Pillars over Threaded Rods

Slide a Plastic Disk (J) with its flat side facing down over each Threaded Rod (D).

Slide a Short Pillar (A) over each Threaded Rod (D) so that it is seated in the Plastic Disk (J).

Slide another Plastic Disk (J) with its flat side facing up over each Threaded Rod (D) so that it seats on top of each Short Pillar (A).



Step 3 - Install Speaker Shelves

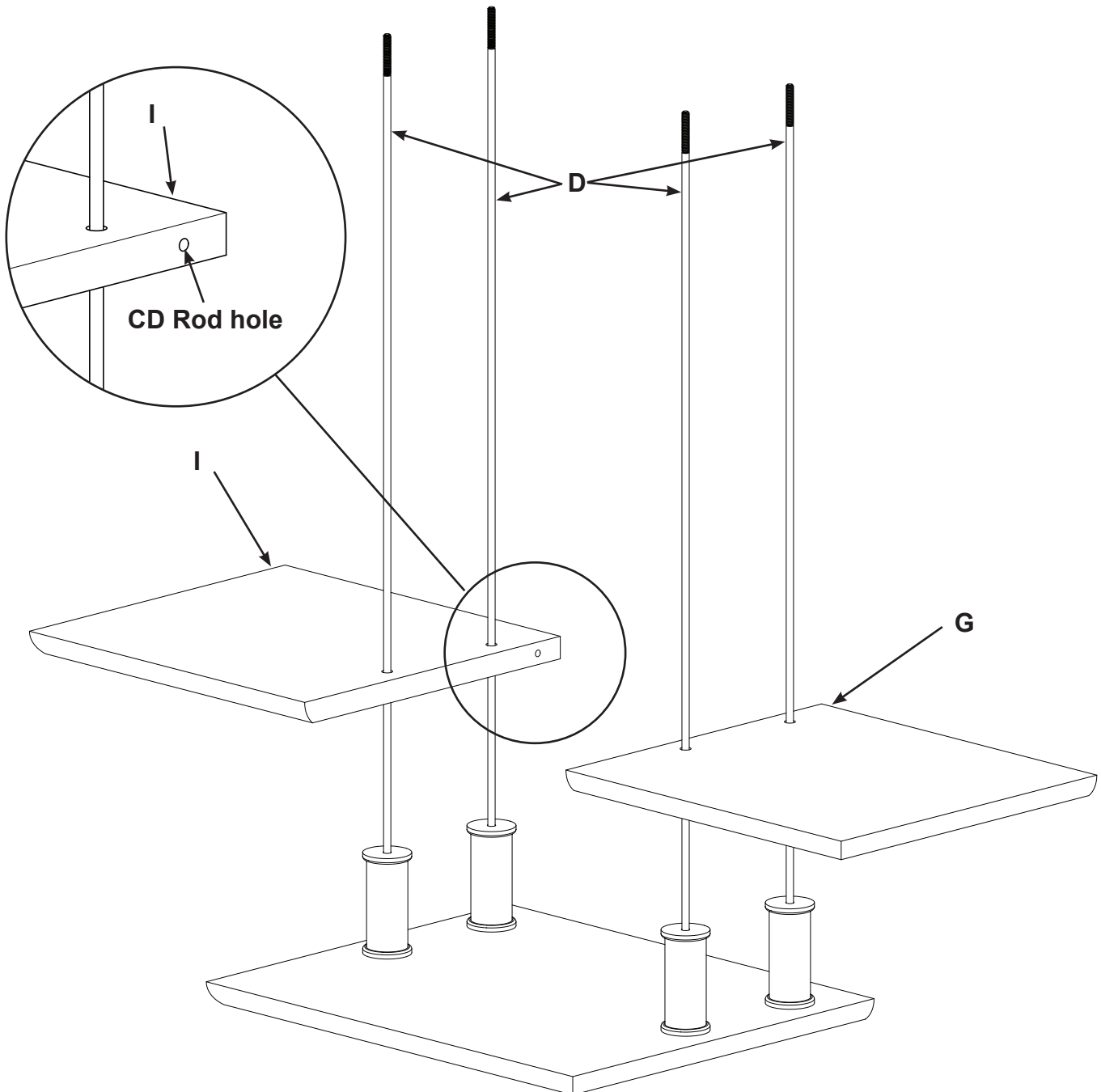
NOTE: Make sure the rounded edges of the two Speaker shelves (G & I) are facing down and the square edges are towards the rear.

Slide the Right Speaker Shelf (I) over two Threaded Rods (D) so that the hole for the CD Rod is towards the center of the AFMini.

Slide the Left Speaker Shelf (G) over two Threaded Rods (D) so that the hole for the CD Rod is directly opposite the CD Rod hole on the Right Speaker Shelf (I).

Use a book, tissue box, or VHS tape to support the Right and Left Speaker Shelves (I & G) and keep them from drooping.

Diagram 3



Step 4 - Slide Plastic Disk, Front Pillars, and Rear Pillars over Threaded Rods

Slide a Plastic Disk (J) with its flat side facing down over each Threaded Rod (D).

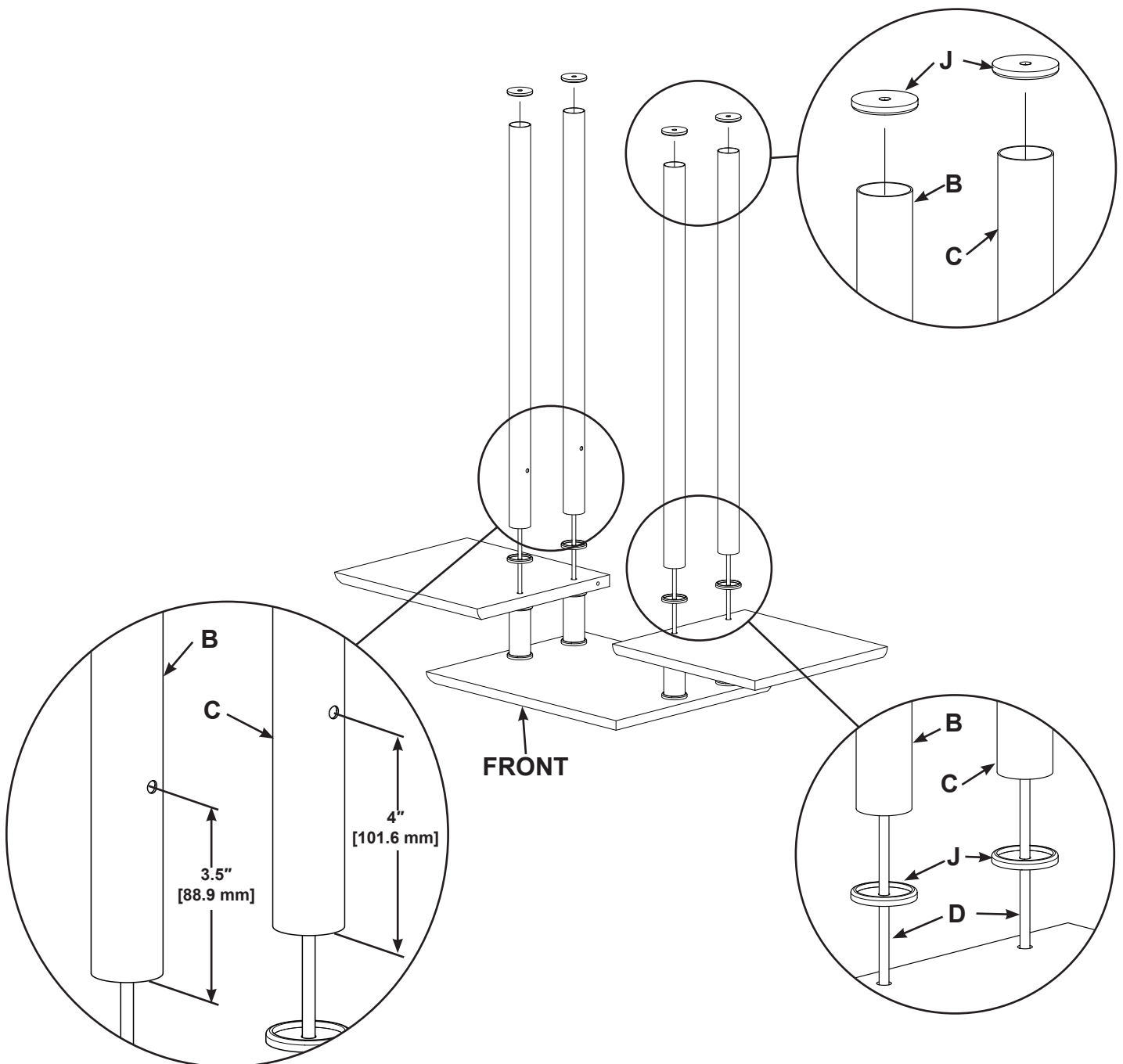
NOTE: The Front and Rear Pillars (B & C) are distinguishable by the fact that the 1/4" [6.4 mm] hole for the CD Rods in each Front Pillar (B) is 3.5" [88.9 mm] from the end and the hole in each Rear Pillar (C) is 4" [101.6 mm] from the end.

Slide a Front Pillar (B) over the two front Threaded Rods (D), so they are seated in the Plastic Disk (J).

Slide a Rear Pillar (C) over the two rear Threaded Rods (D), so they are seated in the Plastic Disk (J).

Slide another Plastic Disk (J) with its flat side facing up over each Threaded Rod (D) so that it seats on top of the Front and Rear Pillars (B & C).

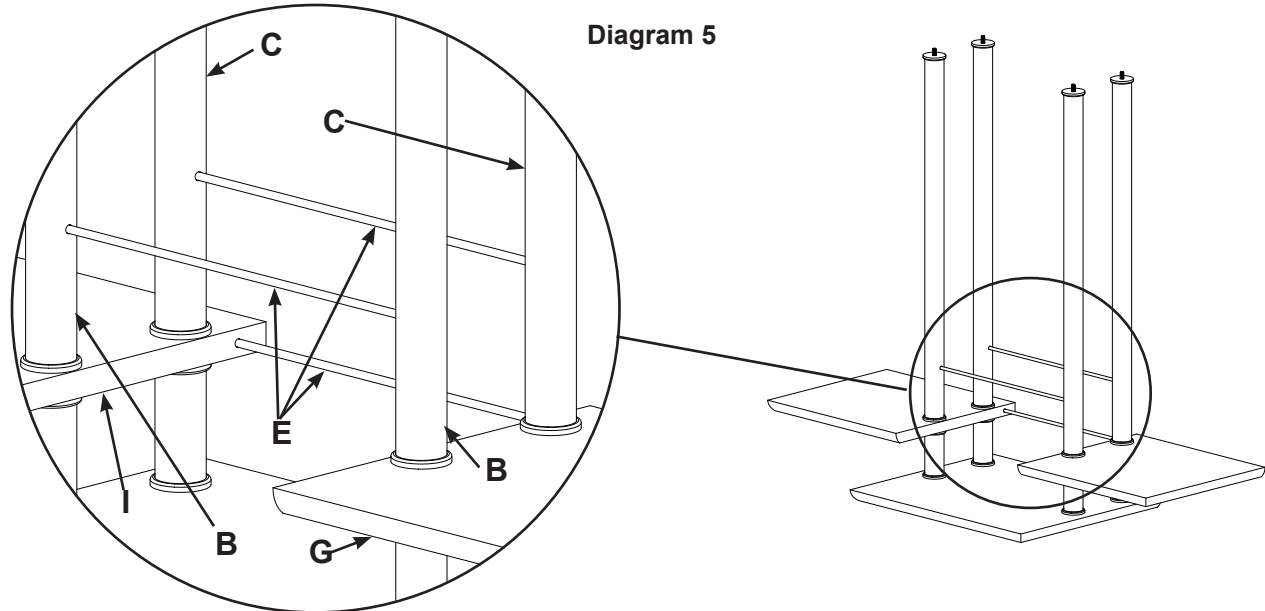
Diagram 4



Step 5 - Install CD Rods

Install a CD Rod (E) into the holes in the rear of the Left and Right Speaker Shelves (G & I).

Install a CD Rod (E) into the holes in the Front and Rear Pillars (B & C).



Step 6 - Attach Base and Rubber Feet

NOTE: The holes in the Base (H) are toward the back.

Align the Base (H) as shown in Diagram 6A; then, place the Base onto the Front and Rear Pillars (B & C) and over the Threaded Rods (D).

CAUTION: Do not over tighten the Top Caps (L). Over tightening will damage the threads,

Thread a Top Cap (L) onto each Threaded Rod (D); then, using the Allen Key, tighten the Top Caps to secure the Base (H) to the Front and rear Pillars (B & C) as shown in Diagram 6A.

Remove the backing material from the four Rubber Feet (K) to expose the adhesive on them; then, attach a Rubber Foot to each corner of the Base (H) as shown in Diagram 6B.

