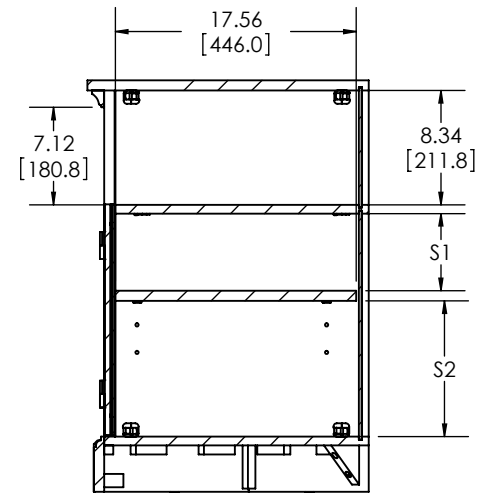


SHELF HEIGHT VARIATIONS			
	A	B	C
S1	5.43 [138.0]	7.40 [158.0]	9.37 [208.0]
S2	9.82 [249.4]	7.85 [199.4]	5.88 [149.4]



SECTION X-X

<p>PROPRIETARY AND CONFIDENTIAL</p> <p>THE INFORMATION CONTAINED IN THIS DRAWING IS THE SOLE PROPERTY OF SANUS SYSTEMS, A PRODUCT DIVISION OF MILESTONE AV TECHNOLOGIES. ANY REPRODUCTION IN PART OR AS A WHOLE WITHOUT THE WRITTEN PERMISSION OF SANUS SYSTEMS IS PROHIBITED.</p> <p>专有且机密资料</p> <p>本信息属 SANUS SYSTEMS 公司专属财产, 非经 SANUS SYSTEMS 书面许可, 严禁复制其中任何内容</p>	NAME 姓名	DATE 日期	<p>SANUS[®]</p> <p>S Y S T E M S</p> <p>DESCRIPTION 描述:</p> <p>48" Wood Corner Unit</p>	
	ENGINEER 工程师	JKV		4/30/2010
	DESIGNER 设计师	JBA		07/01/2010
	APPROVED 批准	SG		5/10/2010
NOTES 注释:				
TEMPLATE REV 模板修订版: 06	SCALE 比例: 1:14	SHEET 1 OF 第 1	<p>SIZE 尺寸</p> <p>A</p>	
			<p>DWG. NO. 图纸编号</p> <p>BFAV48 Cutsheet</p>	
			<p>REV 修订</p> <p>00</p>	