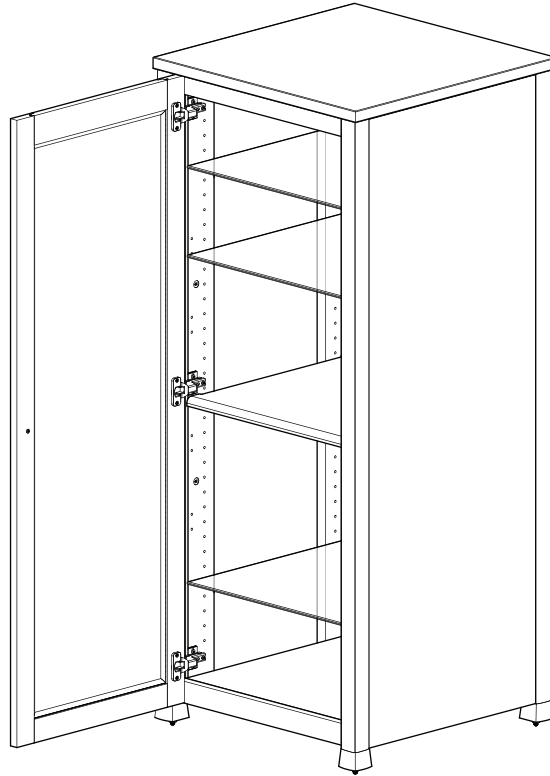


SANUS | SYSTEMS

CFA56

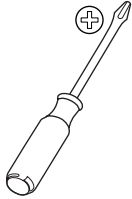
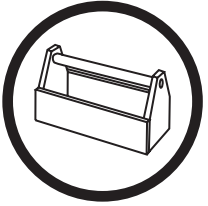
(6901-100095 <02>)



Thank you for choosing Sanus Systems Component Furniture. The CFA56 is designed to house components weighing up to 18.1 kg (40lbs) on the top shelf, 22.6 kg (50 lbs) on the middle shelf, and 34 kg (75 lbs) on the bottom shelf.

CAUTION

Do not use this product for any purpose not explicitly specified by Sanus Systems. Improper assembly may cause property damage or personal injury. If you do not understand these directions, or have doubts about the safety of the assembly, contact Sanus Systems Customer Service or call a qualified contractor. Sanus Systems is not liable for damage or injury caused by incorrect assembly or use.



Supplied Parts and Hardware

Before starting assembly, verify all parts are included and undamaged. If any parts are missing or damaged, do not return the item to your dealer; contact Sanus Systems Customer Service. Never use damaged parts!

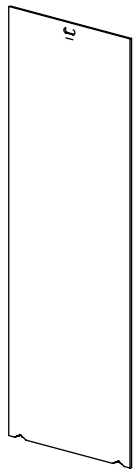


WARNING

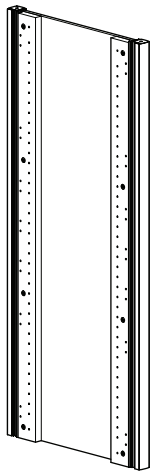
This product contains small items that could be a choking hazard if swallowed. Keep these items away from young children!



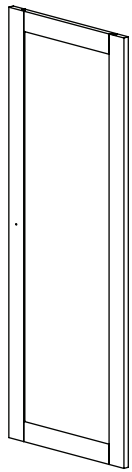
Hardware and procedures for multiple assembly options are included. When you see this symbol, choose the correct configuration to suit your needs. Not all hardware included will be used.



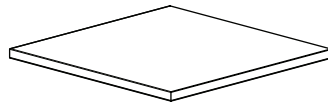
[01] x 1



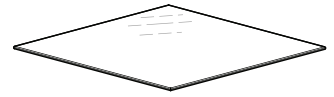
[02] x 2



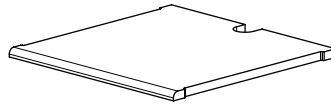
[03] x 1



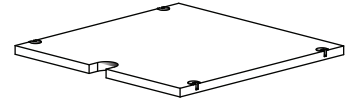
[04] x 1



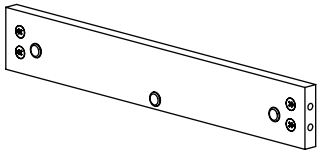
[05] x 3



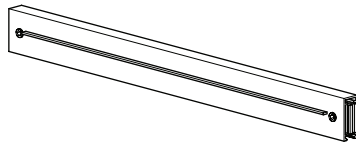
[06] x 1



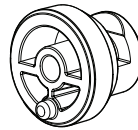
[07] x 1



[08] x 2



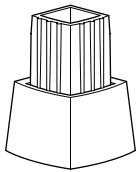
[09] x 2



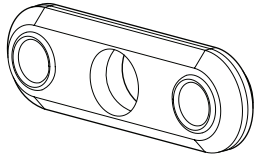
[10] x 2



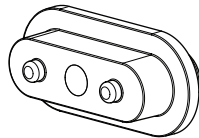
[11] x 4



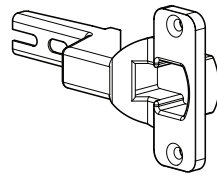
[12] x 4



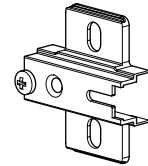
[13] x 1



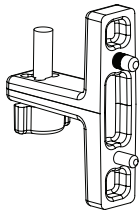
[14] x 1



[15] x 3



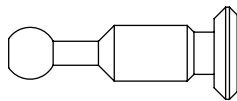
[16] x 3



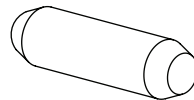
[17] x 4



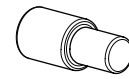
[18] x 1



[19] x 8



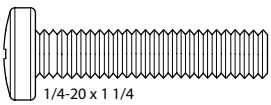
[20] x 4



[21] x 12

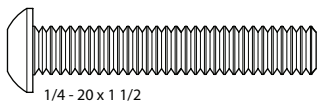


[22] x 4



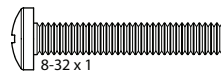
1/4-20 x 1 1/4

[23] x 2



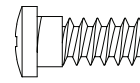
1/4 - 20 x 1 1/2

[24] x 1

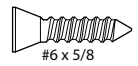


8-32 x 1

[25] x 1

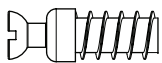


[26] x 6



#6 x 5/8

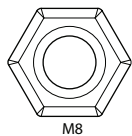
[27] x 6



[28] x 4

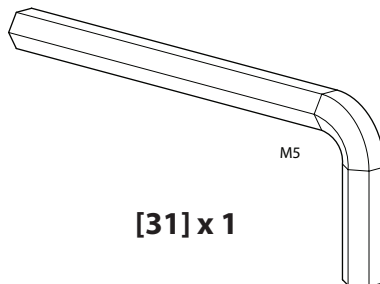


[29] x 4



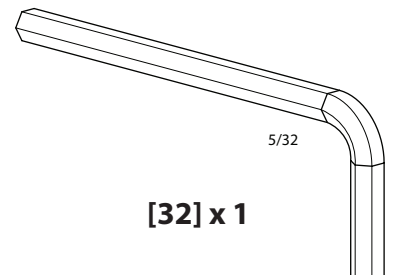
M8

[30] x 4



M5

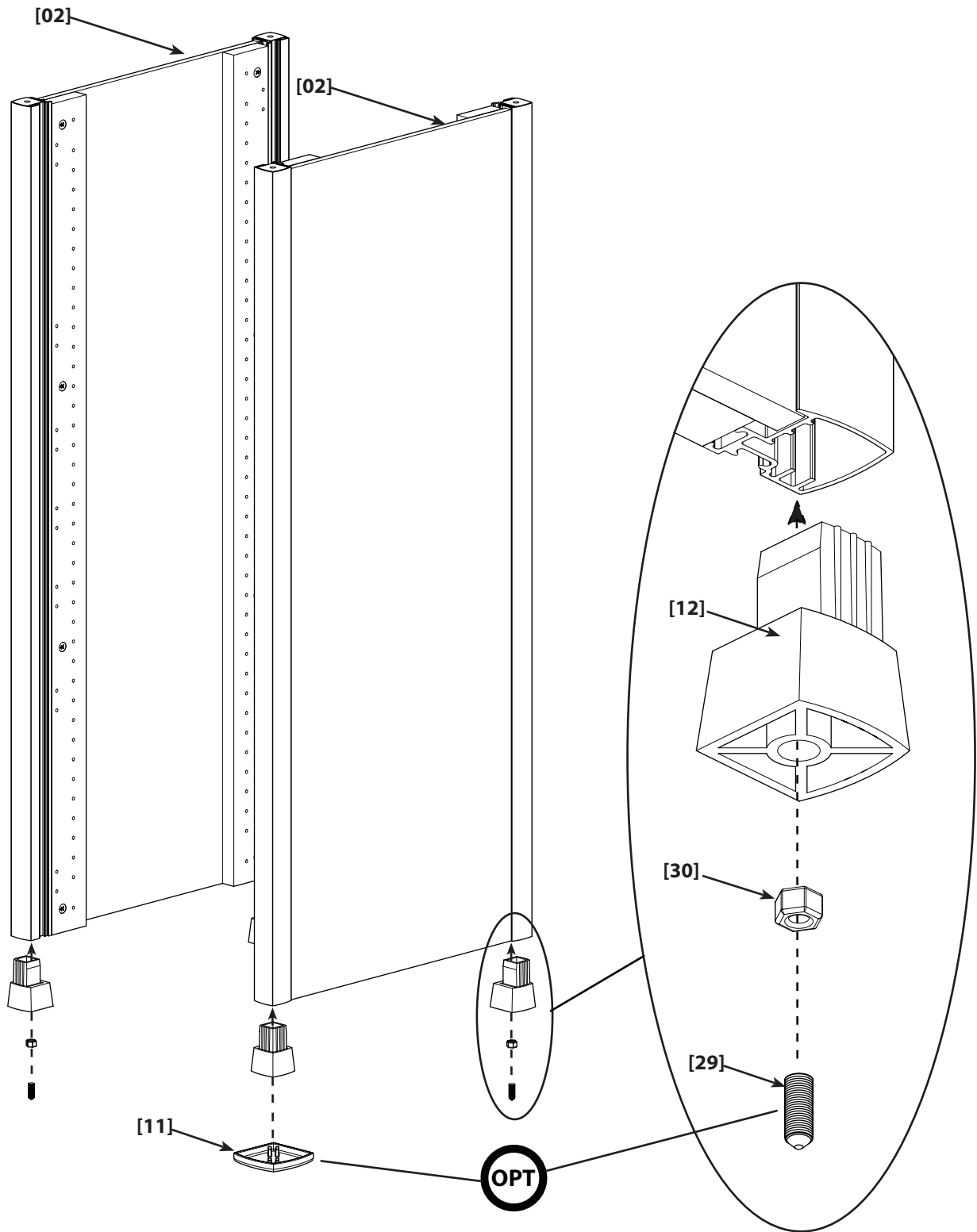
[31] x 1

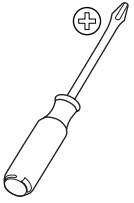


5/32

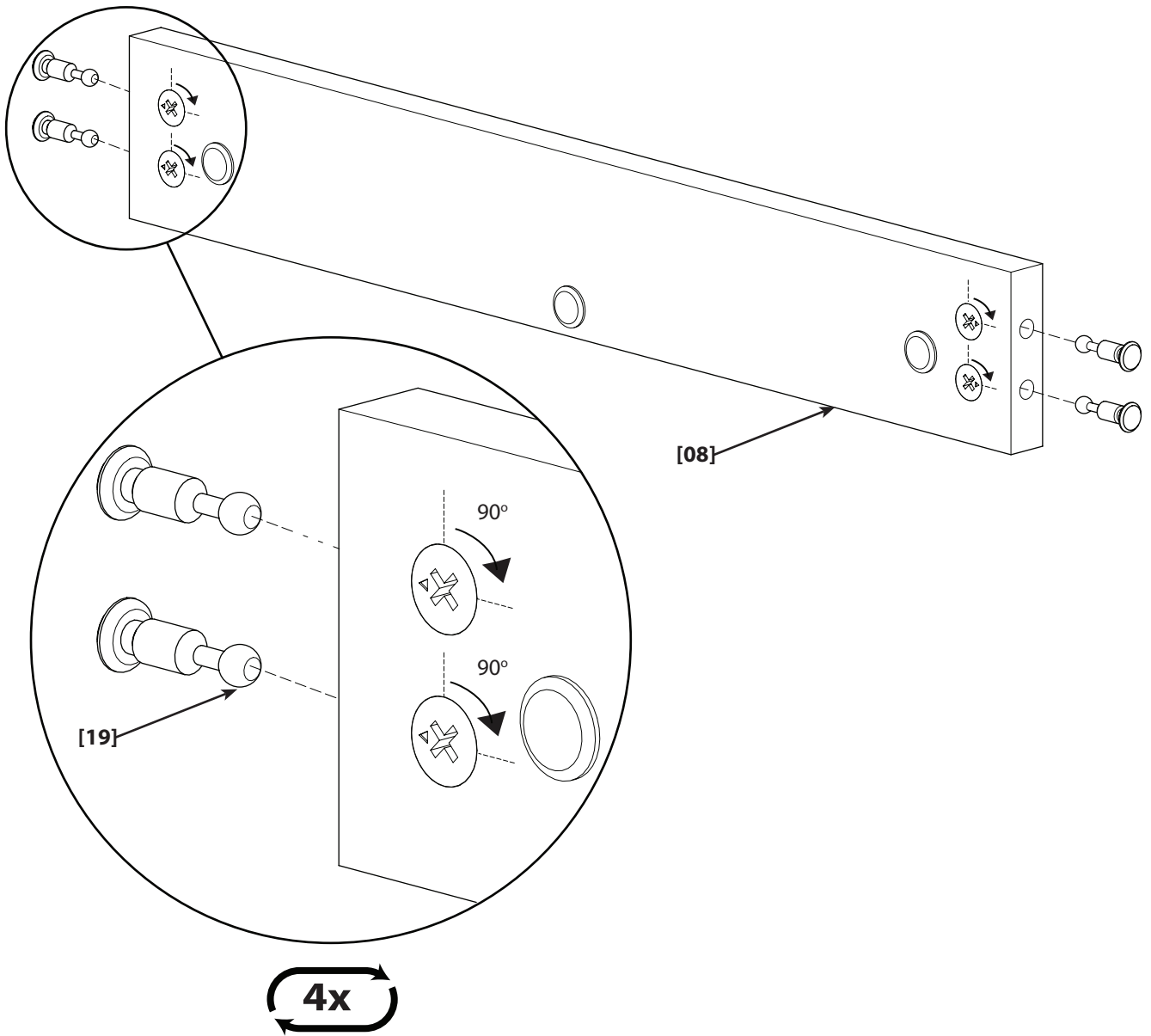
[32] x 1

1

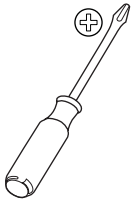




2

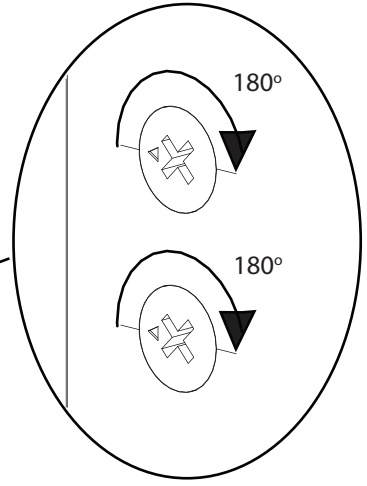
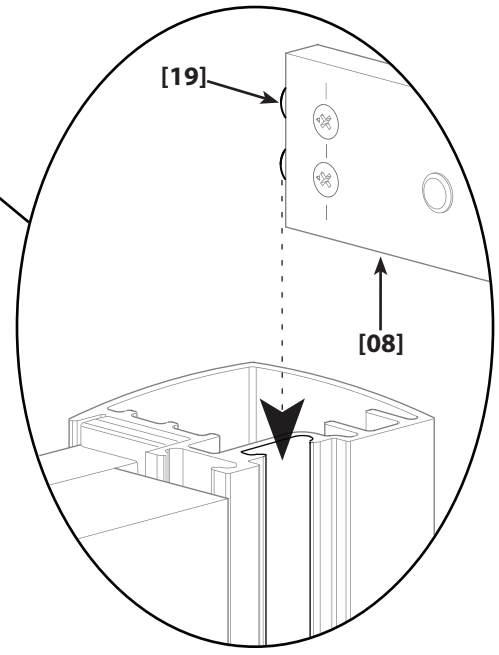
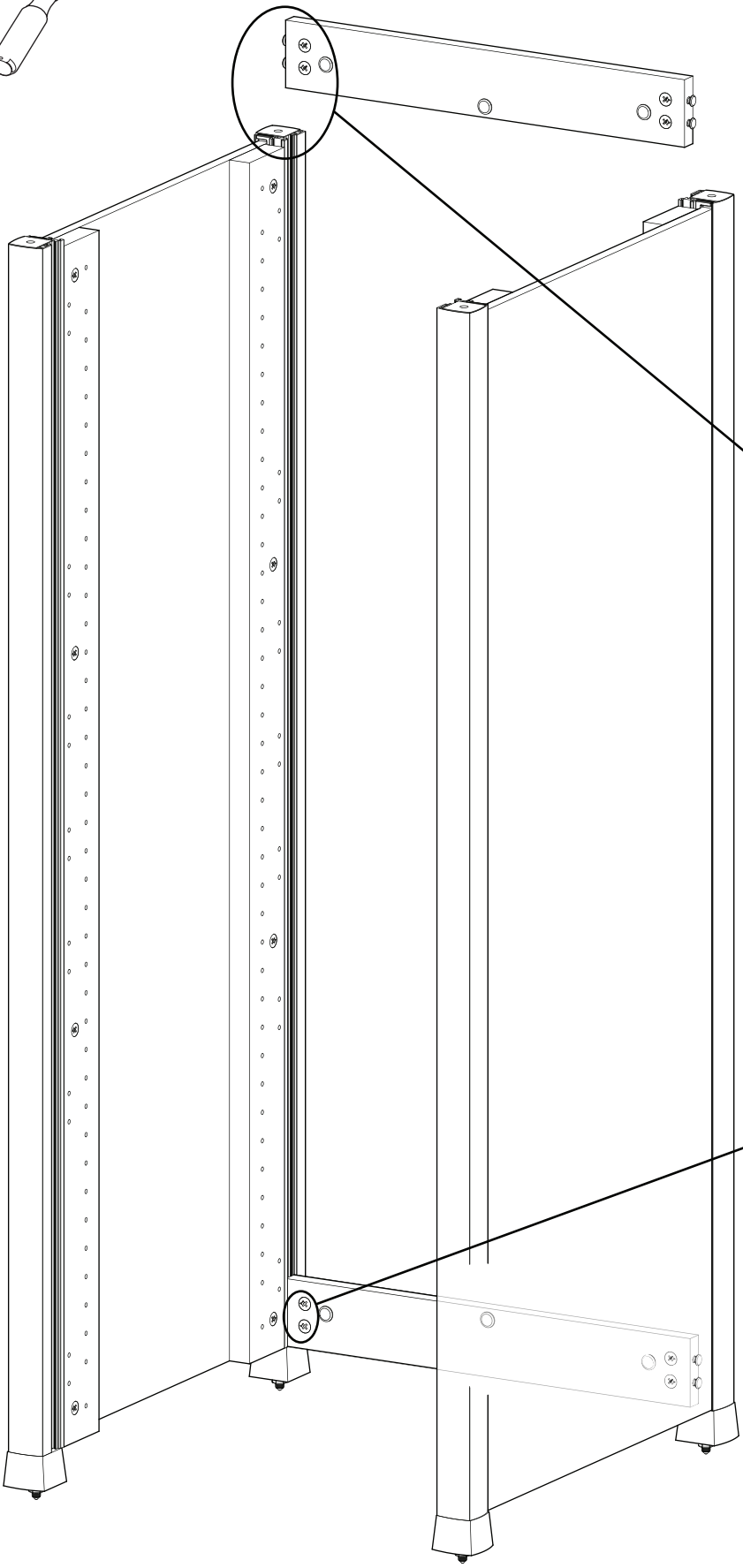


2.1



CAUTION

Back Braces (8) must be inserted as shown. Once in place, be sure the bottom braces are even with the tops of the feet, and the top braces with the tops of the sides.

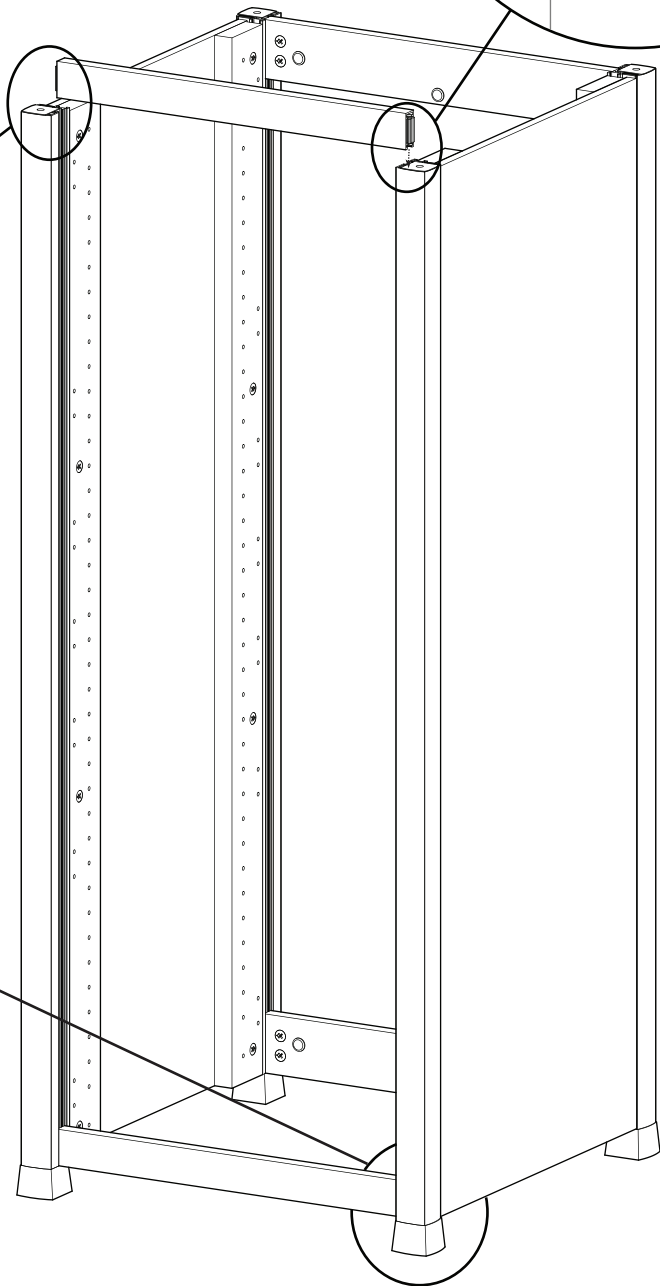
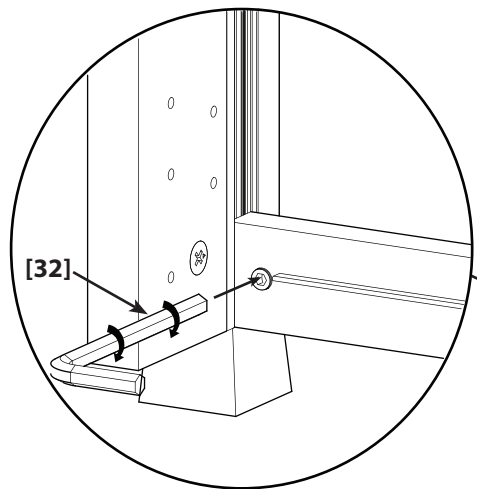
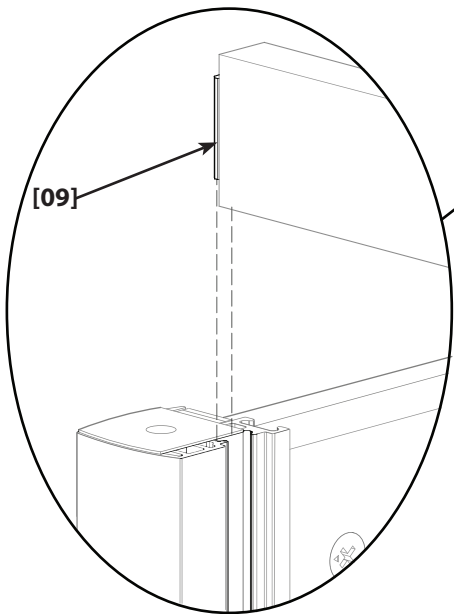
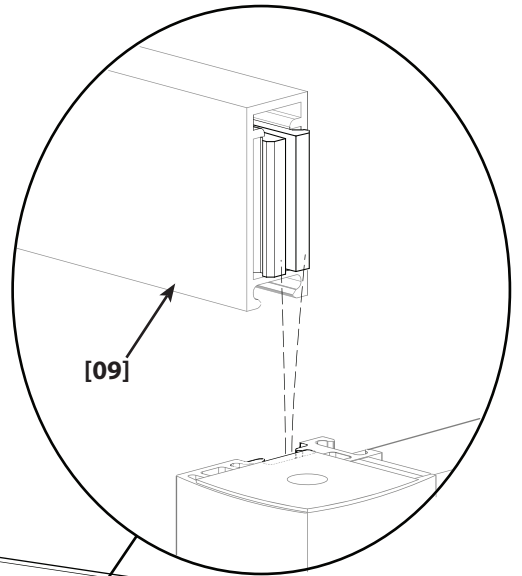


4x

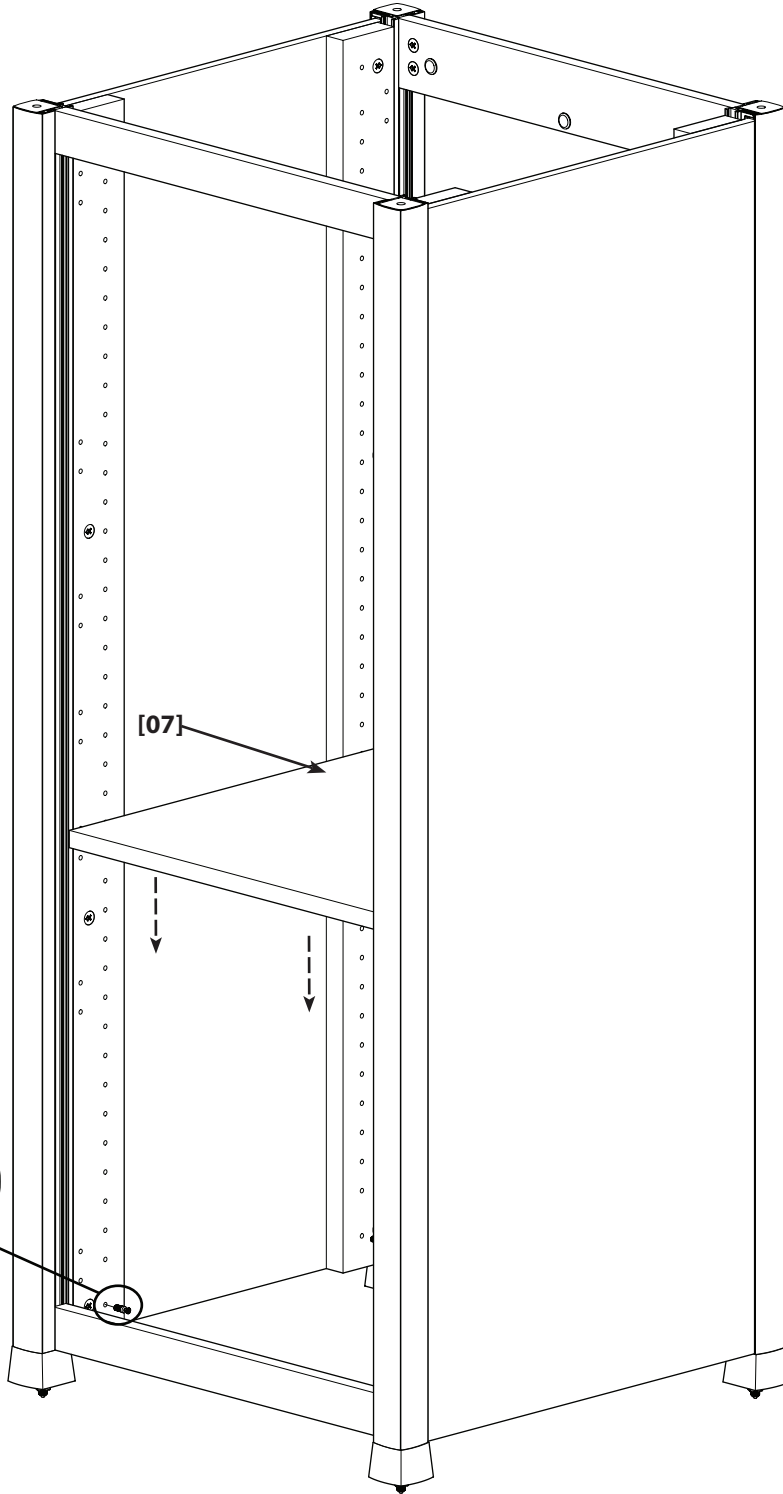
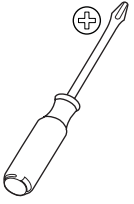
3

⚠ CAUTION

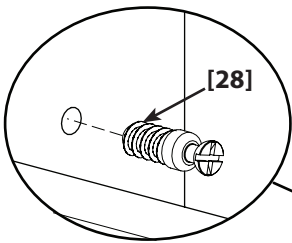
Front braces (9) must be inserted slot-down, as shown. Once in place, be sure the bottom braces are even with the tops of the feet, and the top braces with the tops of the sides.



4



[07]

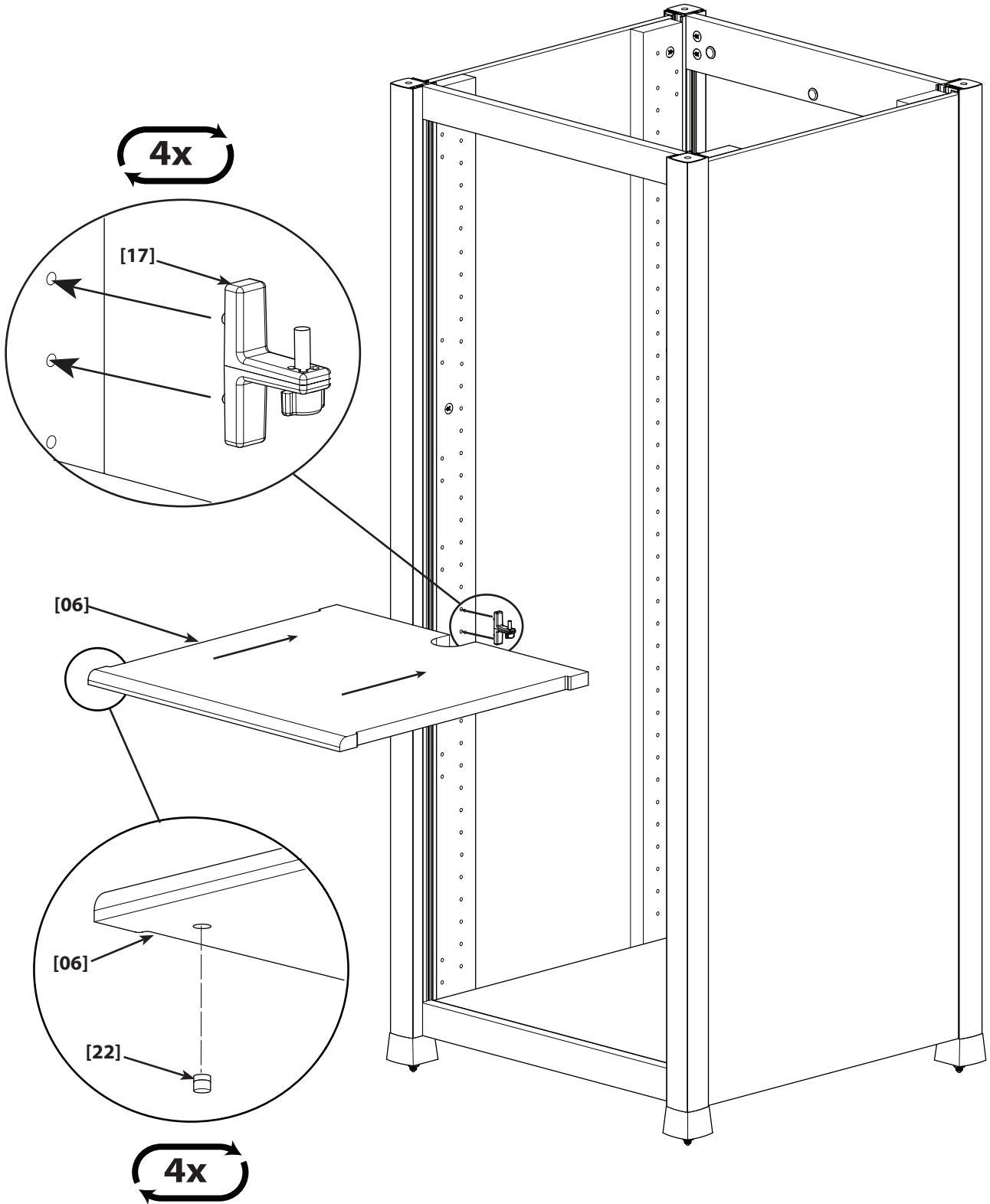


[28]

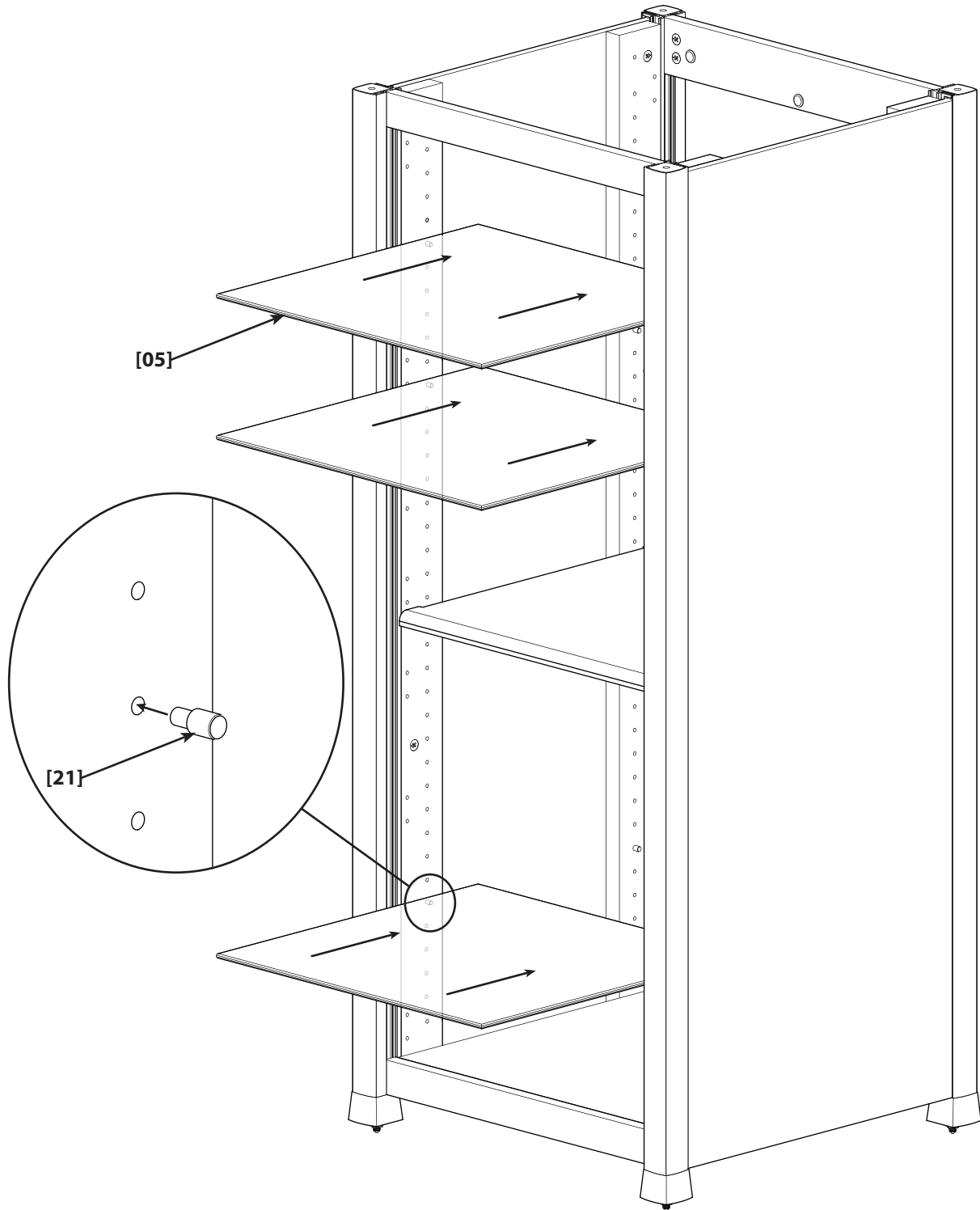
4x

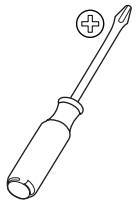
5

Vibration Dampening Shelf

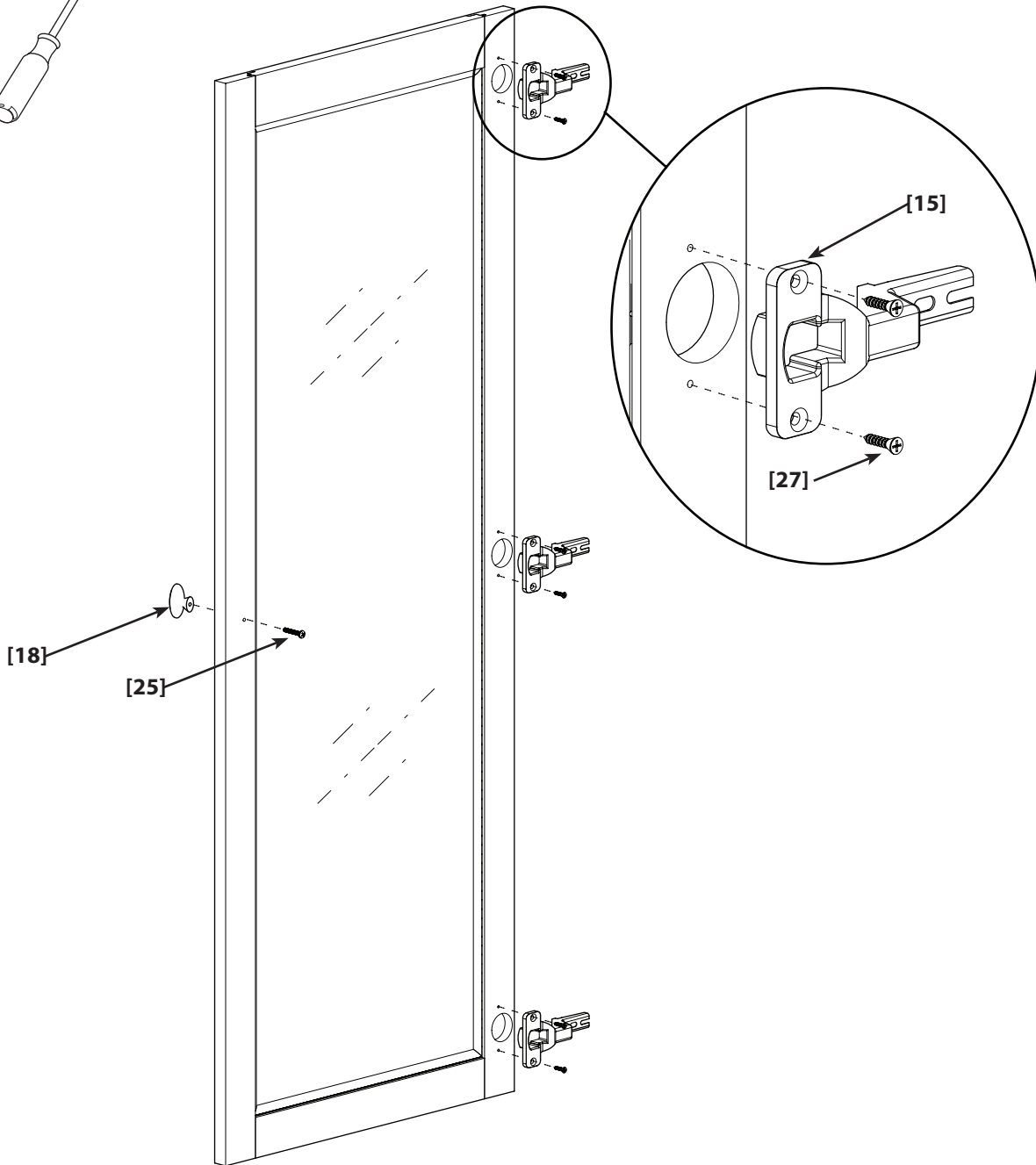


5.1

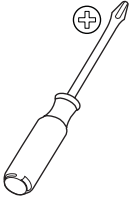




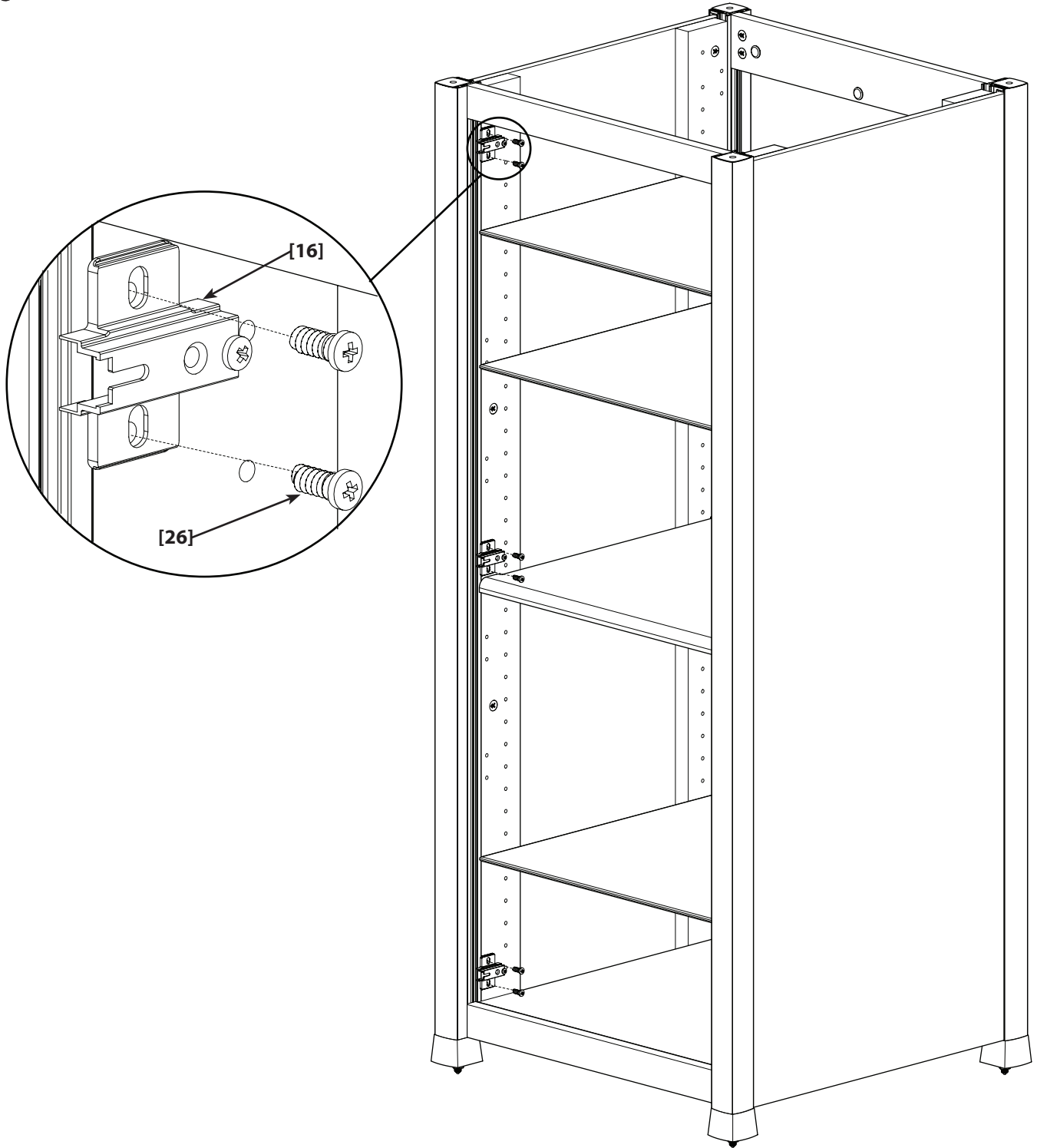
6



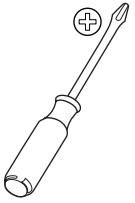
7



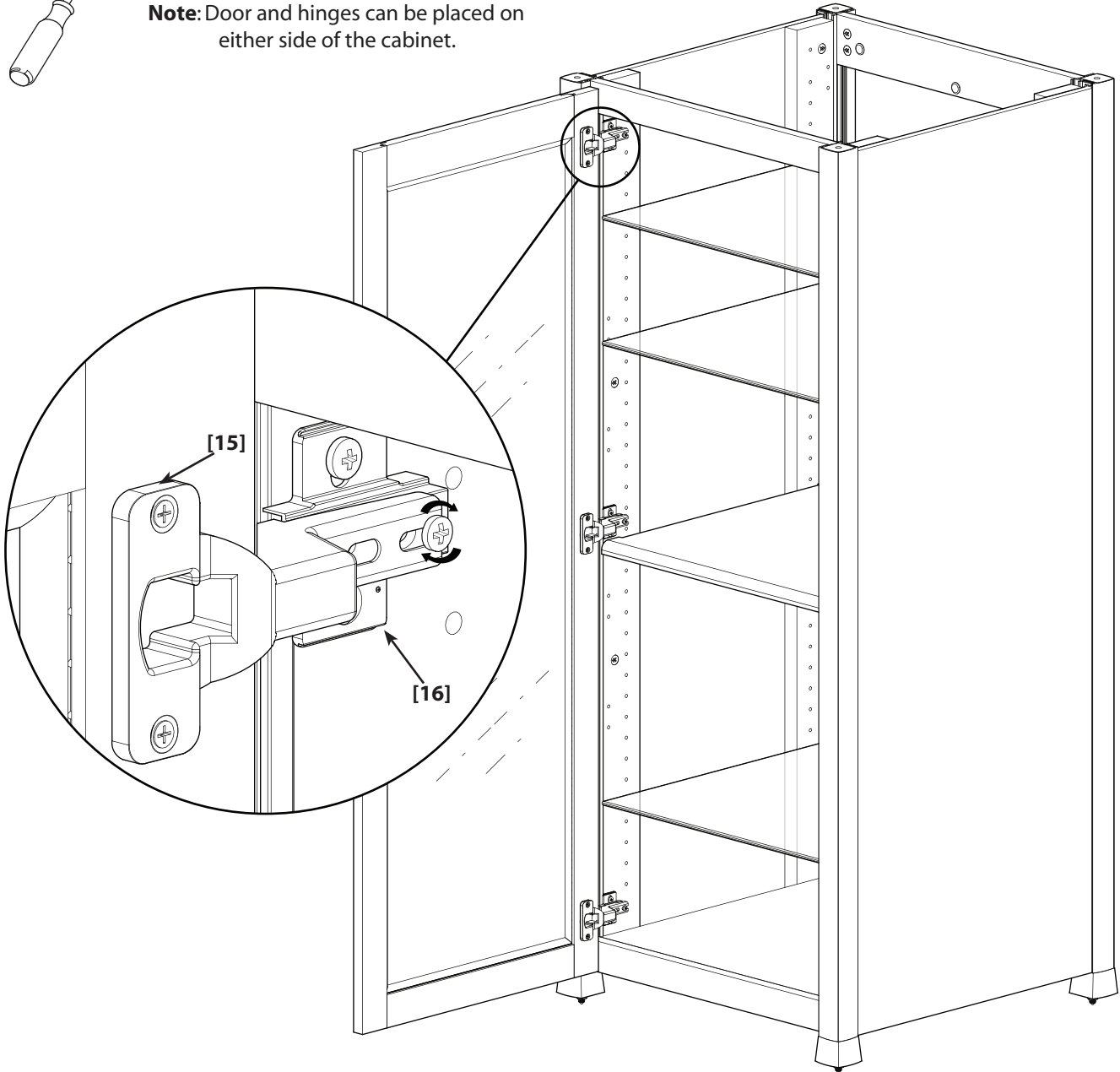
Note: Door and hinges can be placed on either side of the cabinet.



8

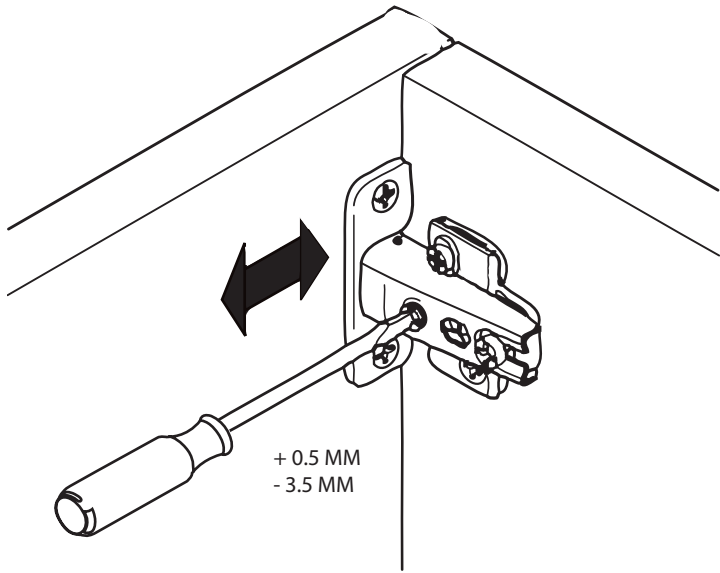


Note: Door and hinges can be placed on either side of the cabinet.

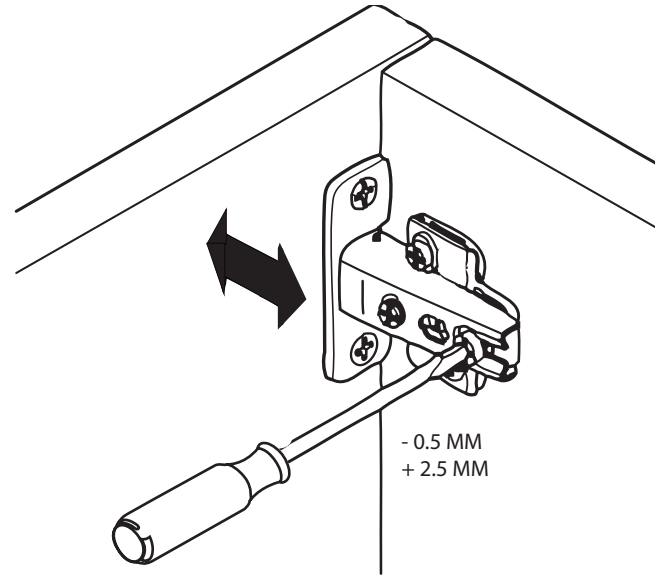


8.1

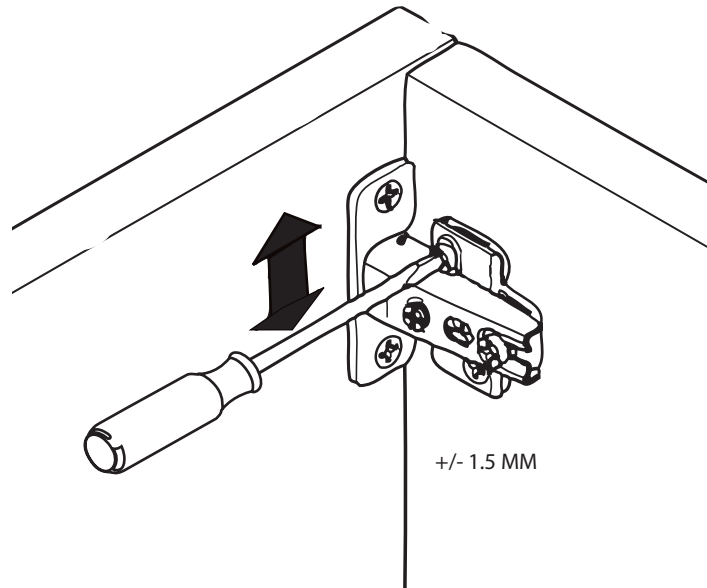
Side Adjustment



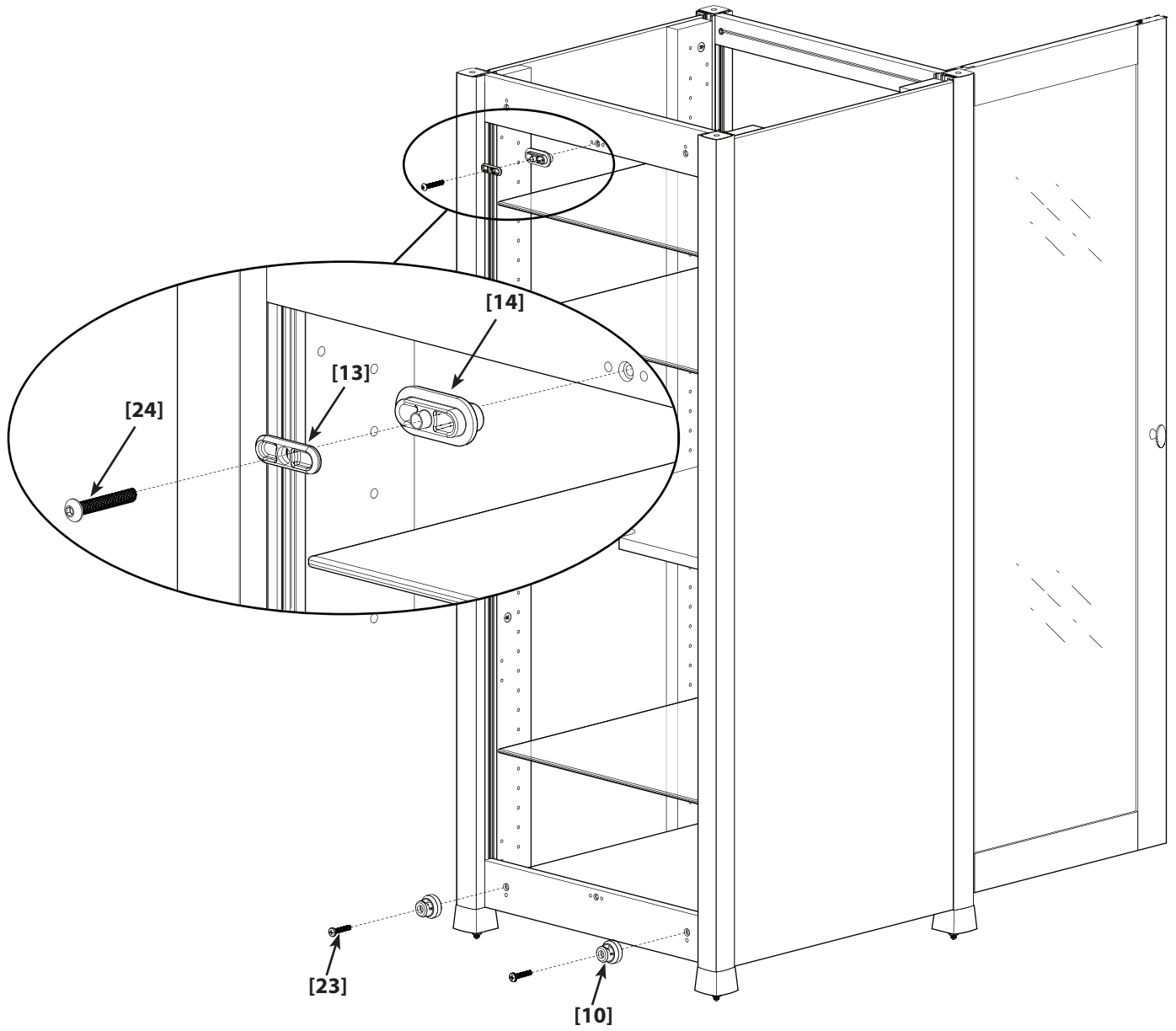
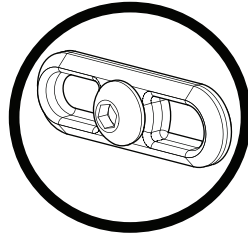
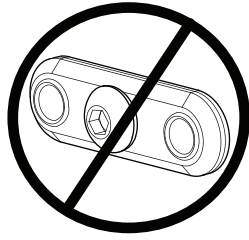
Depth Adjustment



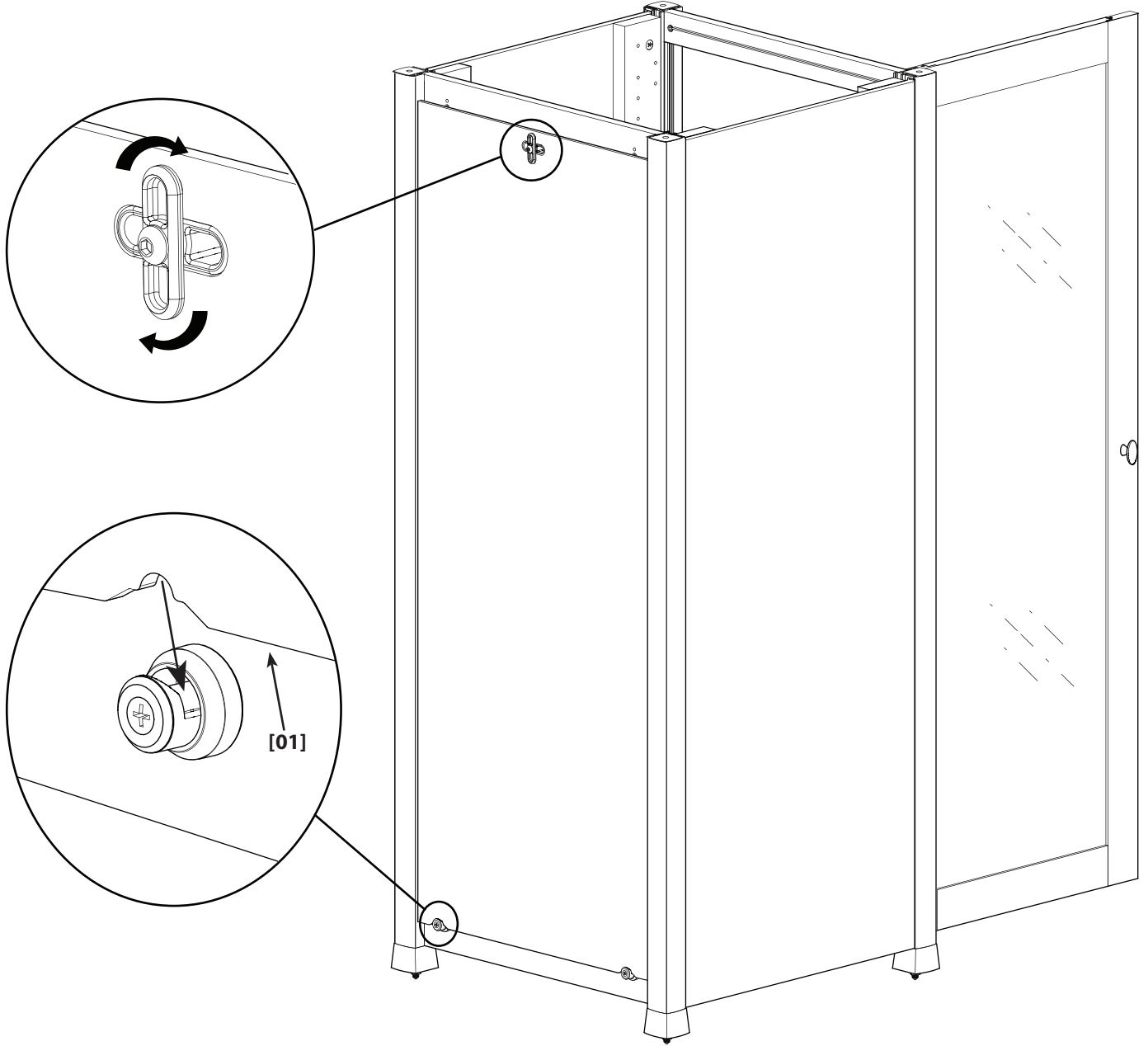
Height Adjustment



9

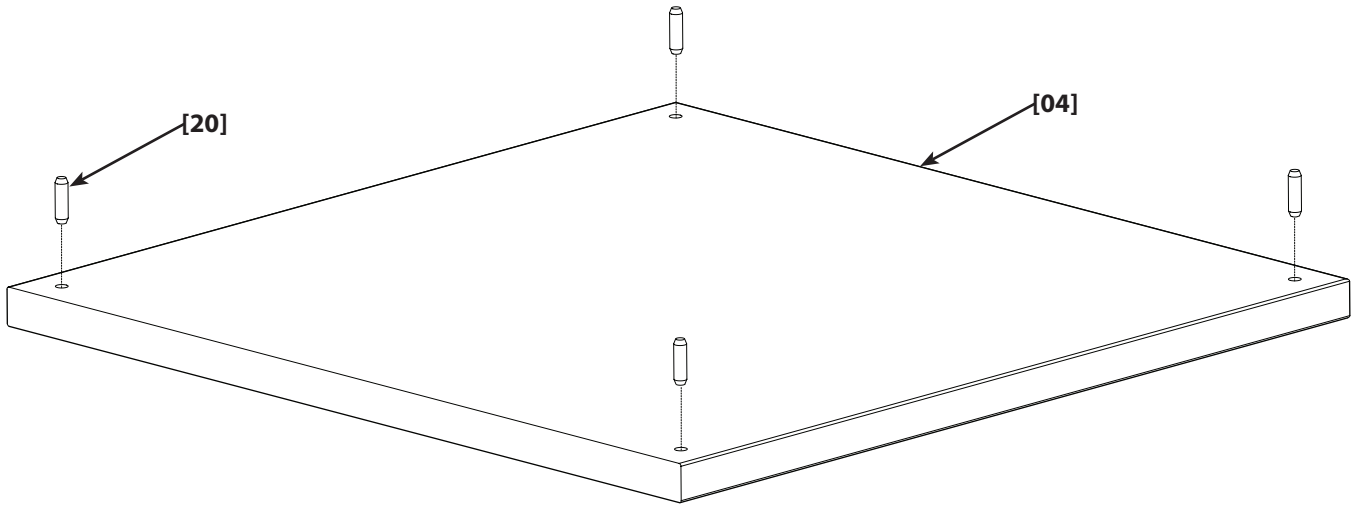


10

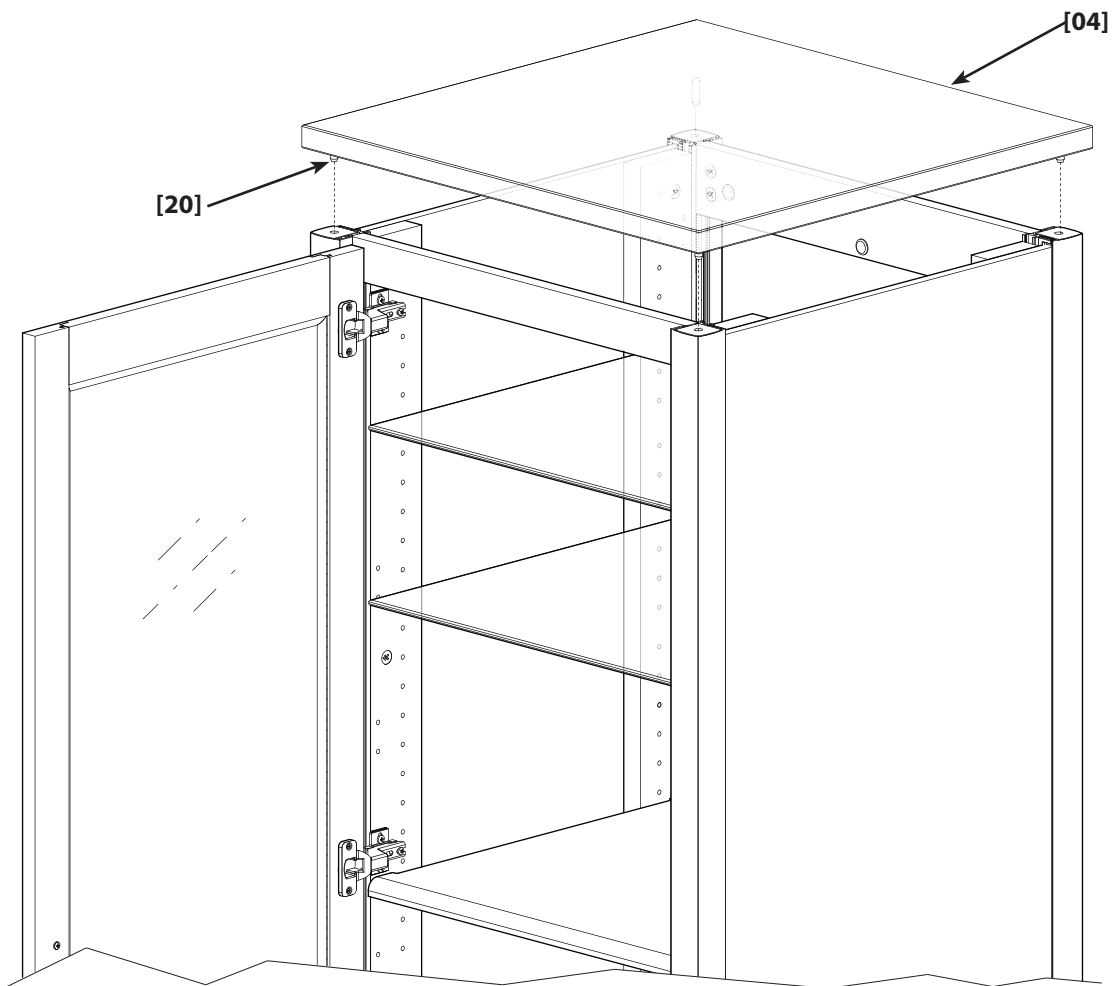


Note: Back Brace (08) may need to be adjusted.

11



11.1



CSAV, Inc. and its affiliated corporations and subsidiaries (collectively, "CSAV"), intend to make this manual accurate and complete. However, CSAV makes no claim that the information contained herein covers all details, conditions, or variations. Nor does it provide for every possible contingency in connection with the installation or use of this product. The information contained in this document is subject to change without notice or obligation of any kind. CSAV makes no representation of warranty, expressed or implied, regarding the information contained herein. CSAV assumes no responsibility for accuracy, completeness or sufficiency of the information contained in this document.