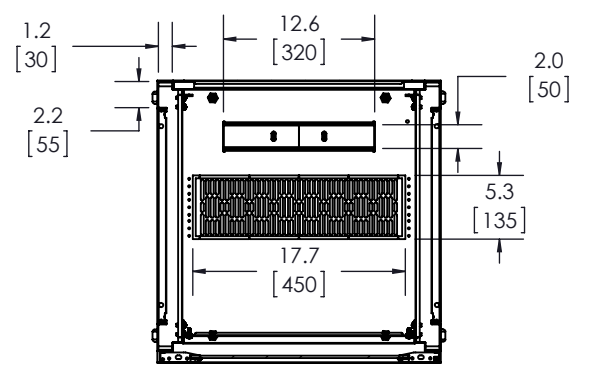
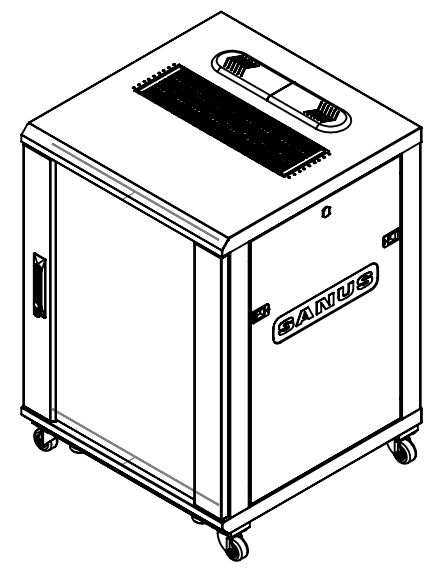


CONFIGURATION	
(TOP TO BOTTOM)	
2U OPEN SPACE	
1U 19" RACK SHELF 15" DEEP	
1U 19" RACK BLANKING PANEL	
1U OPEN SPACE	
1U 19" RACK SHELF 15" DEEP	
1U 19" RACK BLANKING PANEL	
1U OPEN SPACE	
2U 19" RACK SHELF 18" DEEP	
2U 19" RACK BLANKING PANEL	
1U OPEN SPACE	
2U 19" RACK SHELF 18" DEEP	
2U 19" RACK BLANKING PANEL	



SECTION A-A

<p>THE INFORMATION AND DESIGNS CONTAINED IN THIS DRAWING ARE CONFIDENTIAL AND THE PROPRIETARY PROPERTY OF MILESTONE AV TECHNOLOGIES NEITHER THIS DESIGN NOR ANY INFORMATION CONTAINED IN THIS DRAWING MAY BE REPRODUCED OR DISCLOSED TO OTHERS WITHOUT THE EXPRESS WRITTEN CONSENT OF MILESTONE AV TECHNOLOGIES. 本图纸所包含的信息和设计均系 Milestone 机密和知识产权, 本图纸包含的设计和信息的在未经 Milestone 允许情况下均不得复制或泄露</p>			CAD GENERATED DRAWING, DO NOT MANUALLY UPDATE. CAD 制图图, 非手工更新		<p>6436 CITY WEST PKWY EDEN PRAIRIE MN, 55344 PHONE: 866-977-3901 FAX: 877-894-6918</p>		
			DRAWN BY 绘图者	JA		7/29/2014	DESCRIPTION 描述
			ENG APPROVAL 工程批准			<p>CFR2115</p>	
			MFG APPROVAL 制造批准				
QA APPROVAL 品质批准			SHEET 清 1 OF 单 1		SCALE 比例 1:16	SIZER 寸 DWG. NO. 图纸编号 B 6805-002141	REV. 修订 00