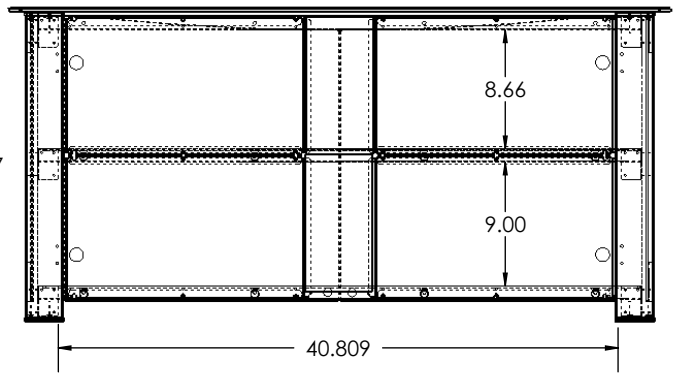
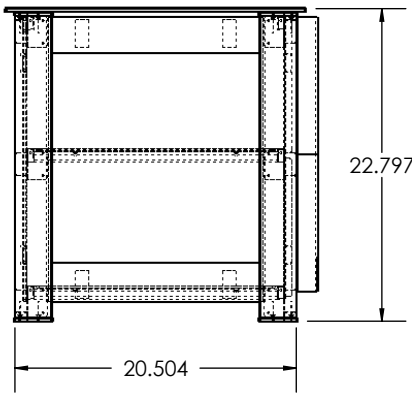
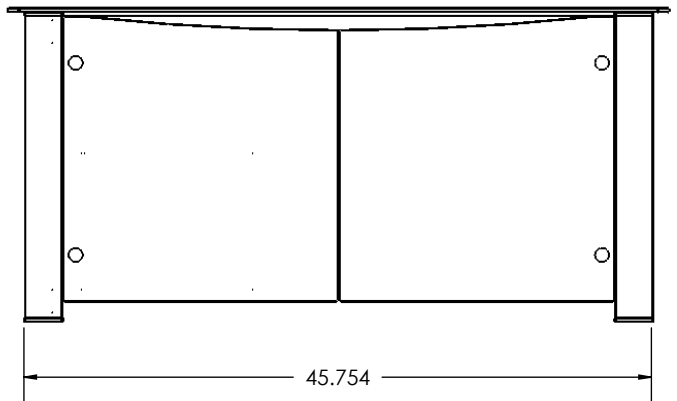
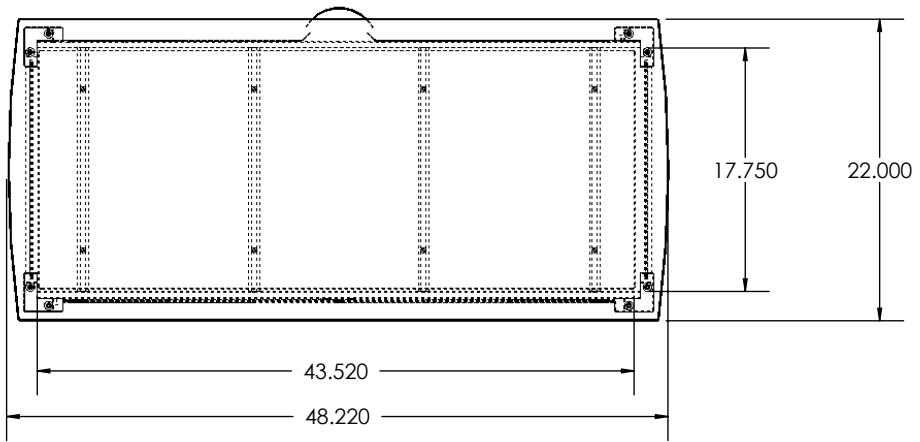


REVISIONS				
REV.	DESCRIPTION	DATE	INITIALED	ECO
00	RELEASE FOR PRODUCTION	04-29-08	RLB	



	NAME	DATE	<b>SANUS SYSTEMS</b>	
ENGINEER	RLB	11-29-07	TITLE: <b>DFV49 ASSY</b>	
DESIGNER	MRR	04-24-08		
APPROVED	RLB	04-24-08		
NOTES:			SIZE <b>A</b>	DWG. NO. <b>6802-000150</b>
			SCALE: 1:12	REV <b>00</b>
TEMPLATE REV.:	05		SHEET 1 OF 1	

**PROPRIETARY AND CONFIDENTIAL**  
 THE INFORMATION CONTAINED IN THIS DRAWING IS THE SOLE PROPERTY OF SANUS SYSTEMS, A PRODUCT DIVISION OF MILESTONE AV TECHNOLOGIES. ANY REPRODUCTION IN PART OR AS A WHOLE WITHOUT THE WRITTEN PERMISSION OF SANUS SYSTEMS IS PROHIBITED.