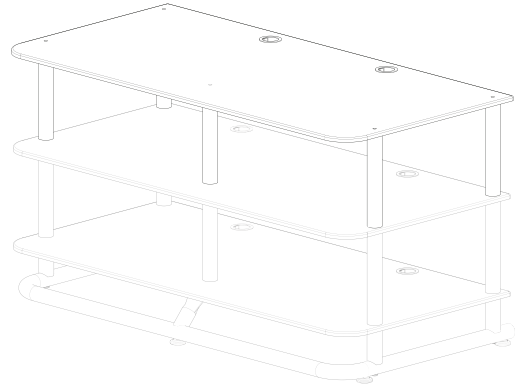


# SANUS SYSTEMS

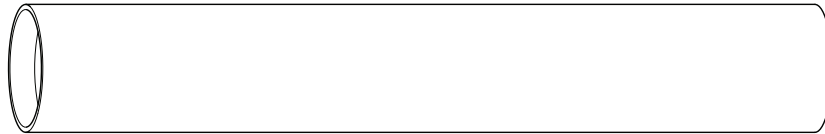
THE UNION OF FORM AND FUNCTION

## Assembly Instructions for Model: EFVS-II

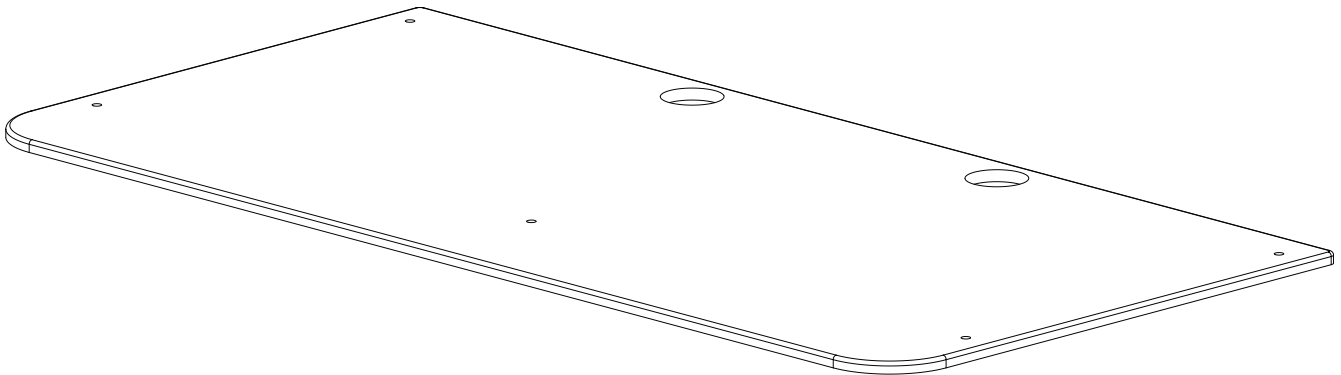
Thank you for choosing the Sanus Systems Model EFVS-II. Every effort has been made to ensure that your Sanus Systems furniture is perfect. If you have questions or feel that there is a problem of any kind, please contact us at 800-359-5520 or at [www.sanus.com](http://www.sanus.com). We can quickly help with any issues regarding assembly or missing parts. Replacement parts for Sanus systems products purchased through authorized dealers will be shipped directly to you.



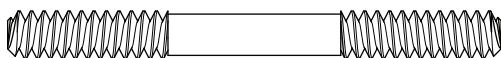
**Supplied Parts List:** (Threaded fasteners are shown full size)



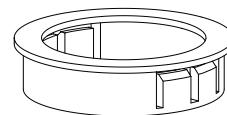
**8" Pillar - A**  
Qty 5



**Video Shelf - B**  
Qty. 1



**Shelf Connector - C**  
Qty. 5

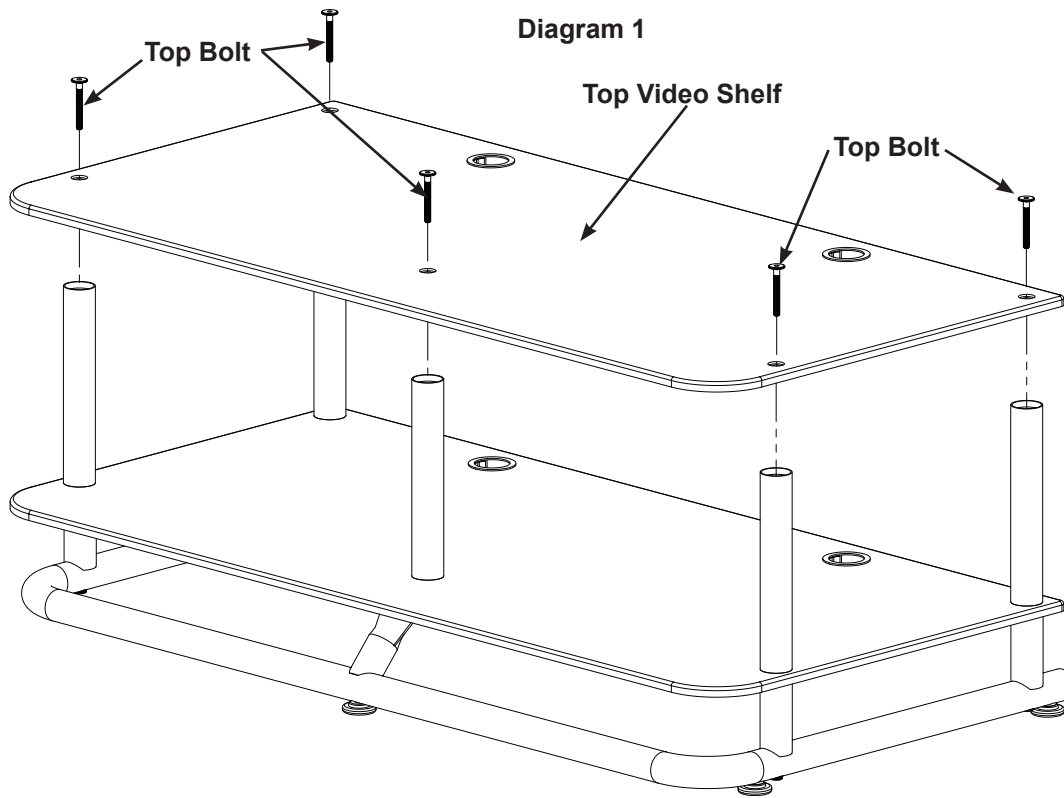


**Wire Bushing - D**  
Qty. 2

**NOTE: Step 1 is necessary only if the EFAV-II assembly has been previously completed.**

**Step 1 - Remove existing Top Video Shelf**

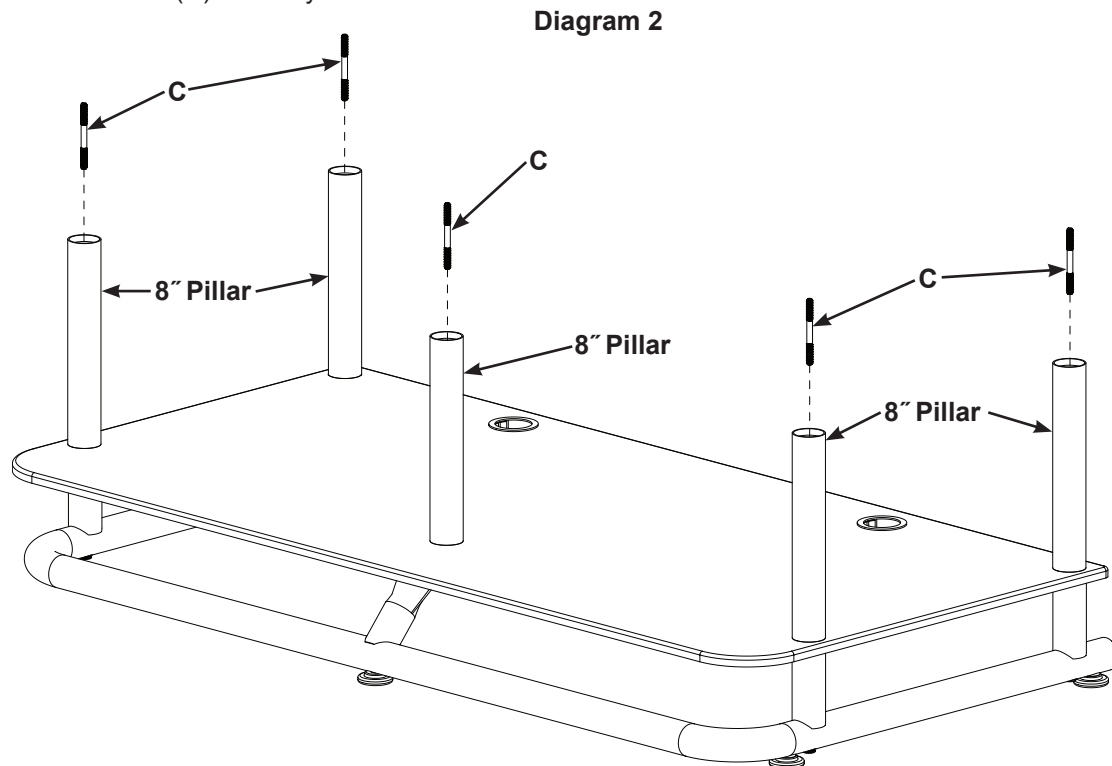
Remove the five Top Bolts and Top Video Shelf. Place the Video Shelf on a smooth soft surface, such a carpeted floor.



---

**Step 2 - Install Shelf Connectors**

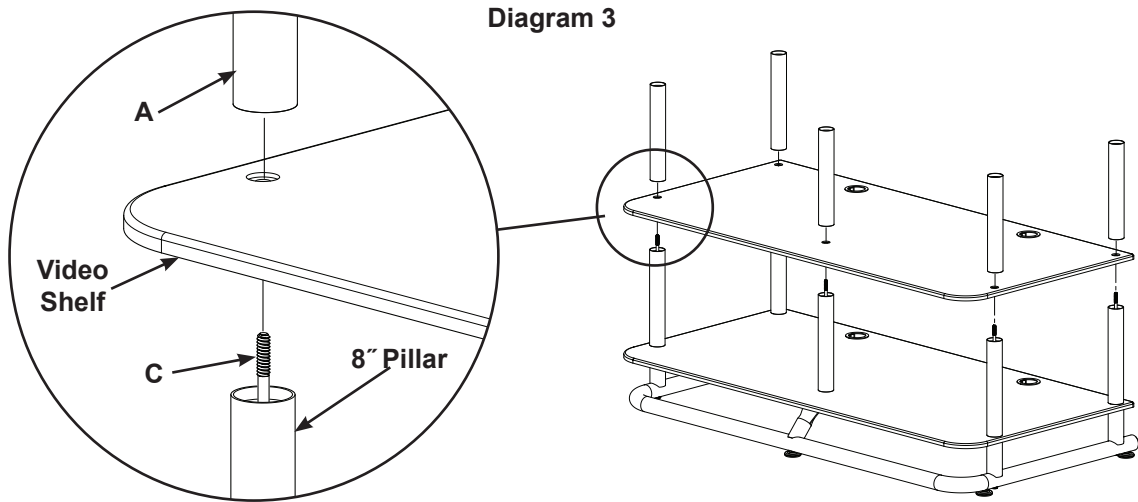
Thread a Shelf Connector (C) securely into the five 8" Pillars.



### Step 3 - Place a Video Shelf on 8" Pillars

Place the next Video shelf on the 8" Pillars.

Thread a new 8" Pillar (A) onto each Shelf Connector (C) and firmly hand tighten.



---

### Step 4 - Secure new Top Video Shelf to 8" Pillars

Place the new Video Shelf (B) on the new 8" Pillars (A); then, using an Allen Key and the five Top Bolts, secure the new Video Shelf to the new 8" Pillars.

Install the two new Wire Bushings (D).

