

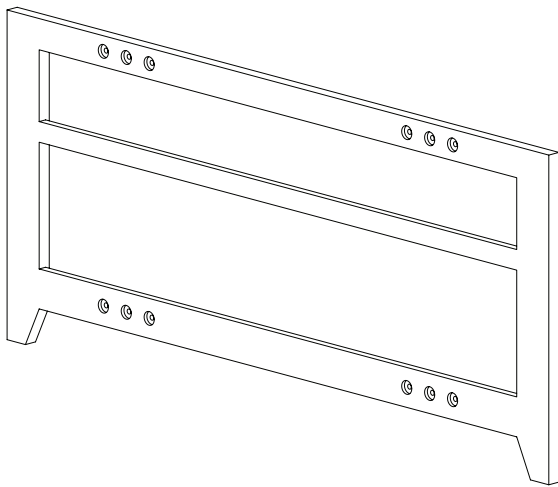
SANUS | SYSTEMS

THE UNION OF FORM AND FUNCTION

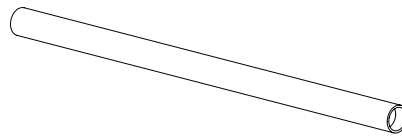
Assembly Instructions for Natural Furniture, Models: NF203, NF213, NFV49

Thank you for choosing the Natural Furniture line from Sanus Systems. If you have any questions regarding this or any other Sanus Systems product, please contact us at 800.359.5520 or visit us at www.sanus.com. Our customer service representatives can assist you quickly with any issues regarding assembly or missing parts. Check carefully to make sure none of the parts are missing or defective. Never use defective parts. Replacement parts for products purchased from an authorized dealer will be shipped directly to you. Please call Sanus Systems before returning products to retail stores.

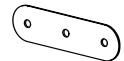
Supplied Parts List: (Threaded fasteners are shown full size)



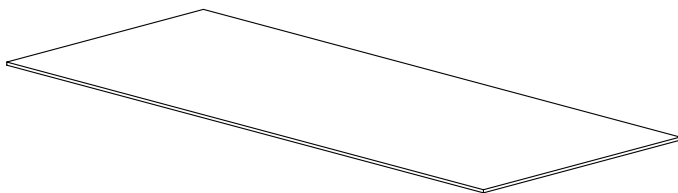
Front Frame - A
Qty. 1



Steel Cross Tube - B
Qty. 12



Three Hole Plate - C
Qty. 8



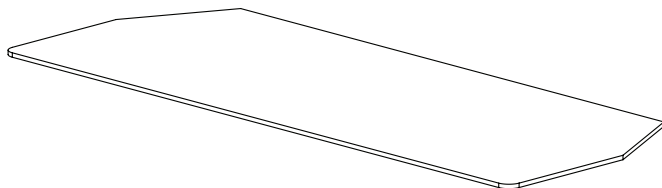
Glass Shelf - D
Qty. 2



Rear Support - E
Qty. 2



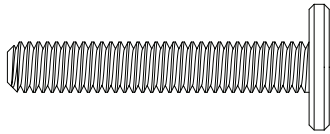
Plastic Wire Cover - F
Qty. 2



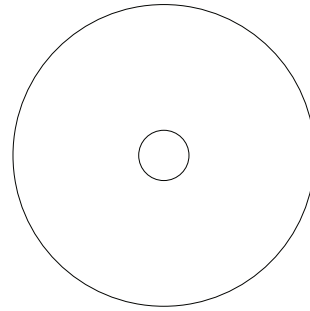
Top Glass Shelf - G
Qty. 1



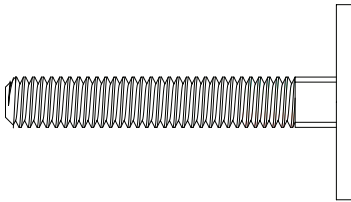
Wire Strap - H
Qty. 4



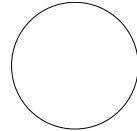
Allen Bolt - I
Qty. 12



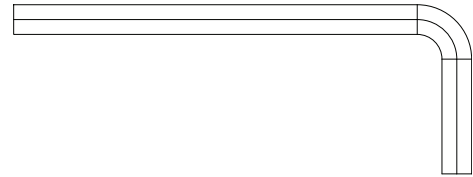
Washer - J
Qty. 4



Decorative Face Bolt - K
Qty. 12



Glass Protector - L
Qty. 8



Allen Key - M
Qty. 1

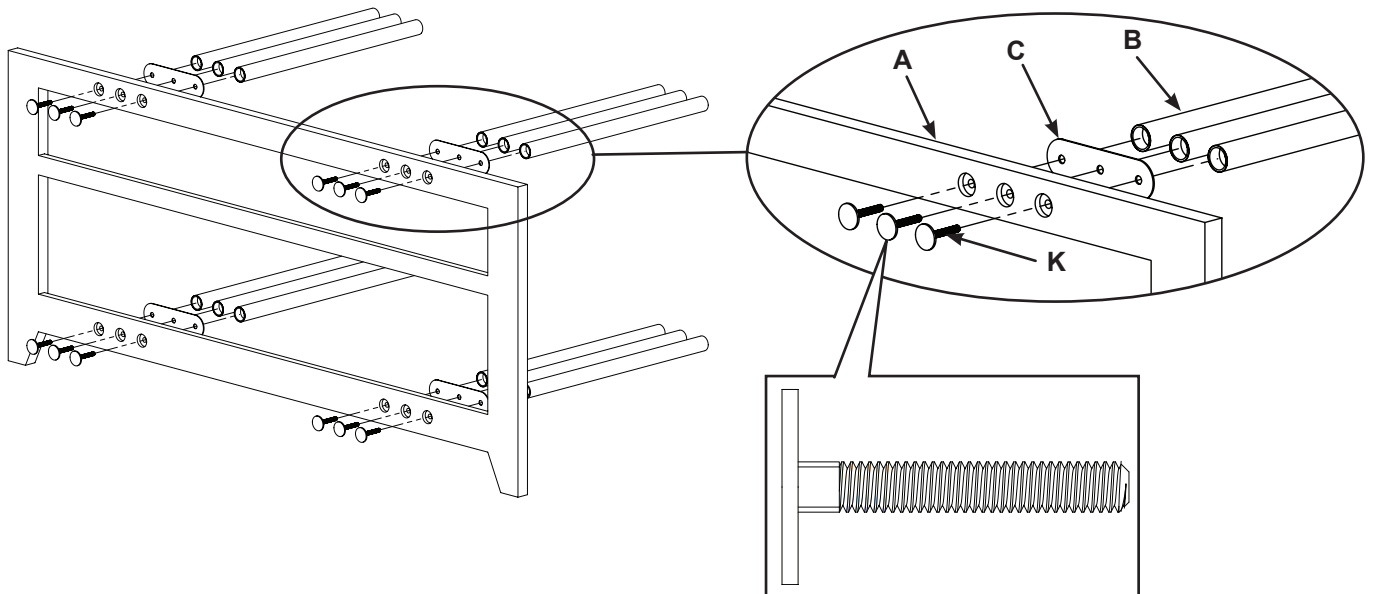
Step 1: Attach the Cross Tubes to the Front Frame

Position the Front Frame (A) as shown in Diagram 1; then, thread each Decorative Face Bolt (K) through the Front Frame, a Three Hole Plate (C) and into a Steel Cross Tube (B).

Repeat this process until all twelve Steel Cross Tubes (B) are fastened to the Front Frame (A) as shown in Diagram 1.

Firmly hand tighten each Steel Cross Tube (B).

Diagram 1



Step 2: Attach Rear Supports

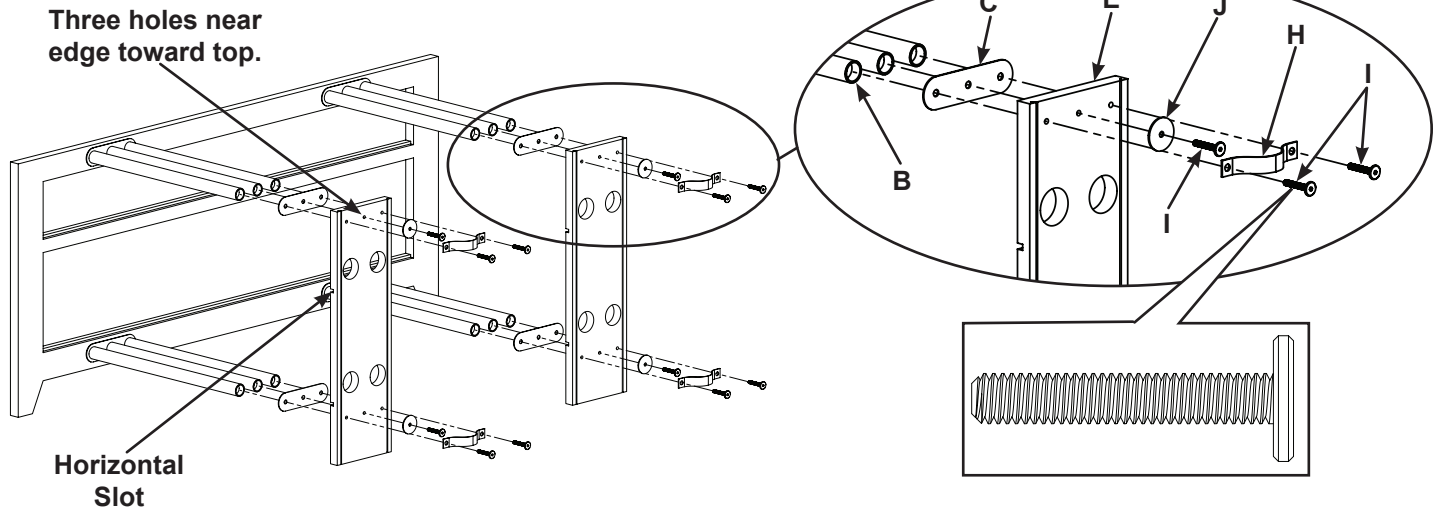
NOTE: The Rear Supports (E) must be positioned with set of three holes closest to the edge toward the top and the horizontal slots facing the Front Frame (A).

Thread an Allen Bolt (I) through a Washer (J), the middle hole in a Rear Support (E), the middle hole in a Three Hole Plate (C), and into the middle Steel Cross Tube (B), as shown in Diagram 2. Repeat this procedure until all four middle Allen Bolts, accompanying Washers, and Rear Supports are attached to the middle Steel Cross Tubes.

Thread an Allen Bolt (I) through each hole of the Wire Straps (H), the Rear Supports (E), each outer hole of the Three Hole Plates (C), and into the outer Steel Cross Tubes (B) as shown in Diagram 2.

Using the Allen Key (M), tighten all twelve Allen Bolts (I).

Diagram 2

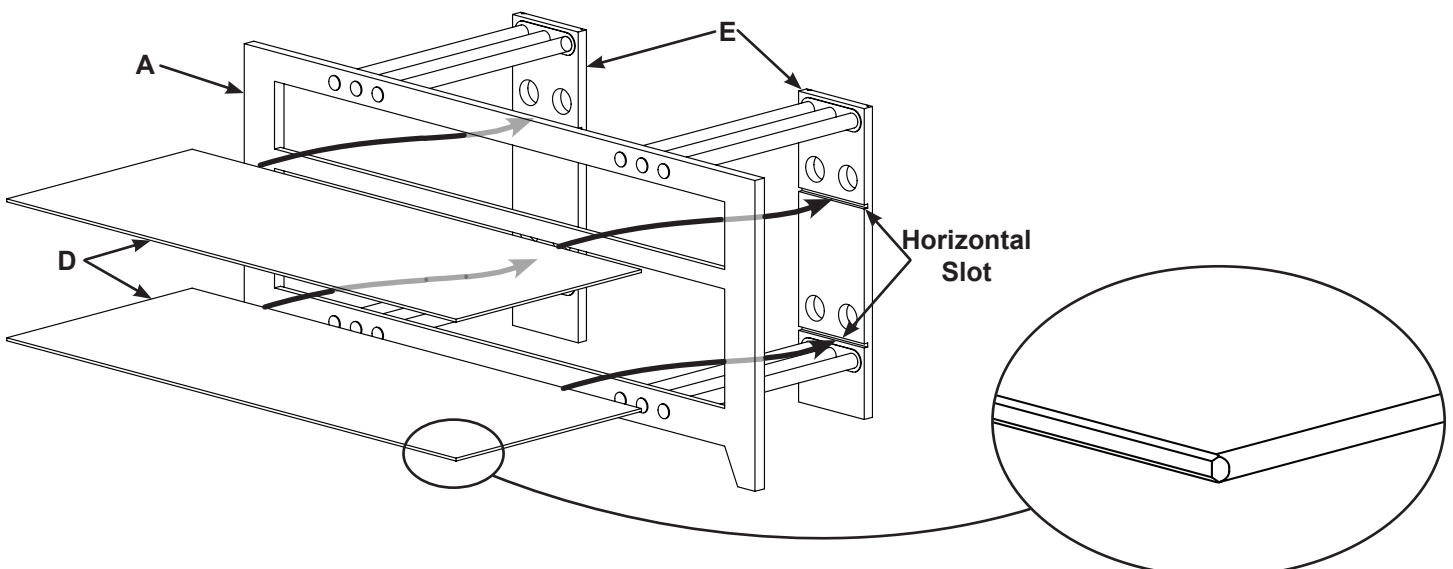


Step 3: Install Glass Shelves

NOTE: Make sure the round edges of the Glass Shelves are to the sides and the flat edge fits into the horizontal slot in the Rear Support.

Install the Glass Shelves (D) so the back of each Glass Shelf fits into the horizontal slot in the Rear Support (E), and the front of the Glass Shelf sits down into the groove in the Front Frame (A) as shown in Diagram 3.

Diagram 3

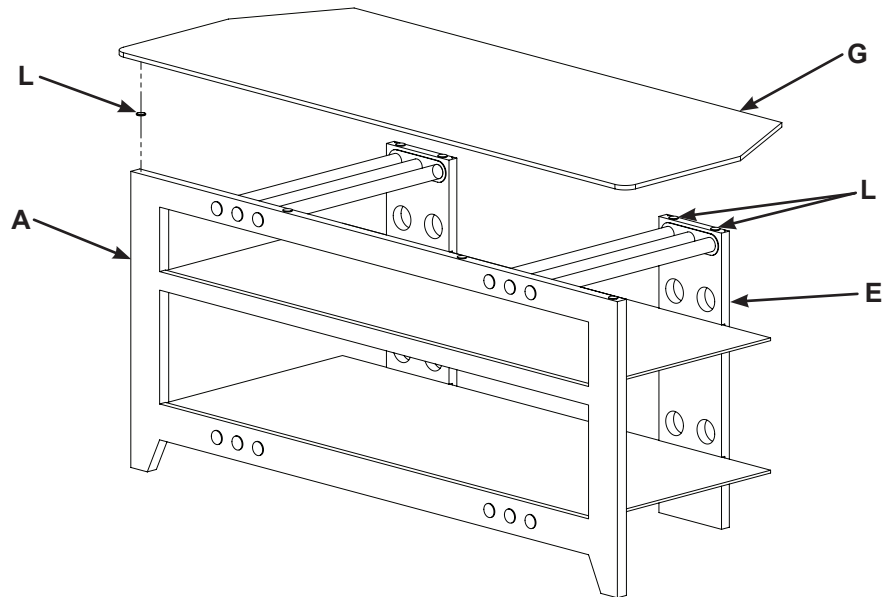


Step 4: Add Top Glass Shelf

Place four Glass Protectors (L) evenly along the top of the Front Frame (A); then, add two Glass protectors to the top of each Rear Support (E).

Place the Top Glass Shelf (G) onto the Glass Protectors as shown in Diagram 4.

Diagram 4



Step 5: Install Plastic Wire Covers

To install the Plastic Wire Covers (F) insert one edge of the Plastic Wire Cover into one of the grooves in the Rear Support (E) as shown in the Top View of Diagram 5; then, insert the other edge of the Plastic Wire Cover into the adjacent groove in the Rear Support. Repeat this procedure for the second Plastic Wire Cover.

NOTE: The Top Glass Shelf in Diagram 5 is shown as a cut-away view to provide greater detail of how the Plastic Wire Cover attaches to the Rear Support.

Diagram 5

