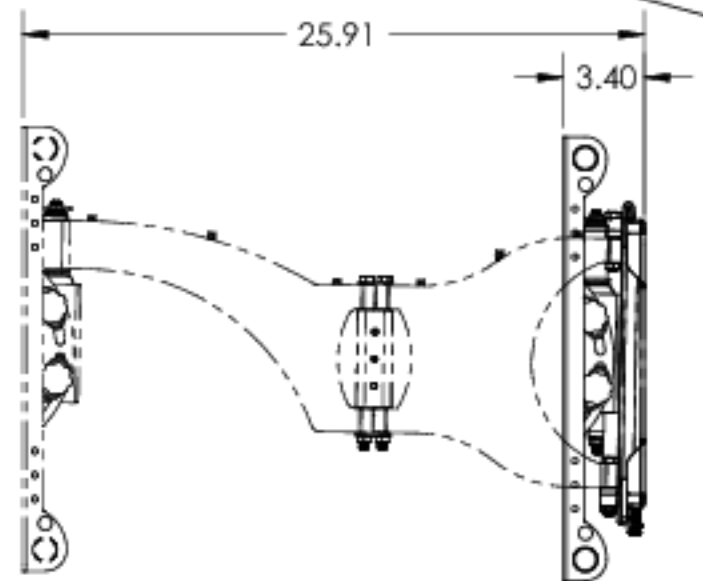
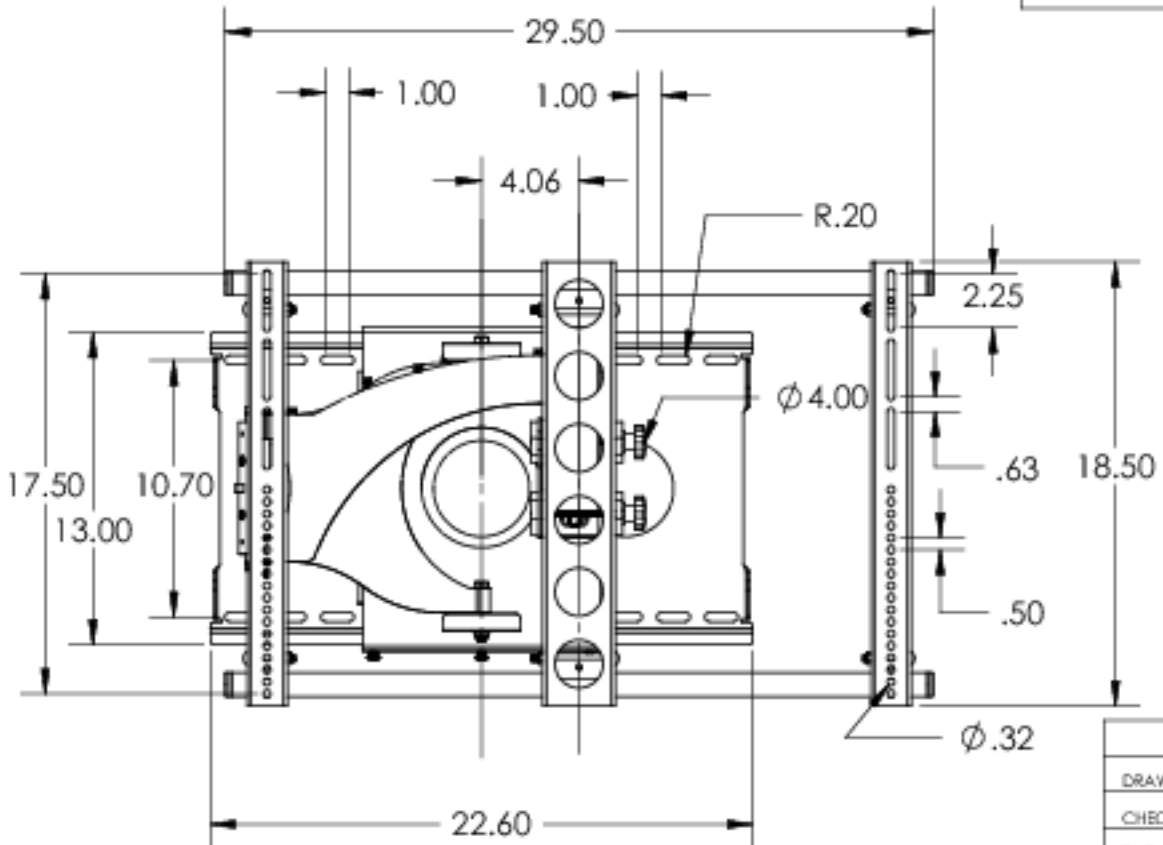
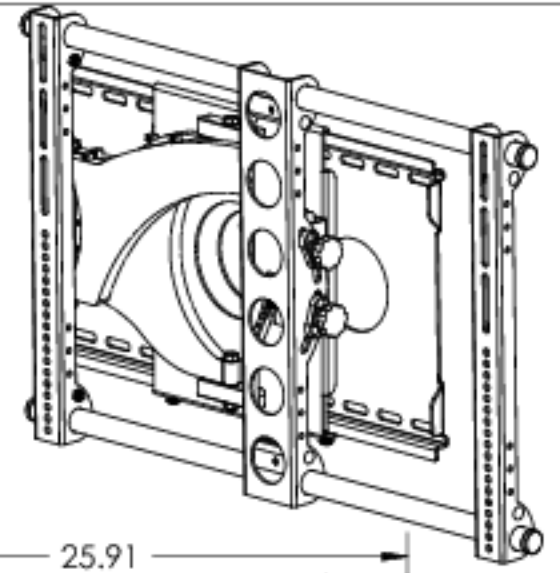


Maximum Weight Capacity: 130lbs.



	NAME	DATE
DRAWN	NAS	11/14/05
CHECKED		
ENG APPR.		
MFG APPR.		
Q.A.		

<b>SANUS SYSTEMS</b>	
TITLE:	
<b>VMAA26</b>	
SCALE: 1:8	SHEET 1 OF 1

**PROPRIETARY AND CONFIDENTIAL**  
 THE INFORMATION CONTAINED IN THIS DRAWING IS THE SOLE PROPERTY OF SANUS SYSTEMS. ANY REPRODUCTION IN PART OR AS A WHOLE WITHOUT THE WRITTEN PERMISSION OF SANUS SYSTEMS IS PROHIBITED.

Full Motion Wall Mount