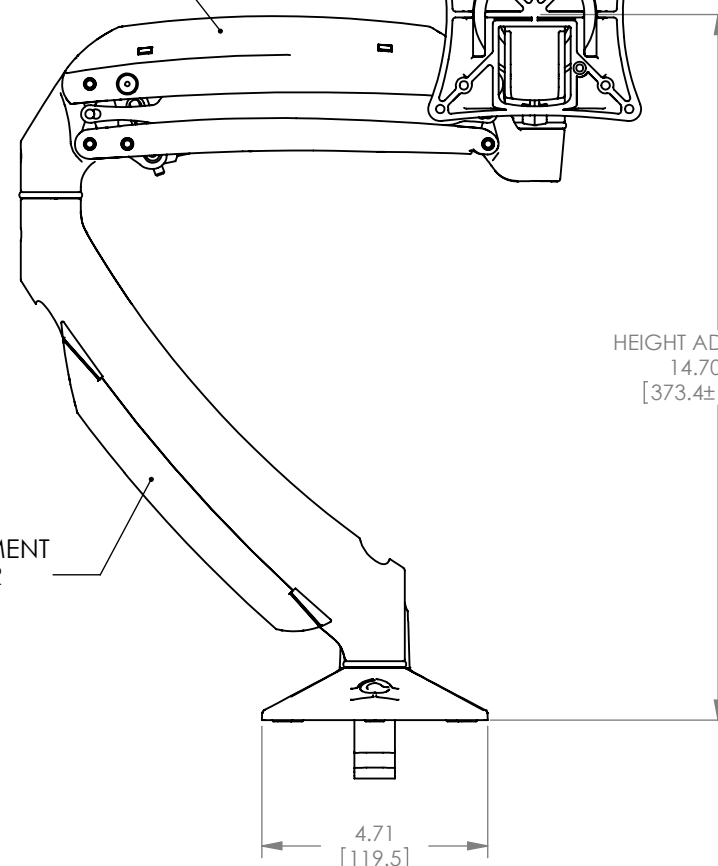


CABLE MANAGEMENT COVER

3.94 [100]  
2.95 [75]

±90° INTERFACE ROTATION  
QUICK RELEASE VESA INTERFACE



CABLE MANAGEMENT COVER

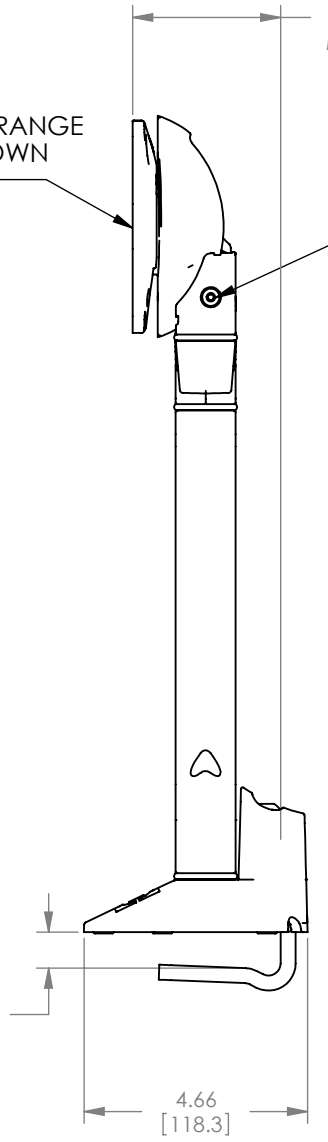
HEIGHT ADJUSTMENT  
14.70±6.5 [373.4±165.10]

4.71 [119.5]

PITCH RANGE  
10° DOWN  
75° UP

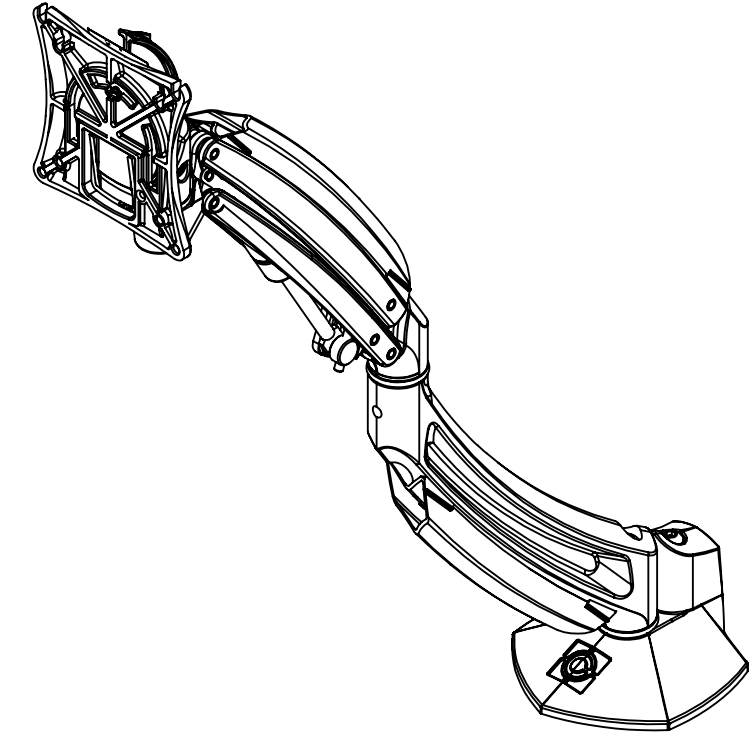
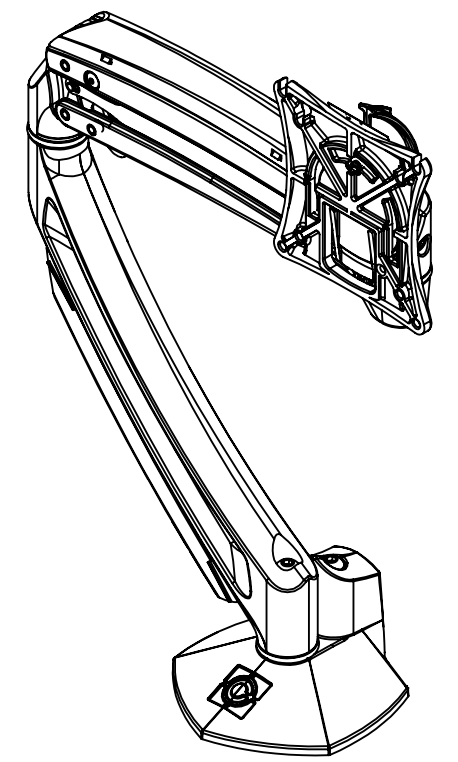
EXTENSION  
MIN 2.09 [53.14]  
MAX 19.9 [505.5]

PITCH TENSION ADJUSTMENT



DESKTOP THICKNESS RANGE  
.75 [19.05]  
MAX 2.50 [63.5]

4.66 [118.3]



THE INFORMATION AND DESIGNS CONTAINED IN THIS DRAWING ARE CONFIDENTIAL AND THE PROPRIETARY PROPERTY OF MILESTONE AV TECHNOLOGIES NEITHER THIS DESIGN NOR ANY INFORMATION CONTAINED IN THIS DRAWING MAY BE REPRODUCED OR DISCLOSED TO OTHERS WITHOUT THE EXPRESS WRITTEN CONSENT OF MILESTONE AV TECHNOLOGIES.

CAD GENERATED DRAWING, DO NOT MANUALLY UPDATE.		<b>SANUS</b>	
DRAWN BY			
ENG APPROVAL		MODEL NO.	VMD1
MFG APPROVAL		SIZE	DWG. NO.
QA APPROVAL		SCALE	1:1
SHEET 1 OF 1		REV.	