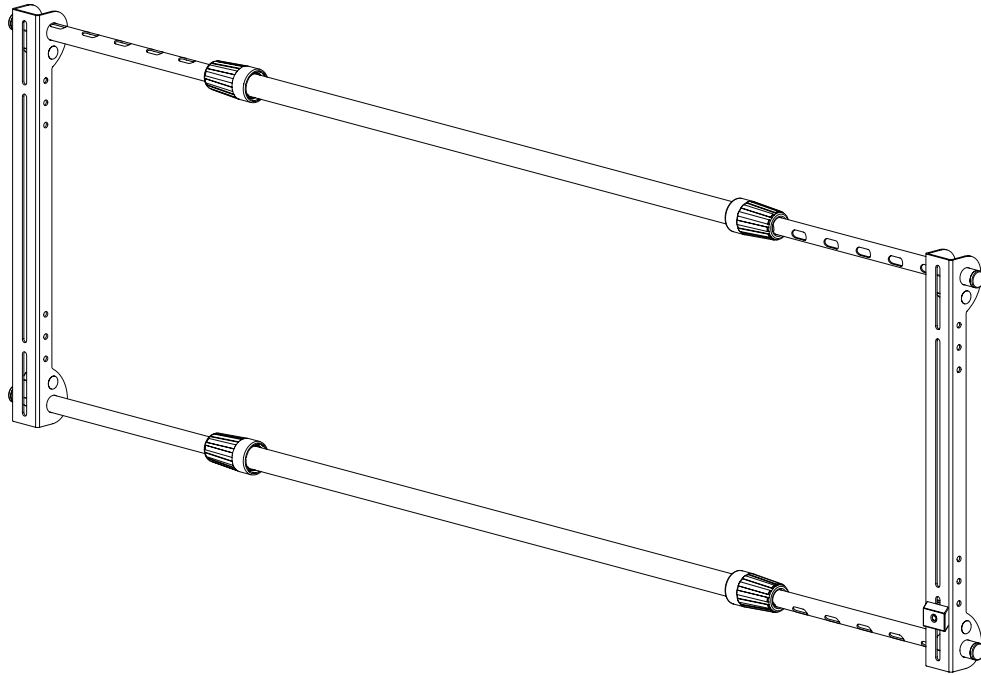


SANUS | SYSTEMS

XAS1A

(6901-100148 <01>)



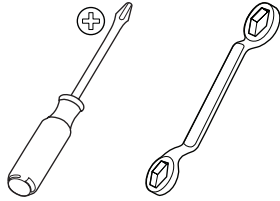
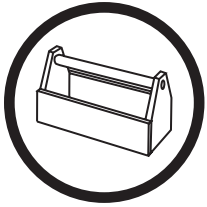
Thank you for choosing the Sanus Systems XAS1A. The XAS1A is designed to mount speakers on each side of a VMDD26 VisionMount full motion TV mount. The XAS1A will support speakers weighing up to 11 kg (25 lbs.) each.

⚠ CAUTION

Do not use this product for any purpose not explicitly specified by Sanus Systems. Improper installation may cause property damage or personal injury. If you do not understand these directions, or have doubts about the safety of the installation, contact Sanus Systems Customer Service or call a qualified contractor. Sanus Systems is not liable for damage or injury caused by incorrect mounting, assembly, or use.

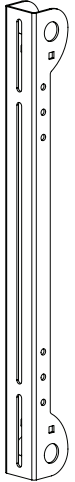
⚠ WARNING

This product contains small items that could be a choking hazard if swallowed. Keep these items away from young children!

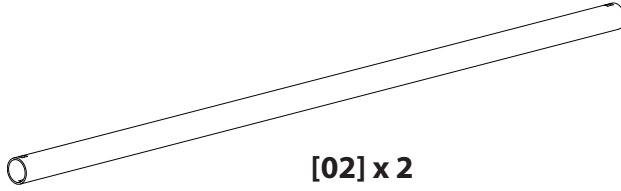


Supplied Parts and Hardware

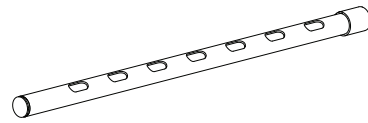
Before starting assembly, verify all parts are included and undamaged. If any parts are missing or damaged, do not return the item to your dealer; contact Sanus Systems Customer Service. Never use damaged parts!



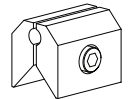
[01] x 2



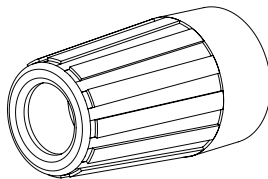
[02] x 2



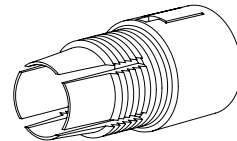
[03] x 4



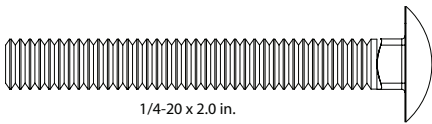
[04] x 4



[05] x 4

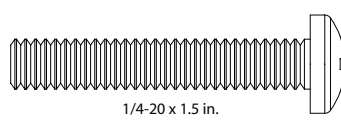


[06] x 4



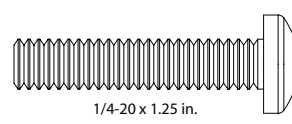
1/4-20 x 2.0 in.

[07] x 4



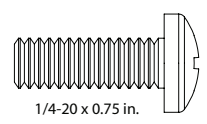
1/4-20 x 1.5 in.

[08] x 4



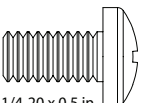
1/4-20 x 1.25 in.

[09] x 4



1/4-20 x 0.75 in.

[10] x 4



1/4-20 x 0.5 in.

[11] x 4



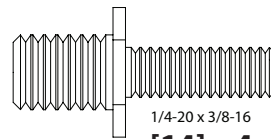
M4 x 16mm

[12] x 4



M4 x 35mm

[13] x 4



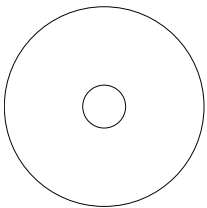
1/4-20 x 3/8-16

[14] x 4



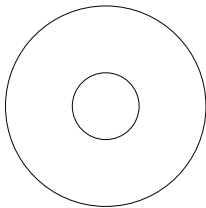
1/4-20 x 3/8-16

[15] x 4



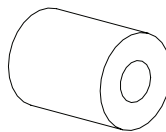
M4

[16] x 4



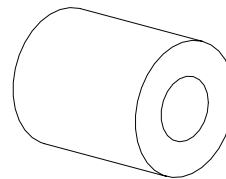
M6

[17] x 4



M4

[18] x 4



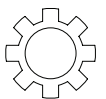
M6

[19] x 4



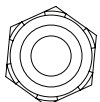
M4

[20] x 4



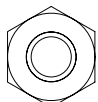
M6

[21] x 4



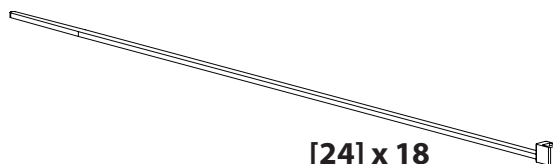
1/4-20 Nyloc

[22] x 4

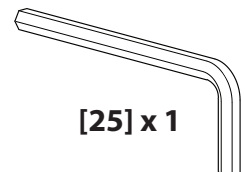


1/4-20

[23] x 4



[24] x 18



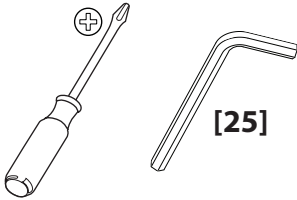
[25] x 1

1: Preparation

1- 1: New Installations

If you have purchased a VMDD26 VisionMount™ Full Motion Mount, but have not installed it, begin by following the large VMDD26 installation instructions. Replace **Cross Tube Installation** with **Step 2: Cross Tube Installation** of the XAS1A instructions. When completed, refer back to this Instruction manual, starting at **Step 3: Install Extension Tubes**.

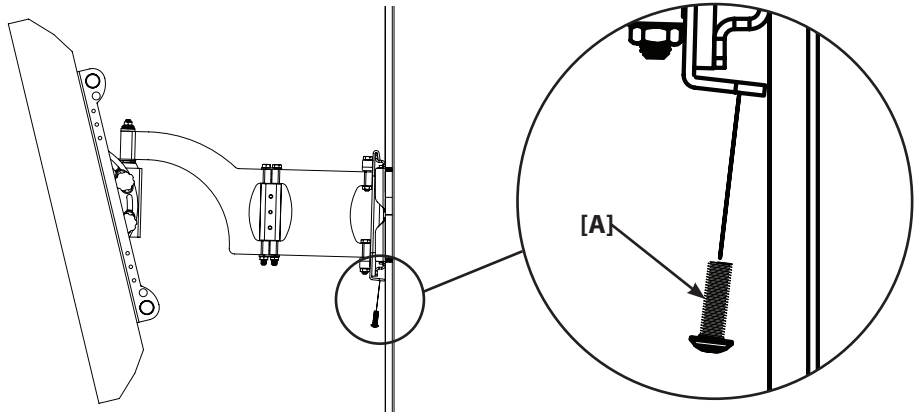
1- 2: Existing Installations



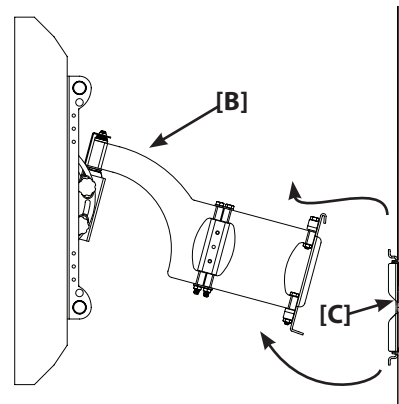
NOTE

All graphics in this section are generic and are only used to illustrate a procedure.

Disconnect all electrical connections and release all cables from any cable tie downs. Remove the safety bolt [A] as shown.

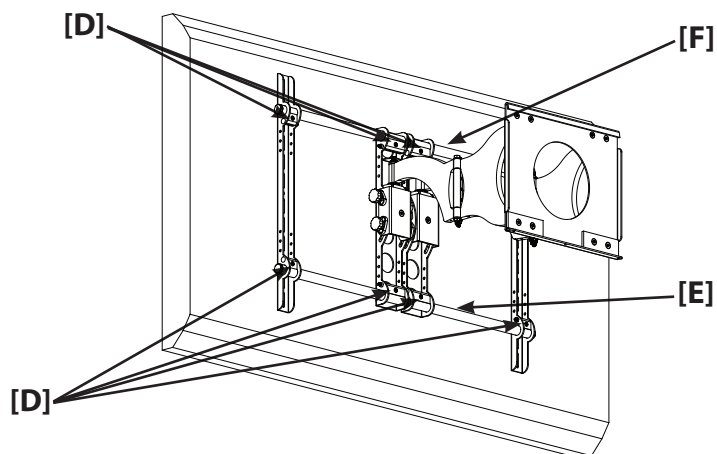


Lift the TV and arm assembly [B] off the wall plate [C] as shown. Lean the assembly against a wall or other vertical surface.



HEAVY! You will need assistance with this step.

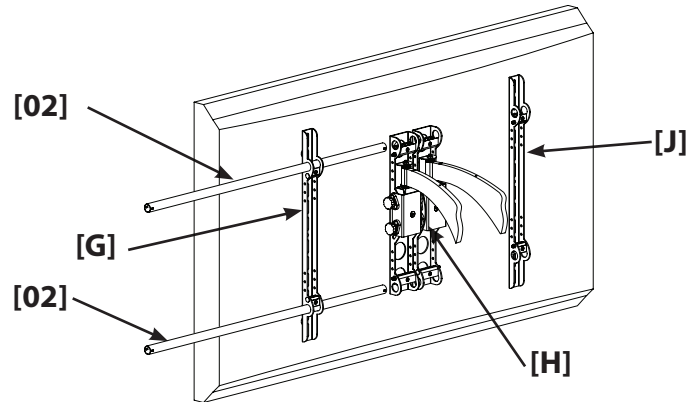
Using an Allen Key, loosen the eight vise assemblies [D]. Remove the lower cross tube [E]; then, remove the upper cross tube [F] as shown.



2: Cross Tube Installation



Slide the cross tubes [02] into the first monitor bracket [G], through the arm assembly [H] and then through the second monitor bracket [J]. Center the cross tubes on the back of the TV. Using the Allen Key, tighten the six vise assemblies until the cross tubes no longer rotate.



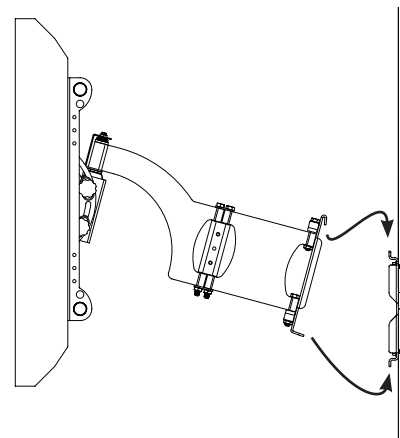
Attach the TV and arm assembly to the wall plate according to the instructions provided with the VMDD26 Full Motion Mount.



HEAVY! You will need assistance with this step.

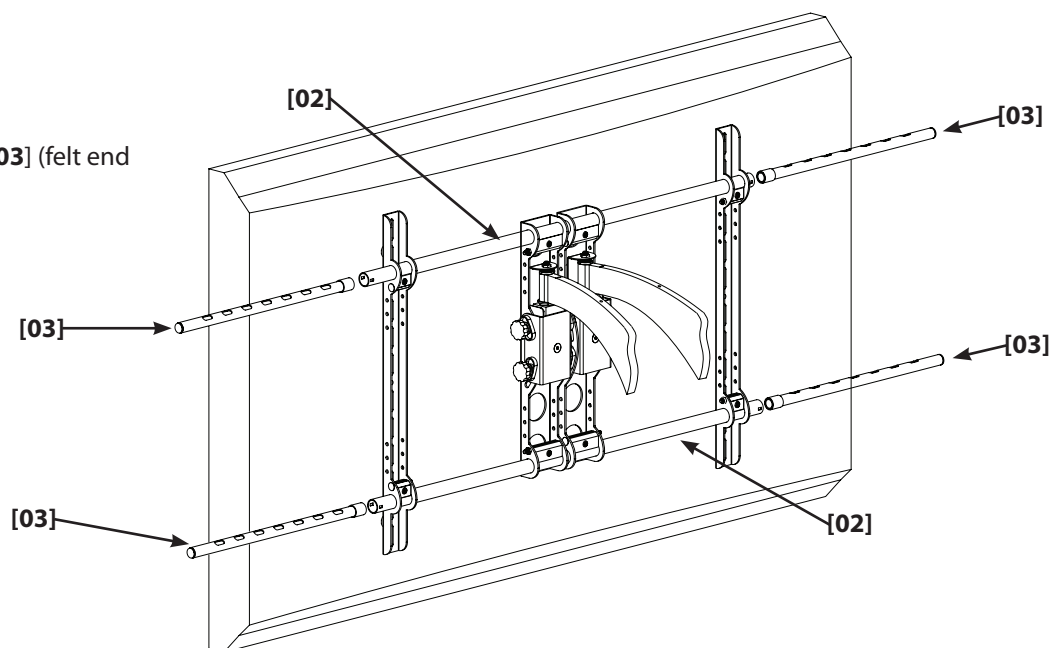
NOTE

If you no longer have your VMDD26 Installation Manual, download one from www.Sanus.com or call Sanus Systems Customer Service.



3: Install Extension Tubes

Slide the four extension tubes [03] (felt end first) into the cross tubes [02].

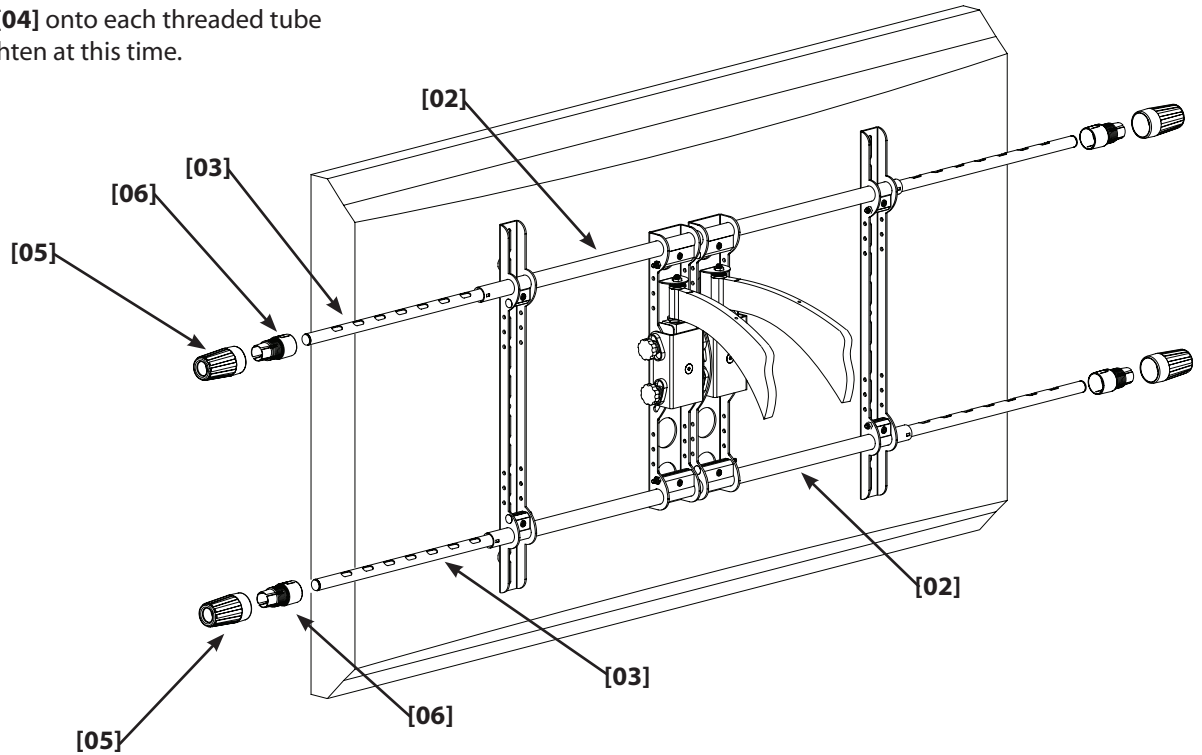


4: Install Threaded Tube Clamp & Clamp Knob

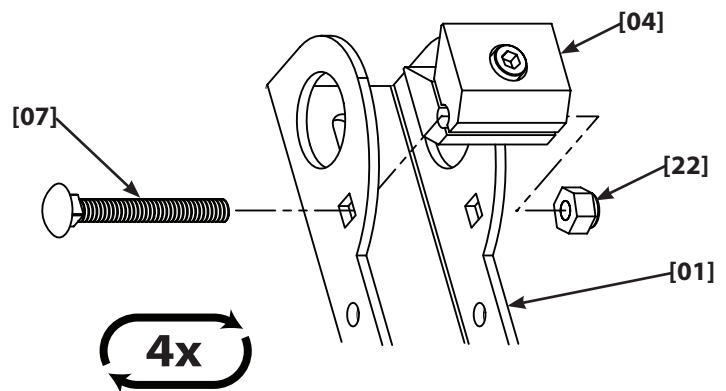
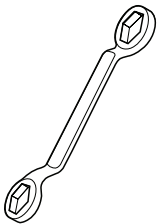
Slide the threaded tube clamps [05] onto the extension tubes [03], aligning the notches in the threaded tube clamp and cross tubes [02].

Snap the threaded tube clamps onto the cross tubes.

Thread a clamp knob [04] onto each threaded tube clamp [05]. Do not tighten at this time.



5: Secure Vise Assemblies to Brackets



NOTE

Do not overtighten the nut [22]. The vise assembly [04] must rotate freely around the carriage bolt [07].

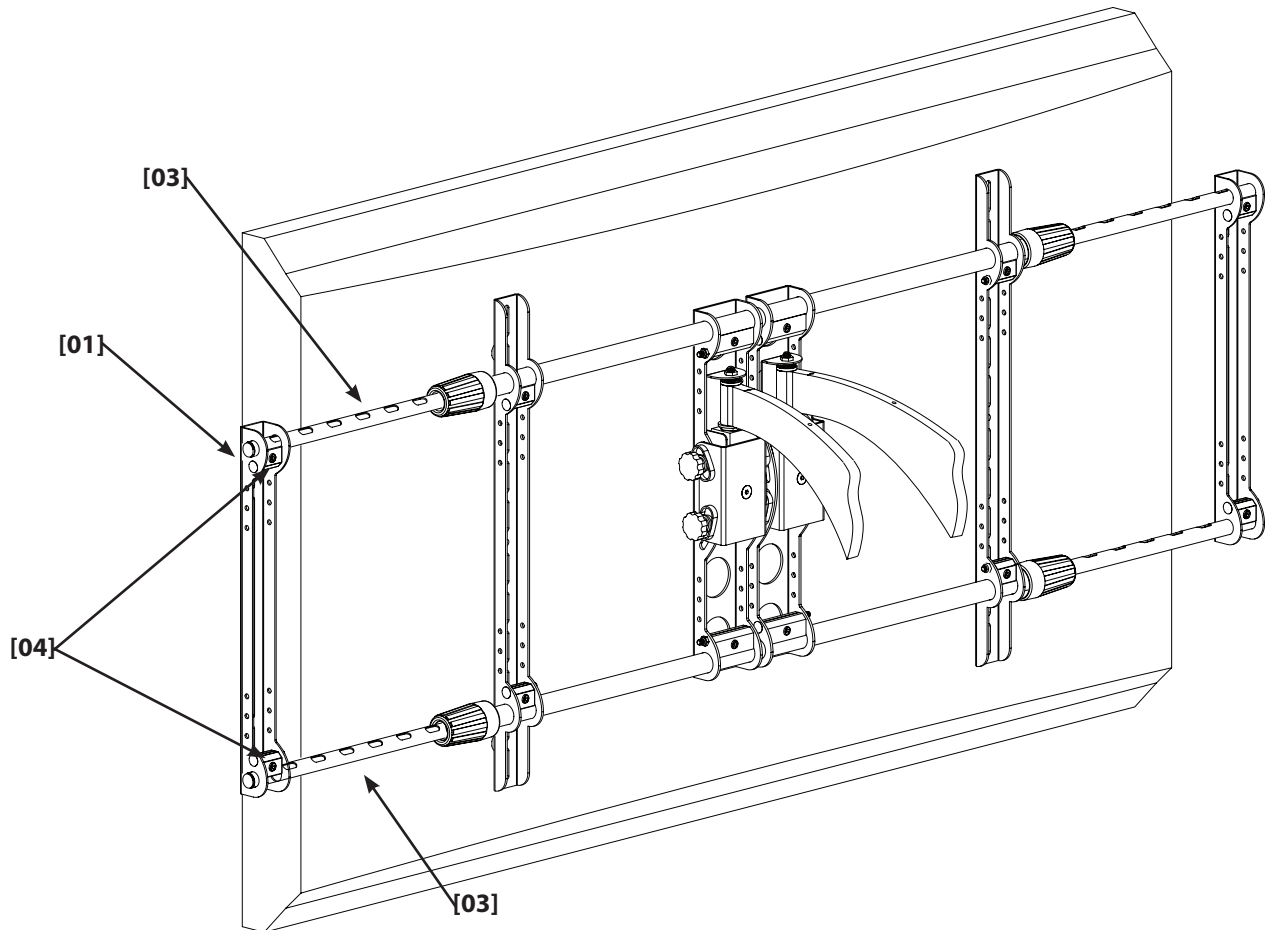
6: Attach Speaker Brackets



Slide the speaker brackets [01] into the extension tubes [03]. Use the Allen key to tighten the four vise assemblies [04] until the speaker brackets do not slide on the extension tubes.

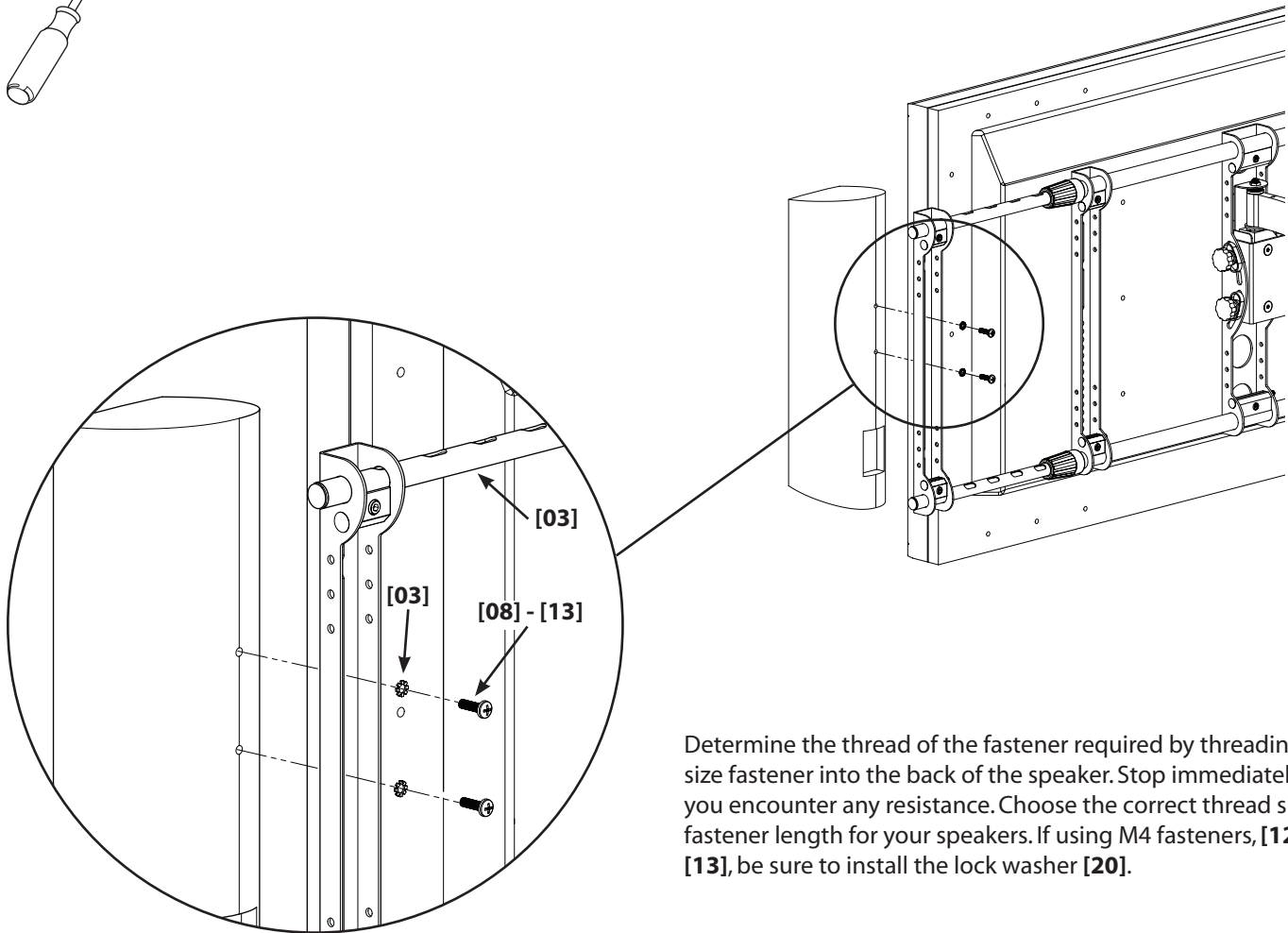
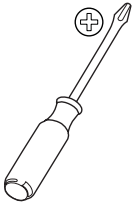
NOTE

Maximum extension of the cross tubes is 162 cm (64 in.). Do not exceed the maximum extension.



7: Attach Speakers

7 - 1: Attach Speakers Using Threaded Fasteners



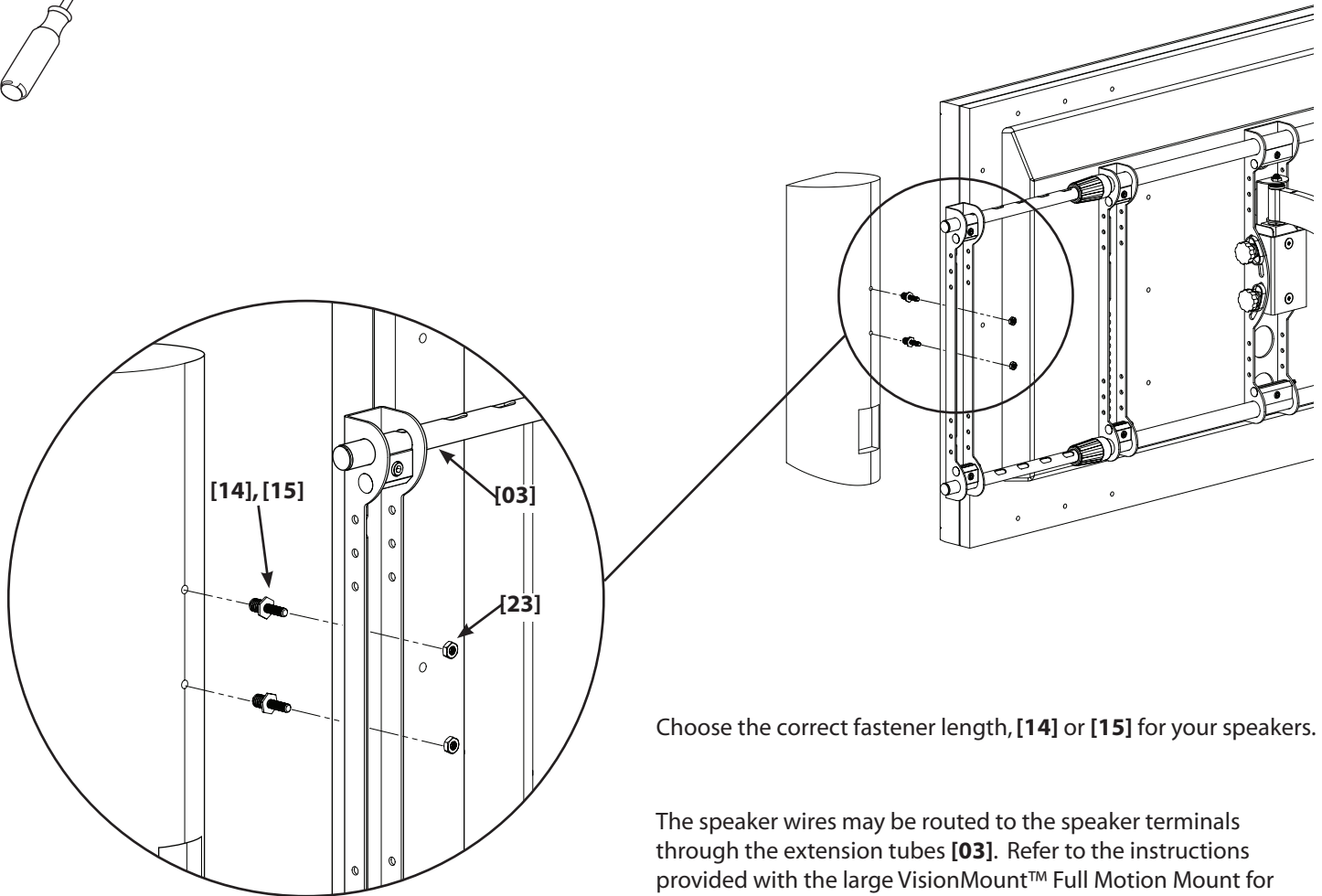
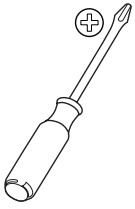
Determine the thread of the fastener required by threading each size fastener into the back of the speaker. Stop immediately if you encounter any resistance. Choose the correct thread size and fastener length for your speakers. If using M4 fasteners, [12] or [13], be sure to install the lock washer [20].

The speaker wires may be routed to the speaker terminals through the extension tubes [03]. Refer to the instructions provided with the large VisionMount™ Full Motion Mount for routing speaker wires.

CAUTION

Disconnect the speaker wire from the receiver or amplifier when you route it through the upper or lower extension tubes [03] to avoid damage to the speakers, amplifier, or receiver.

7 - 2: Attach Speakers Using Hex Studs



Choose the correct fastener length, [14] or [15] for your speakers.

The speaker wires may be routed to the speaker terminals through the extension tubes [03]. Refer to the instructions provided with the large VisionMount™ Full Motion Mount for routing speaker wires.



CAUTION

Disconnect the speaker wire from the receiver or amplifier when you route it through the upper or lower extension tubes [03] to avoid damage to the speakers, amplifier, or receiver.