

SANUS SYSTEMS

THE UNION OF FORM AND FUNCTION

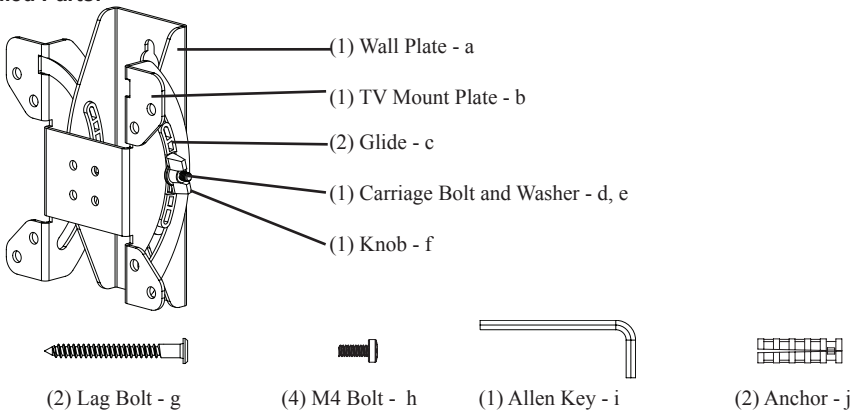
Assembly Instructions for Model: VMF

Thank you for choosing Sanus Systems wall mount furniture. This product is designed to mount VESA 75/100 LCD televisions up to 50 pounds onto a vertical wall. It allows you to effortlessly tilt your new television up to 15° up or down without the use of tools. Check carefully to make sure there are no missing or defective parts. Never use defective parts. Improper installation may cause damage or serious injury. If you do not understand these directions, or have any doubts about the safety of the installation, please call a qualified contractor or contact Sanus at 800.359.5520 or www.sanus.com. We can quickly assist you with installation questions and missing or damaged parts. Replacement parts for Sanus products purchased through authorized dealers will be shipped directly to you.

Note: The hardware provided is for wood stud, concrete, brick and concrete block walls.

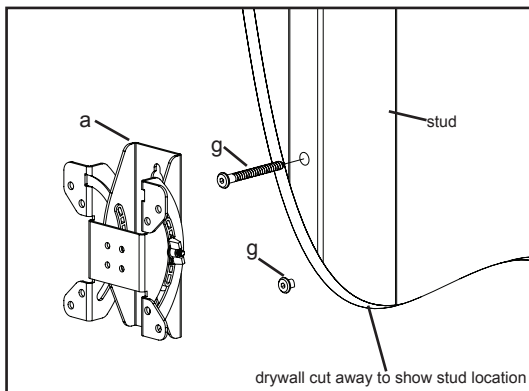
Required Tools: Drill with 3/16" bit, 1/2" masonry bit, Phillips screw driver

Supplied Parts:



Mounting the Wall Plate: Wood Stud Installation - Use a high quality stud sensor to locate a stud. It is a good idea to verify where the stud is located with an awl or thin nail. Use the Wall Plate as a template to mark the two hole locations on the wall. Make sure these holes are aligned vertically and centered over the stud. Pre-drill the two holes using a 3/16" drill bit. Tighten the Lag Bolts until they protrude 1/4 inch from the wall. You will firmly tighten the Lag Bolts during final assembly. See next page for concrete installation.

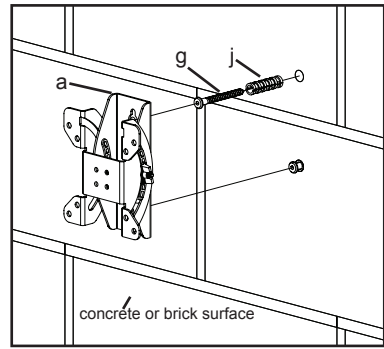
Diagram 1a



Concrete, brick and concrete block installation:

Use the Wall Plate (a) as a template to mark 2 hole locations on the wall. Always locate Concrete Anchors (j) in the brick, block, or concrete. Never drill into the mortar between blocks! Carefully pre-Drill these holes with a 1/2" masonry bit to at least 2.5" in depth. Insert a Concrete anchor into each of these holes. Make sure the anchor is seated completely flush with the concrete surface even if there is a layer of dry-wall or other material in front. Insert a Lag Bolt into each Anchor and tighten until they protrude 1/4 inch from the wall.

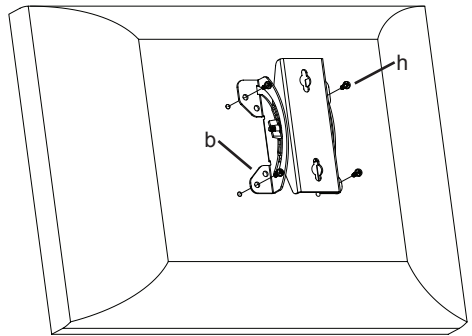
Diagram 1b



Attaching the Monitor Plate to the TV:

Mount the assembly to the back of your LCD television using the M4 Bolts (h) as shown in Diagram 2. Place the four M4 Bolts through the holes in TV Mount Plate (b) and tighten into the VESA bolt mounting pattern on the back of the television.

Diagram 2



Final Assembly:

Next hang the assembly over the Lag Bolts (g) using the key-holes in the Wall Plate as shown in Diagram 3. Once the Wall Plate slides down over the Lag Bolts, firmly tighten them with the Allen Key (j).

Diagram 3

