

SANUS | SYSTEMS

THE UNION OF FORM AND FUNCTION

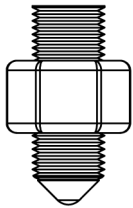
Assembly Instructions for Model: CFA56

Thank you for choosing Sanus Systems Component Furniture. Please check carefully to make sure there are no missing or defective parts. Never use defective parts. Improper assembly may cause damage or serious injury. If you have any questions regarding this product, contact Sanus at 800.359.5520 or visit www.sanus.com. Our customer service representatives can quickly assist you with missing or damaged parts. Replacement parts for Sanus products purchased through authorized dealers can be shipped directly to you. Please call Sanus Systems before returning products to the point of purchase.

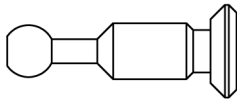
REQUIRED TOOLS: Phillips Screw Driver, Hammer

Check Carefully to ensure there are no missing Parts or Hardware before beginning the installation.

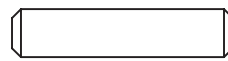
HARDWARE: (shown at actual size)



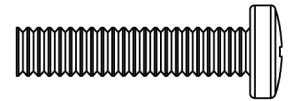
(4) Carpet Spike Assembly - a



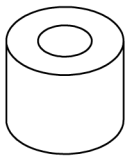
(8) Cam Pin - b



(4) Dowel - c



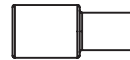
(4) Back Panel Bolt - d



(4) Spacer - e



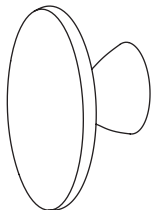
(4) Bottom Shelf Pin - f



(12) Shelf Pin - g



(1) Knob Bolt - h



(1) Knob - i



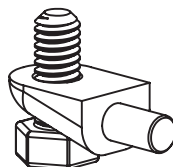
(6) Hinge Screw - j



(6) Hinge Plate Screw - k



(4) Isolation Pad - l

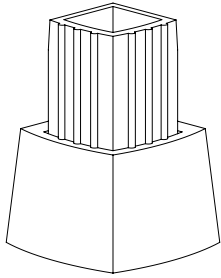


(4) Isolation Shelf Pin - m

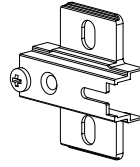


(1) Allen Key - n

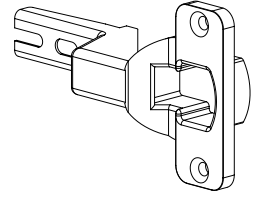
Parts: *Some Parts not shown at same scale



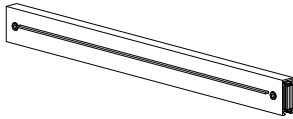
(4) Foot - o*



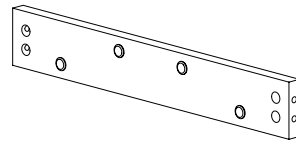
(3) Hinge Plate - p*



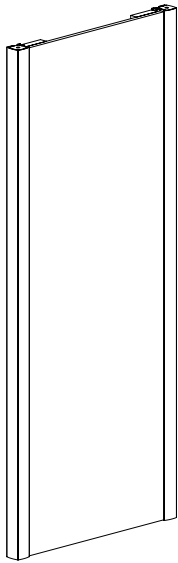
(3) Hinge - q*



(2) Front Rail - r



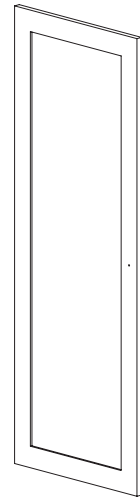
(2) Back Rail - s



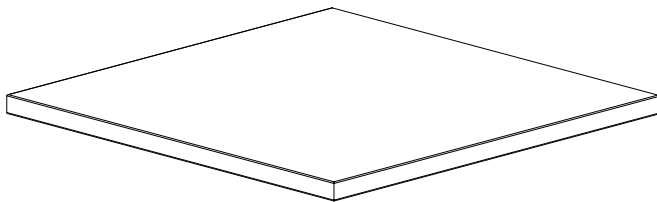
(2) Side Panel - t*



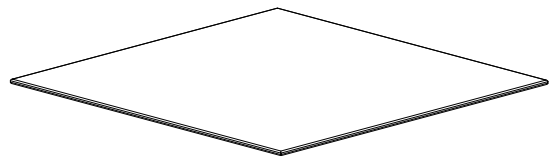
(1) Back Panel - u*



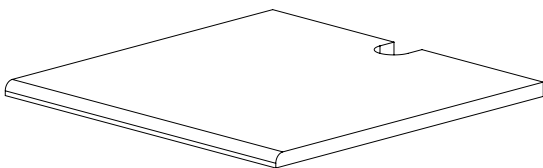
(1) Door - v*



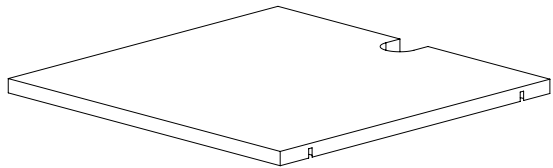
(1) Top - w



(3) Glass Shelf - x



(1) Isolation Shelf - y

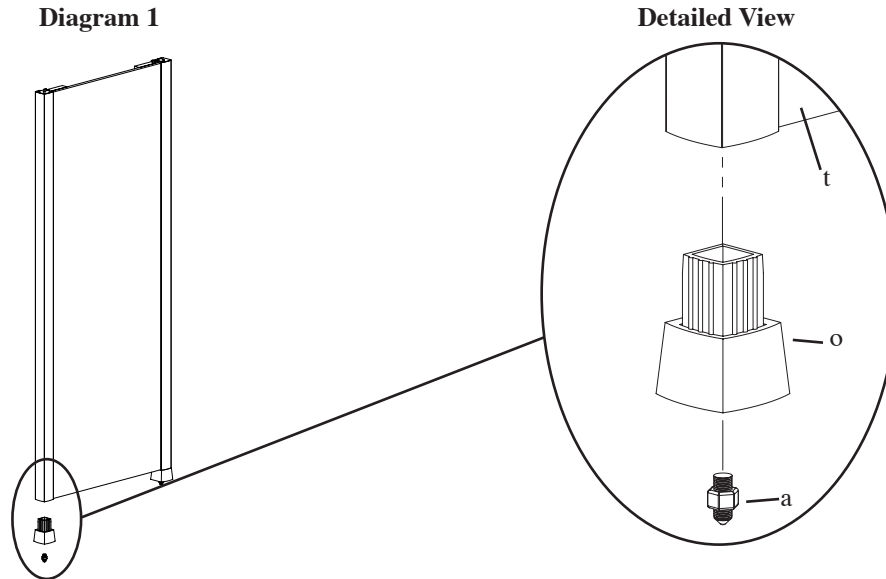


(1) Bottom Shelf - z

Step 1: Add feet

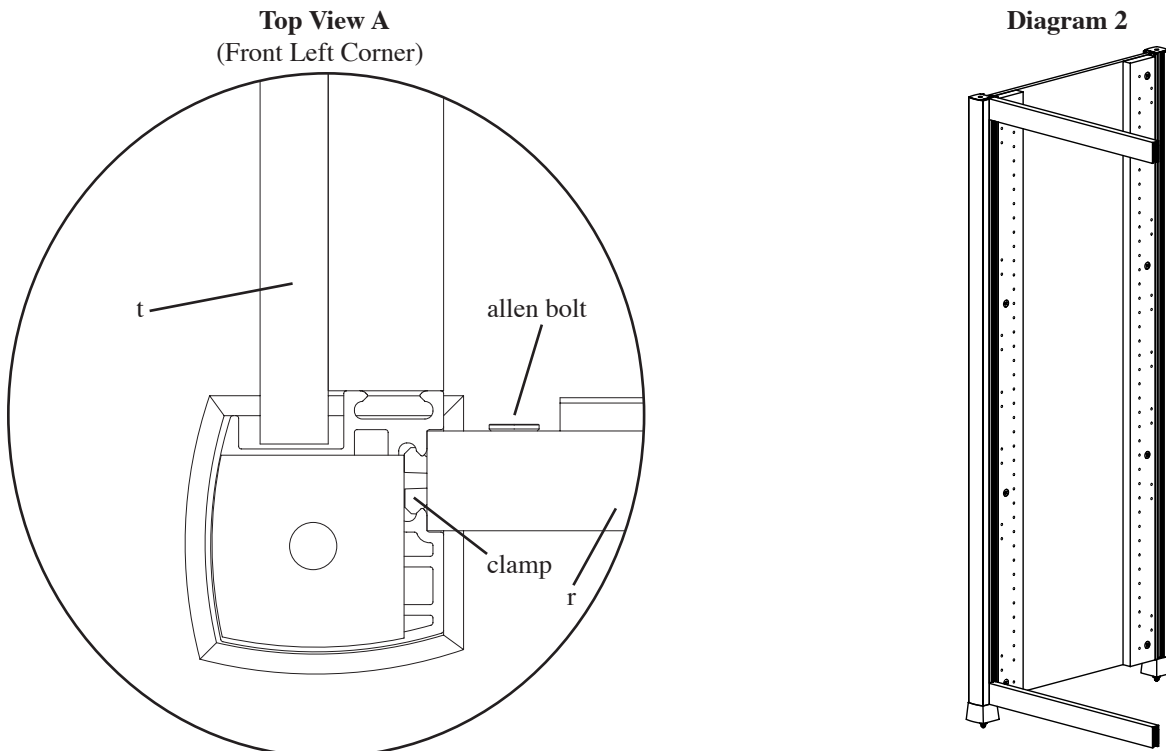
Add a Foot (o) to each pillar of each Side Panel Assembly (t) as shown in Diagram 1. If you wish to install the Carpet Spikes (a), thread each Carpet Spike into the foot as seen in Diagram 1. You can adjust the height of the Carpet Spikes with the Nut shown in the Detailed View of Diagram 1.

Warning: The ends of the carpet spikes are sharp and may scratch floors or furniture. All sharp objects can be hazardous to children. For this reason we provide the carpet spikes as an option. Sanus Systems will not be liable for damage or injury.



Step 2: Attach the Front Rails to the Side Panel Assembly

Attach the Front Rail (r) to the Side Panel Assembly (t) by sliding the clamp down the groove in the Side Panel pillar as shown in the Top View A of Diagram 2. Make sure the flat smooth side of the Front Rail is facing outward, as shown in Diagram 2. Once the Front Rail is positioned at the bottom of the groove and resting on the Foot (m), tighten the allen bolt on the back side of the Front Rail so the clamp widens to hold the Front Rail firmly in place. Repeat process for the other Front Rail, making sure it is level with the corner pillar.



Step 3: Add second Side Panel Assembly

Attach the second Side Panel Assembly (t) by lining up and inserting both Front Rails (r) into the groove in the corner pillar. If the clamp on the Front Rail will not fit in the groove, make sure the allen bolt (labeled in the Top View) is loose so the clamps are close together. Once you have the Front Rails aligned so the bottom one is resting on the Foot (o), and the top one is level with the corner pillar, tighten the allen bolt in the back of the Front Rail to widen the clamp to secure it to the pillar. See the Top View of Diagram 3 for assistance.

Top View
(Front Right Corner)

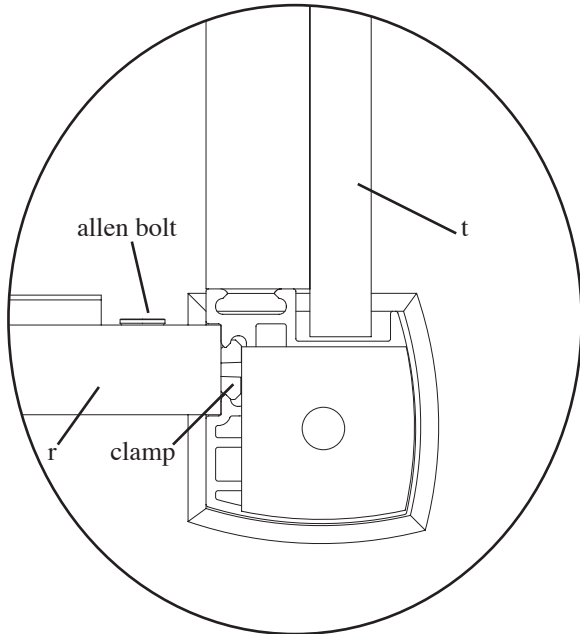
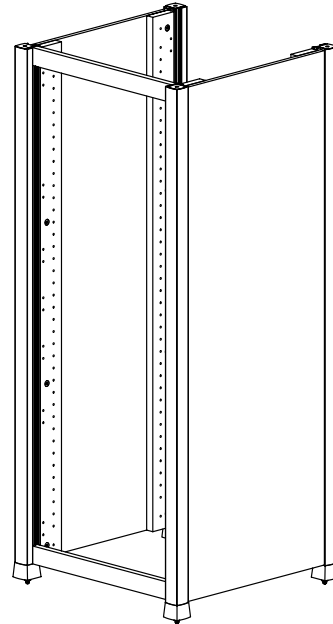


Diagram 3

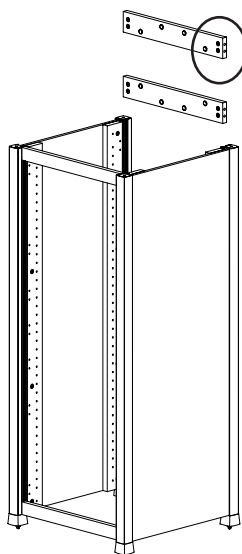


Step 4: Attach the Back Rails

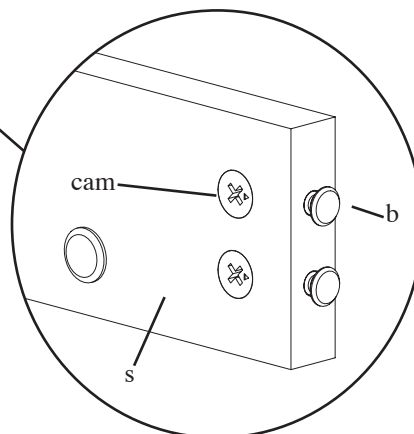
Attach the Cam Pins (b) to the Back Rail (s). Make sure the arrow on each Cam is facing the hole in the outside of the Back Rail and add two Cam Pins to each end of the Back Rail as shown in the Detailed View of Diagram 4. Insert the Cam Pins until there is a small space between the head of the pin and the Back Rail.

Attach the Back Rail by sliding the cam pins down the groove on the Side Panel pillar as shown in the Top View of Diagram 4. Once the Back Rail is resting on the Foot (o), tighten the cams labeled in Diagram 4 to hold it in place. Make sure the bottom Back Rail is oriented so the threaded holes near the ends are on the top, and the Cams face inside the cabinet, as seen in Diagram 4. Make sure the top Back Rail is oriented so the threaded holes near the ends are on the bottom, and the Cams face inside the cabinet, as seen in Diagram 4

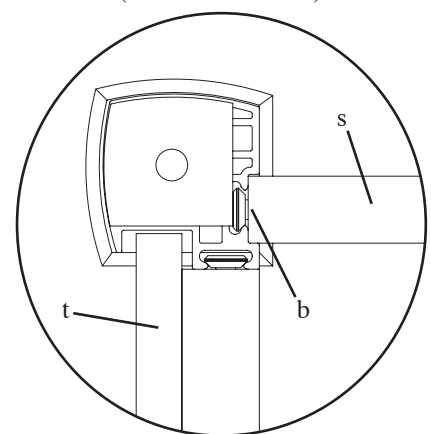
Diagram 4



Detailed View

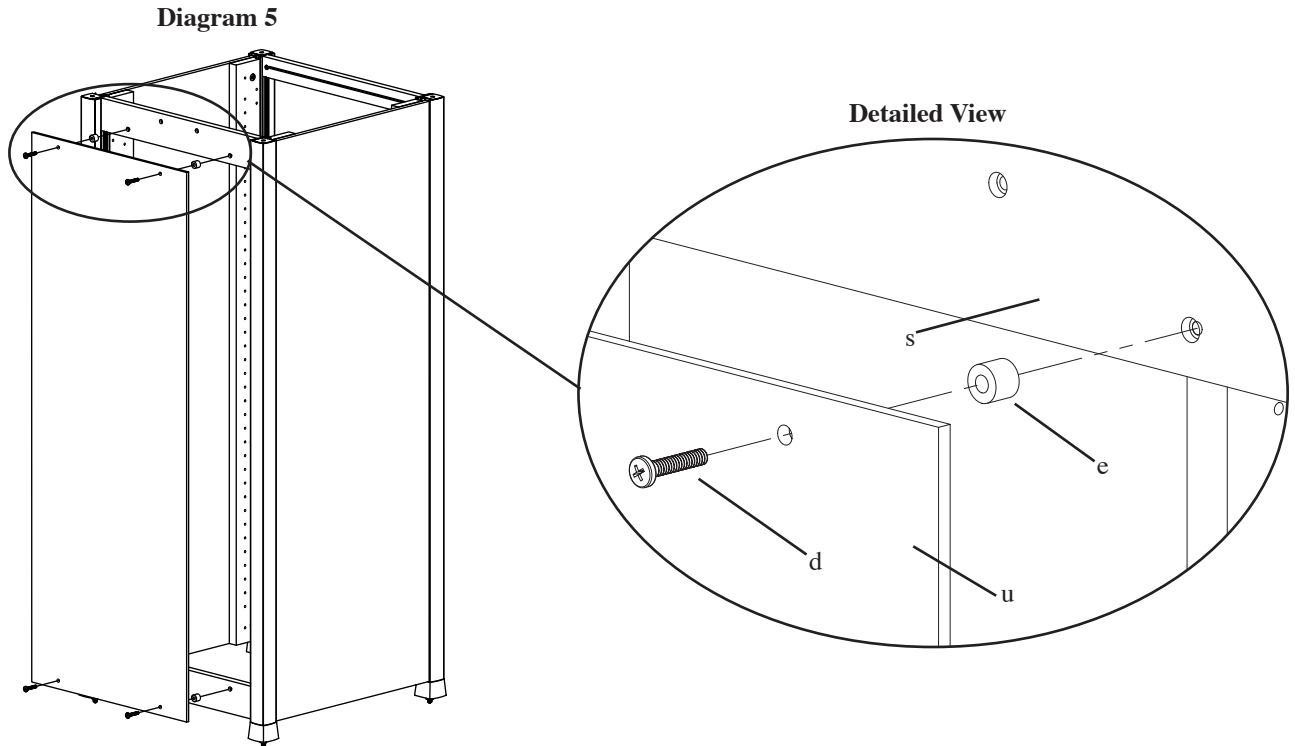


Top View
(Back Left Corner)



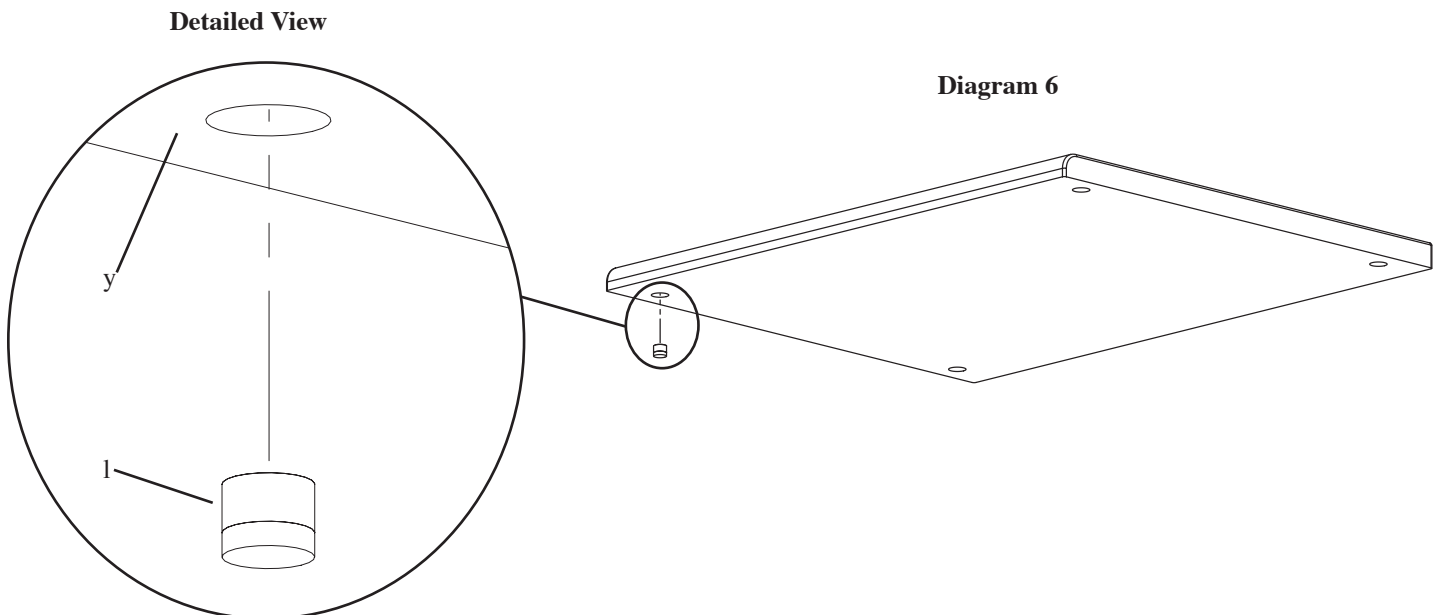
Step 5: Add the Back Panel

Insert a Back Panel Bolt (d) through the Back Panel (u), a Spacer (e) and thread it into the Back Rail (s) as seen in the Detailed View of Diagram 5. Repeat the process until all 4 Back Panel Bolts are attached to the Back Rails. Proceed to tighten the Back Panel Bolts.



Step 6: Add Isolation Pads to Isolation Shelf

Add an Isolation Pad (l) to each hole in the Isolation Shelf (y) by peeling off the adhesive cover from the soft side of the Isolation Pad as shown in the Detailed View of Diagram 6. Make sure the soft side of the Isolation Pad is facing toward the shelf when inserting it into the Isolation Shelf.

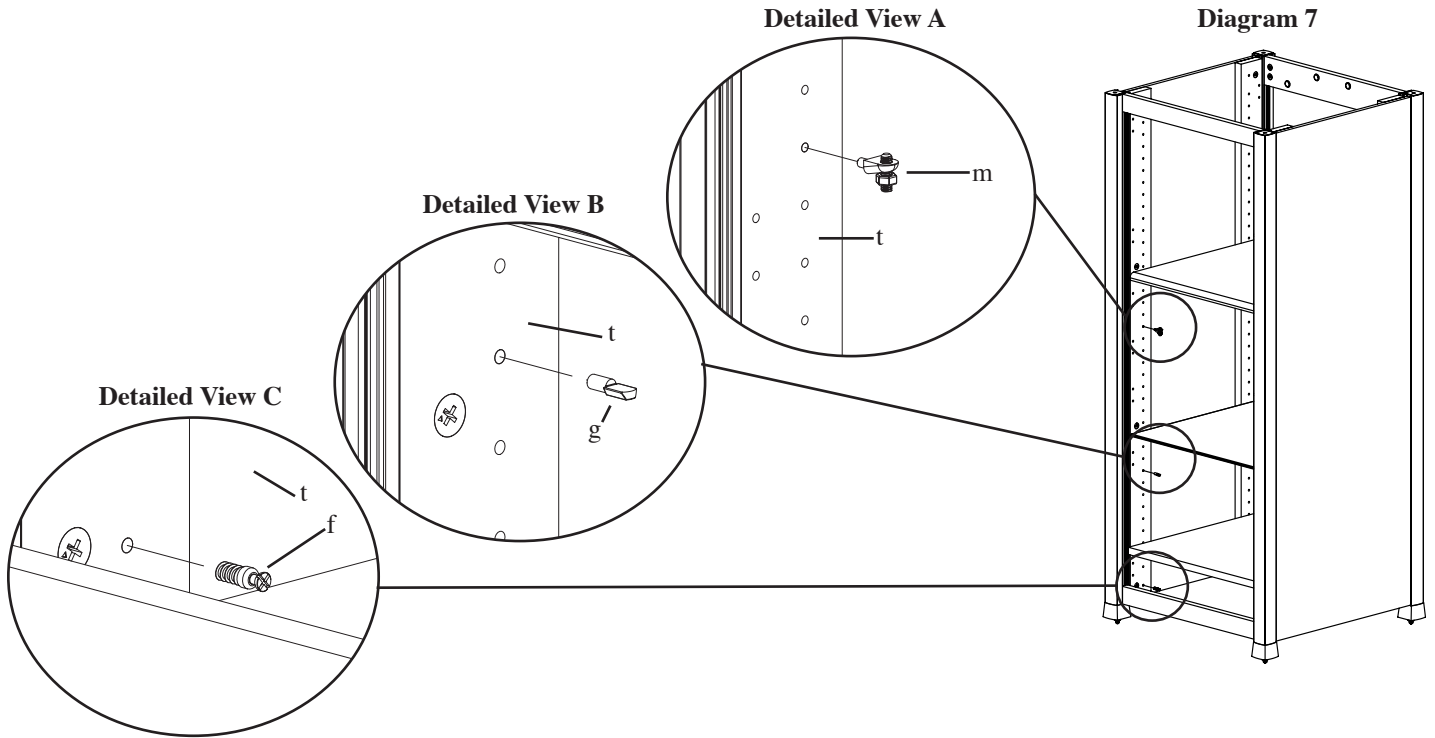


Step 7: Add Shelves

Add 4 Shelf Pins (g) for the Isolation Shelf (y) at the desired height as shown in Detailed View A of Diagram 7. Next, align the holes on the bottom side of the Isolation Shelf with the Shelf pins, and proceed to place the shelf on the Shelf Pins. You can level the Isolation Shelves by adjusting the Bolt in the Shelf Pin. The nut will hold Bolt in place.

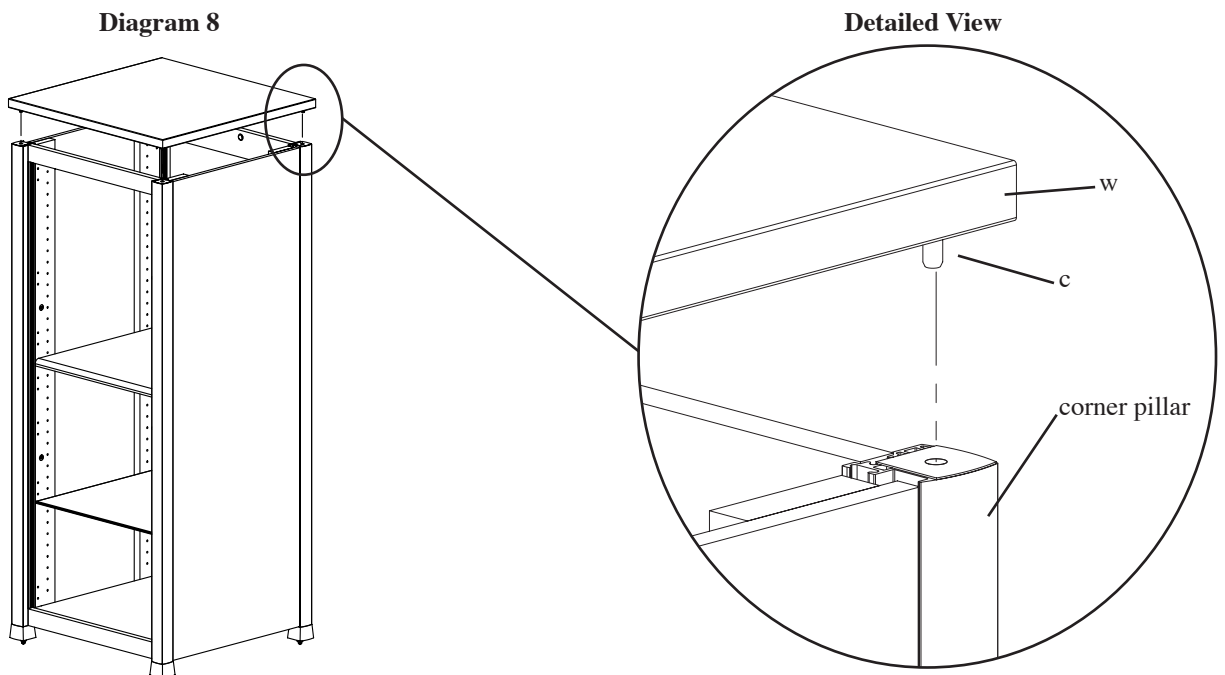
To add the Glass Shelf (x), insert 4 Shelf Pins (g) at the desired height into the Side Panels as shown in the Detailed View B of Diagram 7. Proceed to place the Glass Shelf on the Shelf Pins.

Thread a Bottom Shelf Pin (f) into the Side Panel (t) as shown in Detailed View C of Diagram 7. Repeat process until all four Bottom Shelf Pins have been inserted into the Side Panel. Proceed to press fit the Bottom Shelf (z) so it is locked into the Bottom Shelf Pins.



Step 8: Fit Top to assembly

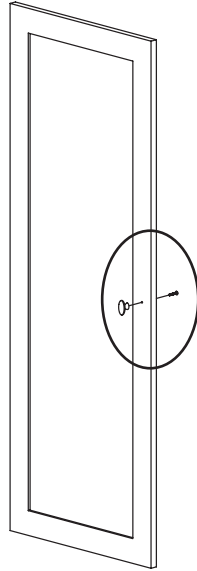
Insert a Dowel (c) into each corner hole in the bottom side of the Top (w). Gently tap the Dowels in. Press fit the Top to the assembly so the Dowels go into the holes in the corner pillars as seen in the Detailed View of Diagram 8. Make sure the Top is flush with the corner pillars.



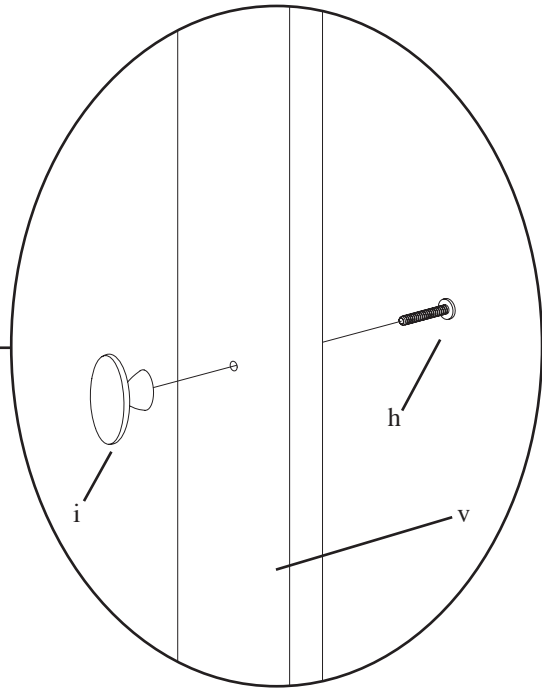
Step 9: Prepare the Door

Insert a Knob Bolt (h) through the backside of the Door (v) and proceed to thread it into the Knob (i). Tighten until the Knob is flush with the front side of the Door. See the Detailed View of Diagram 9 for assistance.

Diagram 9



Detailed View

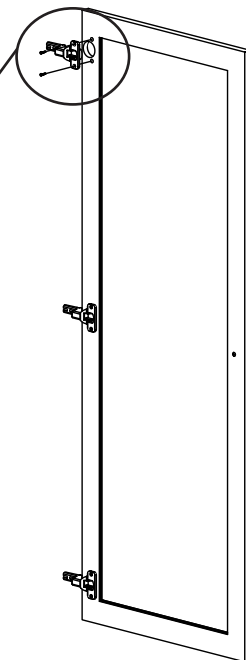
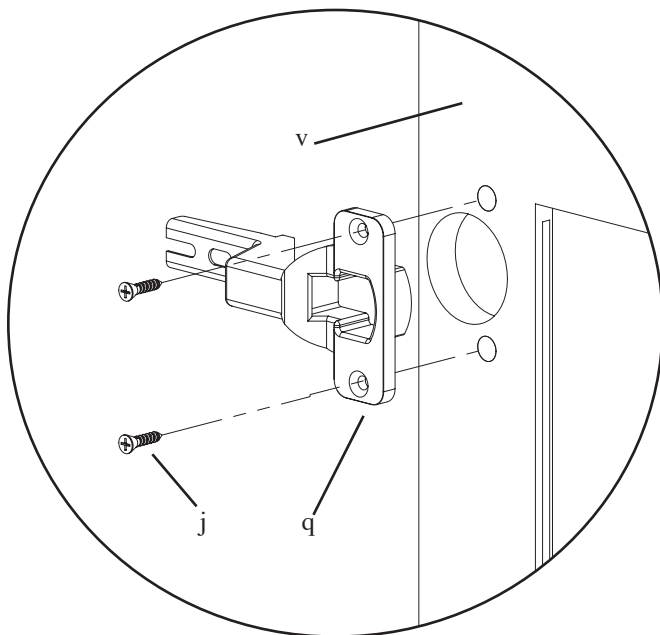


Step 10: Add Door Hinges

Attach the Hinge (q) to the Door (v) by threading a Hinge Screw (j) through each hole in the Hinge and into the Door. See the Detailed View of Diagram 10 for assistance. Tighten each Hinge screw until the Hinge is secure to the Side Door. Repeat the process for the two Hinges.

Diagram 10

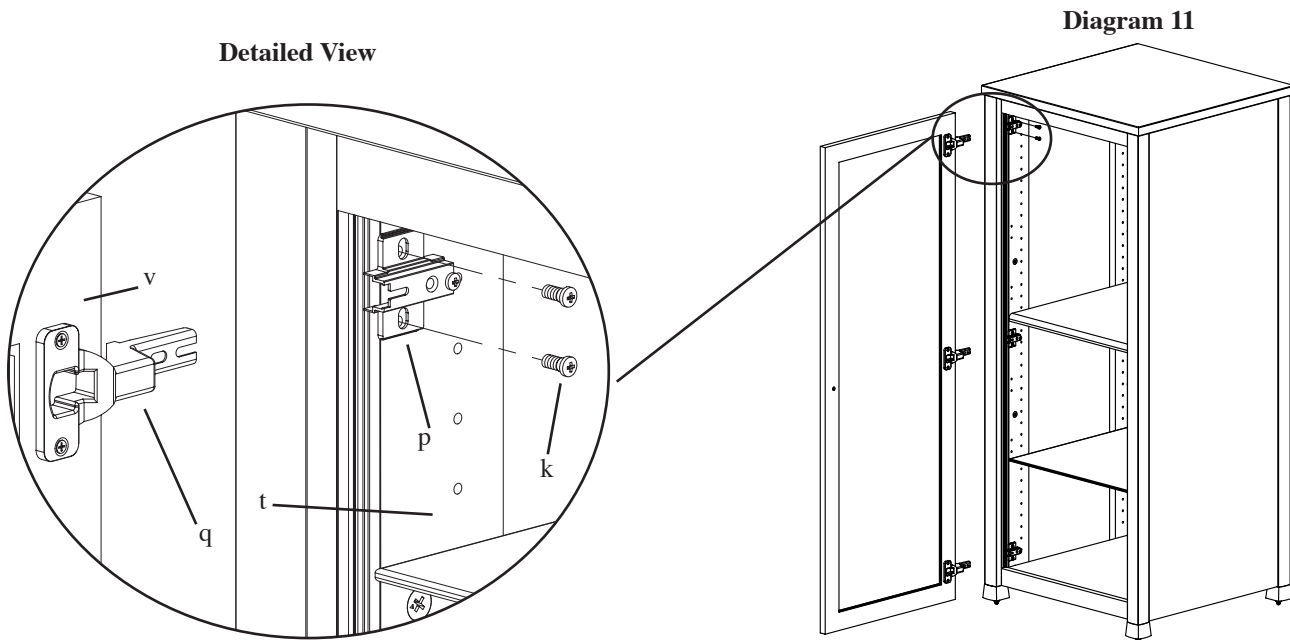
Detailed View



Step 11: Add Door to Side Panel

Attach the Hinge Plates (p) by threading a Hinge Plate Screw (k) through each hole in the Hinge Plate and into the Side Panel as shown in the Detailed View of Diagram 11. Repeat the process until both Hinge Plates are attached. Proceed to tighten the Hinge Plate Screws with a phillips screw driver until tight.

To attach each Hinge (q) to its Hinge Plate, the bolt along the back center of the Hinge Plate must be loose during installation. The slot on the end of the Hinge will fit around the bolt on the Hinge Plate. The top and bottom Hinges should engage at the same time as shown in Diagram 11. Once the two parts of the Hinge are mated, tighten the bolt on the Hinge Plate firmly with a screwdriver.



Step 12: Hinge Adjustment

Each hinge Assembly is adjustable in multiple directions. See Diagram 12 for assistance.

Diagram 12

