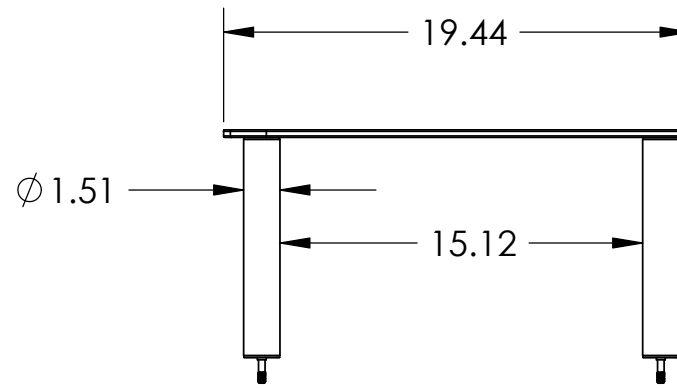
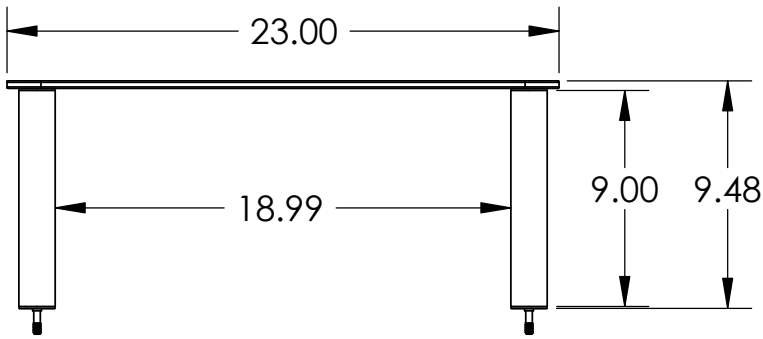
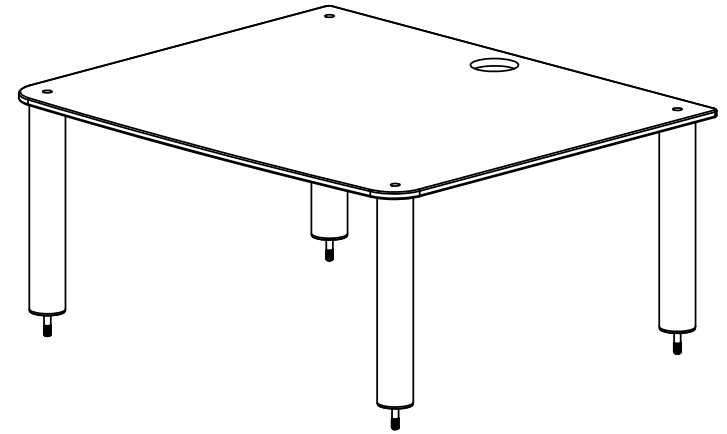


Maximum Capacity:  
75lbs.



|                                  | NAME | DATE    | SANUS SYSTEMS      |              |
|----------------------------------|------|---------|--------------------|--------------|
| DRAWN                            | NAS  | 9/27/05 | TITLE:<br><br>AFSg |              |
| CHECKED                          |      |         |                    |              |
| ENG APPR.                        |      |         |                    |              |
| MFG APPR.                        |      |         |                    |              |
| Q.A.                             |      |         |                    |              |
| <p><b>Accurate Furniture</b></p> |      |         | SCALE: 1:8         | SHEET 1 OF 1 |

**PROPRIETARY AND CONFIDENTIAL**  
THE INFORMATION CONTAINED IN THIS DRAWING IS THE SOLE PROPERTY OF SANUS SYSTEMS. ANY REPRODUCTION IN PART OR AS A WHOLE WITHOUT THE WRITTEN PERMISSION OF SANUS SYSTEMS IS PROHIBITED.