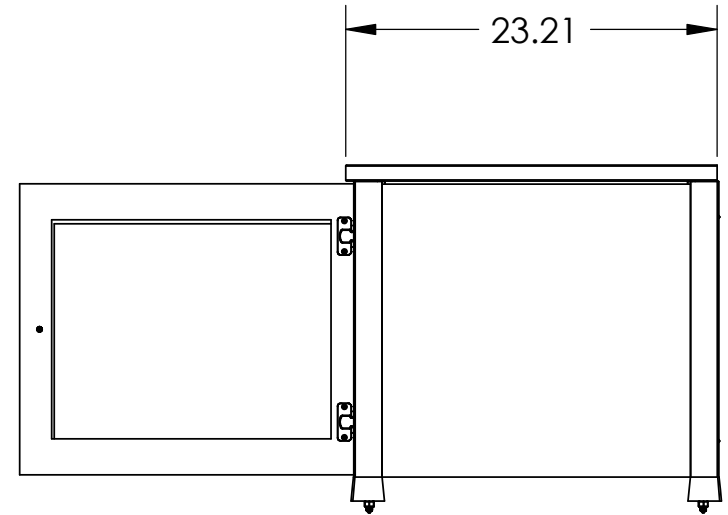
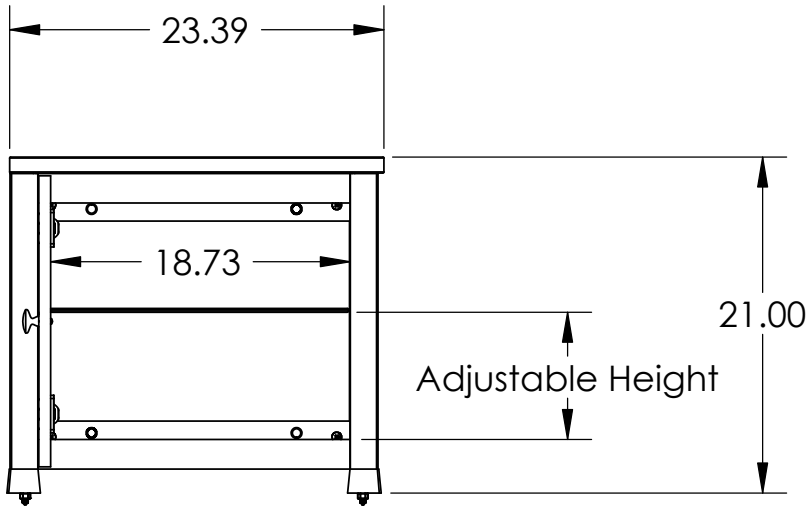
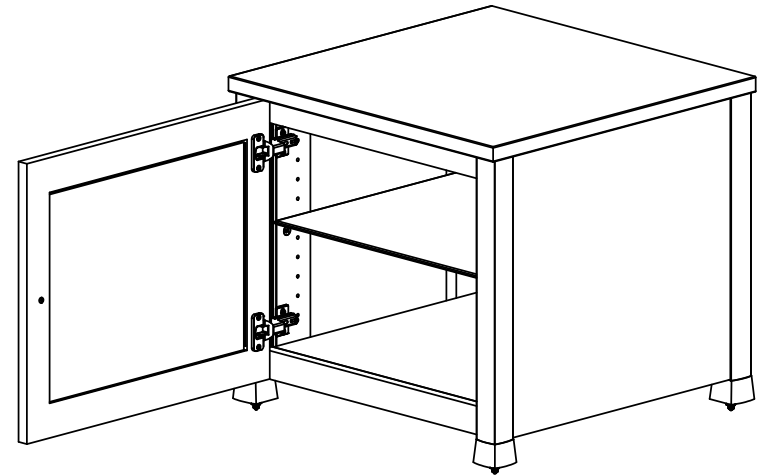


Top Shelf Capacity
60lbs.
Mid Shelf Capacity
50lbs.
Bottom Shelf Capacity
100lbs.



	NAME	DATE	SANUS SYSTEMS	
DRAWN	NAS	9/28/05		
CHECKED			TITLE: CFA21	
ENG APPR.				
MFG APPR.				
Q.A.				
<p>PROPRIETARY AND CONFIDENTIAL THE INFORMATION CONTAINED IN THIS DRAWING IS THE SOLE PROPERTY OF SANUS SYSTEMS. ANY REPRODUCTION IN PART OR AS A WHOLE WITHOUT THE WRITTEN PERMISSION OF SANUS SYSTEMS IS PROHIBITED.</p>			Component Furniture	