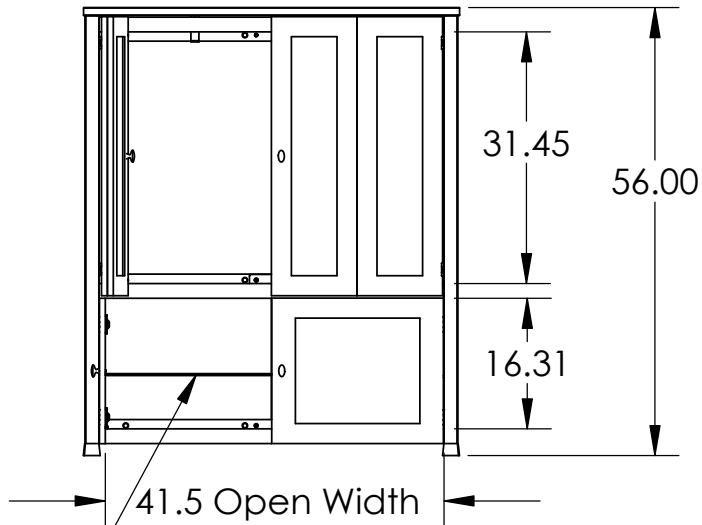
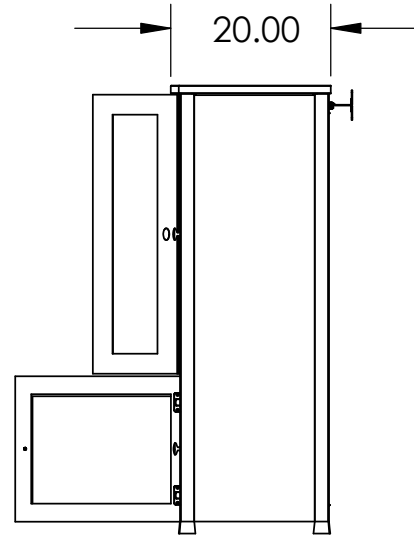
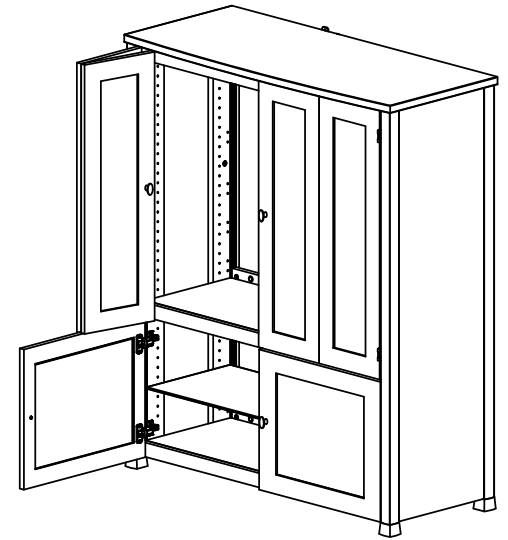


Mid Shelf Capacity  
100lbs.  
Bottom Shelf Capacity  
150lbs.



Adjustable height  
glass shelf

	NAME	DATE
DRAWN	NAS	9/28/05
CHECKED		
ENG APPR.		
MFG APPR.		
Q.A.		

<b>SANUS SYSTEMS</b>		
TITLE:		
<b>CFAR47</b>		
SCALE: 1:24		SHEET 1 OF 1

**PROPRIETARY AND CONFIDENTIAL**  
THE INFORMATION CONTAINED IN THIS DRAWING IS THE SOLE PROPERTY OF SANUS SYSTEMS. ANY REPRODUCTION IN PART OR AS A WHOLE WITHOUT THE WRITTEN PERMISSION OF SANUS SYSTEMS IS PROHIBITED.

Component  
Furniture