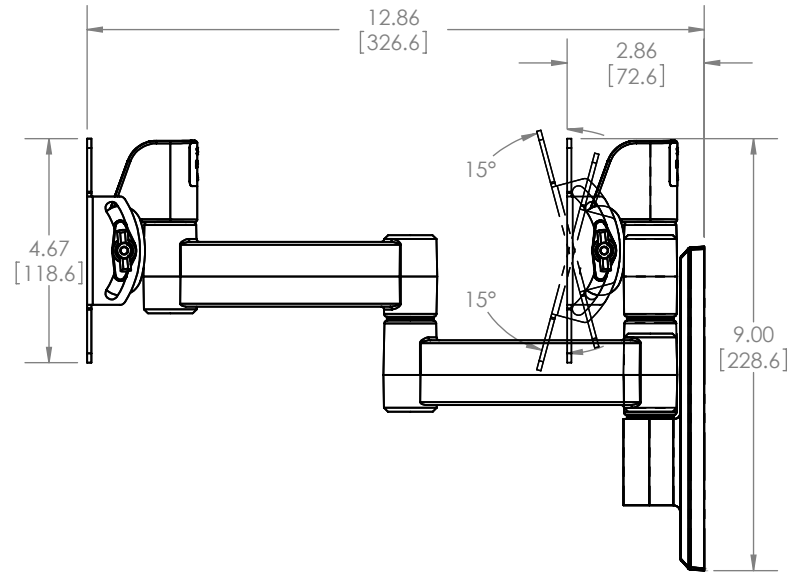
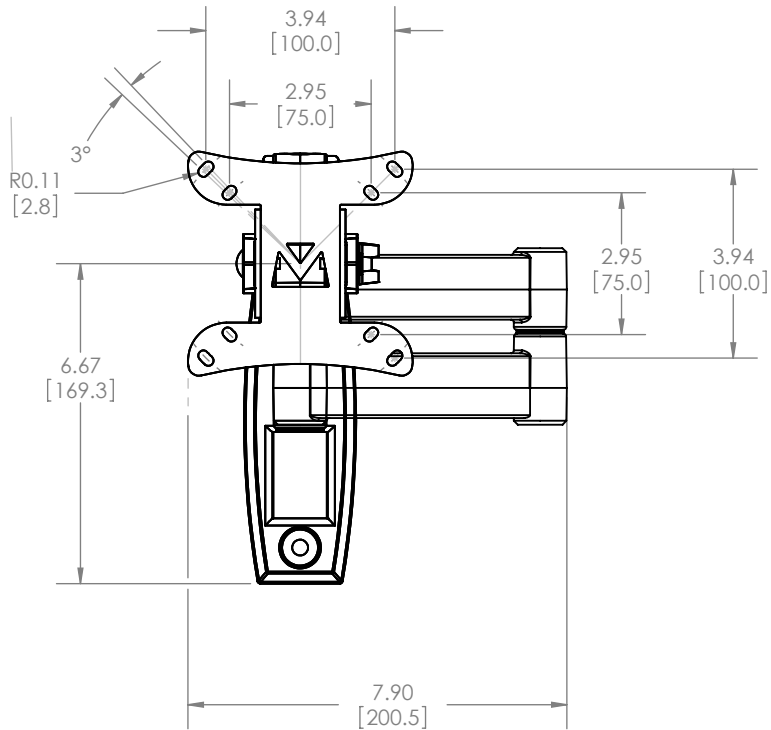
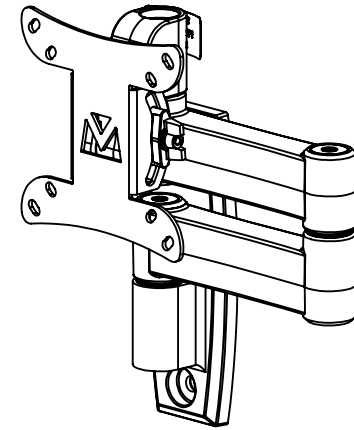


MAXIMUM WEIGHT CAPACITY:
50 LBS.



	NAME	DATE	SANUS SYSTEMS TITLE: SF213-XX
ENGINEER	J BURES	11/19/07	
DESIGNER	JKV	11/20/07	
APPROVED	J BURES	11/20/07	
NOTES:			
TEMPLATE REV.: 04			SHEET 1 OF 1

PROPRIETARY AND CONFIDENTIAL
 THE INFORMATION CONTAINED IN THIS DRAWING IS THE SOLE PROPERTY OF SANUS SYSTEMS. ANY REPRODUCTION IN PART OR AS A WHOLE WITHOUT THE WRITTEN PERMISSION OF SANUS SYSTEMS IS PROHIBITED.