

SANUS®

Assembly Instructions for Model: AFAB

Thank you for choosing the Sanus AFAB. The AFAB four shelf audio stand is designed for basic systems. Every effort has been made to ensure that your Sanus furniture is perfect. If you have questions or feel that there is a problem of any kind, please contact us at 800-359-5520 or at www.sanus.com. We can quickly help with any issues regarding assembly or missing parts. Replacement parts for Sanus products purchased through authorized dealers will be shipped directly to you.



Supplied Parts List



9" Pillar - A
Qty. 12



3" Pillar - B
Qty. 4



Foot Pad - C
Qty. 4



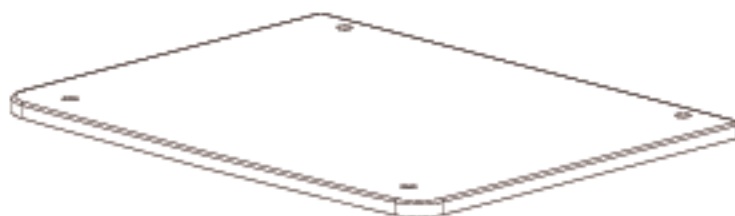
Wire Hole Bushing - D
Qty. 3



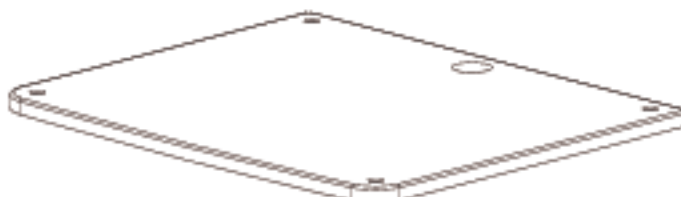
Shelf Connector - E
Qty. 12



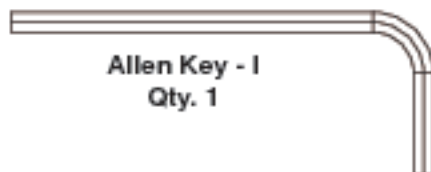
Top Bolt - F
Qty. 4



Top Shelf - G
Qty. 1



Lower Shelf - H
Qty. 3



Allen Key - I
Qty. 1

Step 1 - Assemble the four 3" Pillars

Screw a Foot Pad (C) into each of the four 3" Pillars (B); then, hand thread one Shelf Connector (E) into each 3" Pillar.

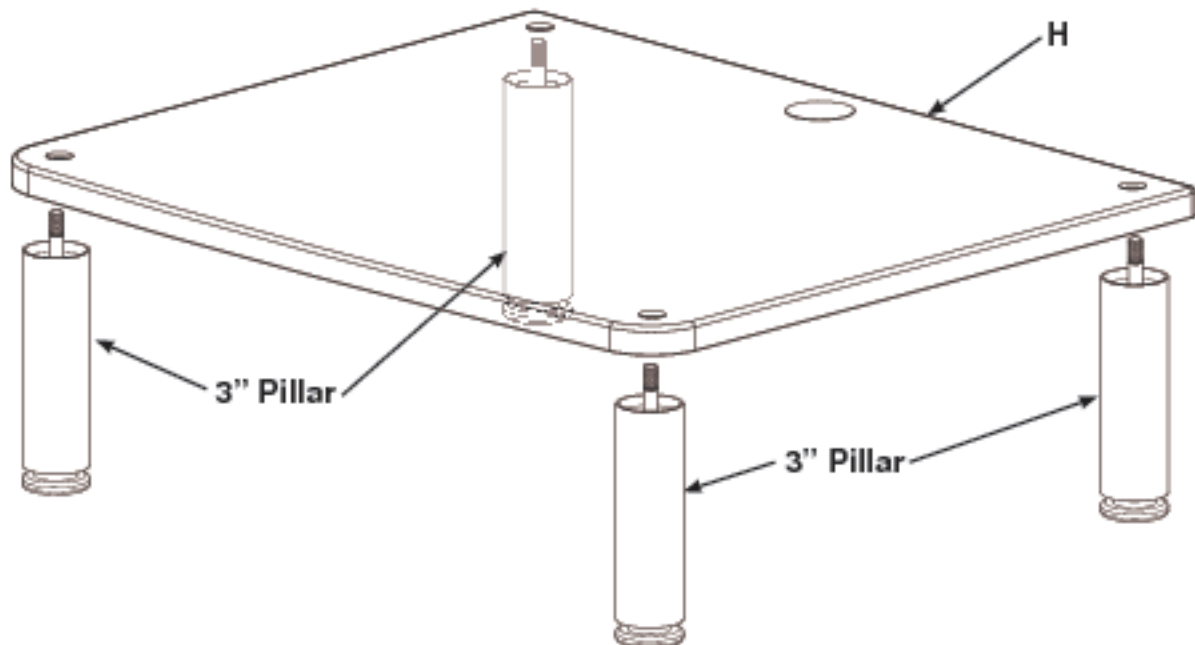
Diagram 1



Step 2 - Insert four 3" Pillars into Lower Shelf

Insert the four 3" Pillars from Step - 1 into one Lower Shelf (H).

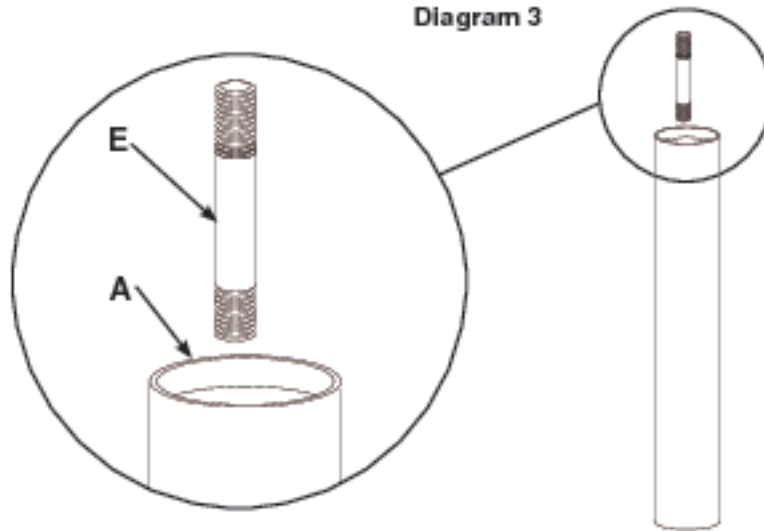
Diagram 2



Step 3 - Assemble eight 9" Pillars

Screw one Shelf Connector (E) into eight of the 9" Pillars (A).

Diagram 3



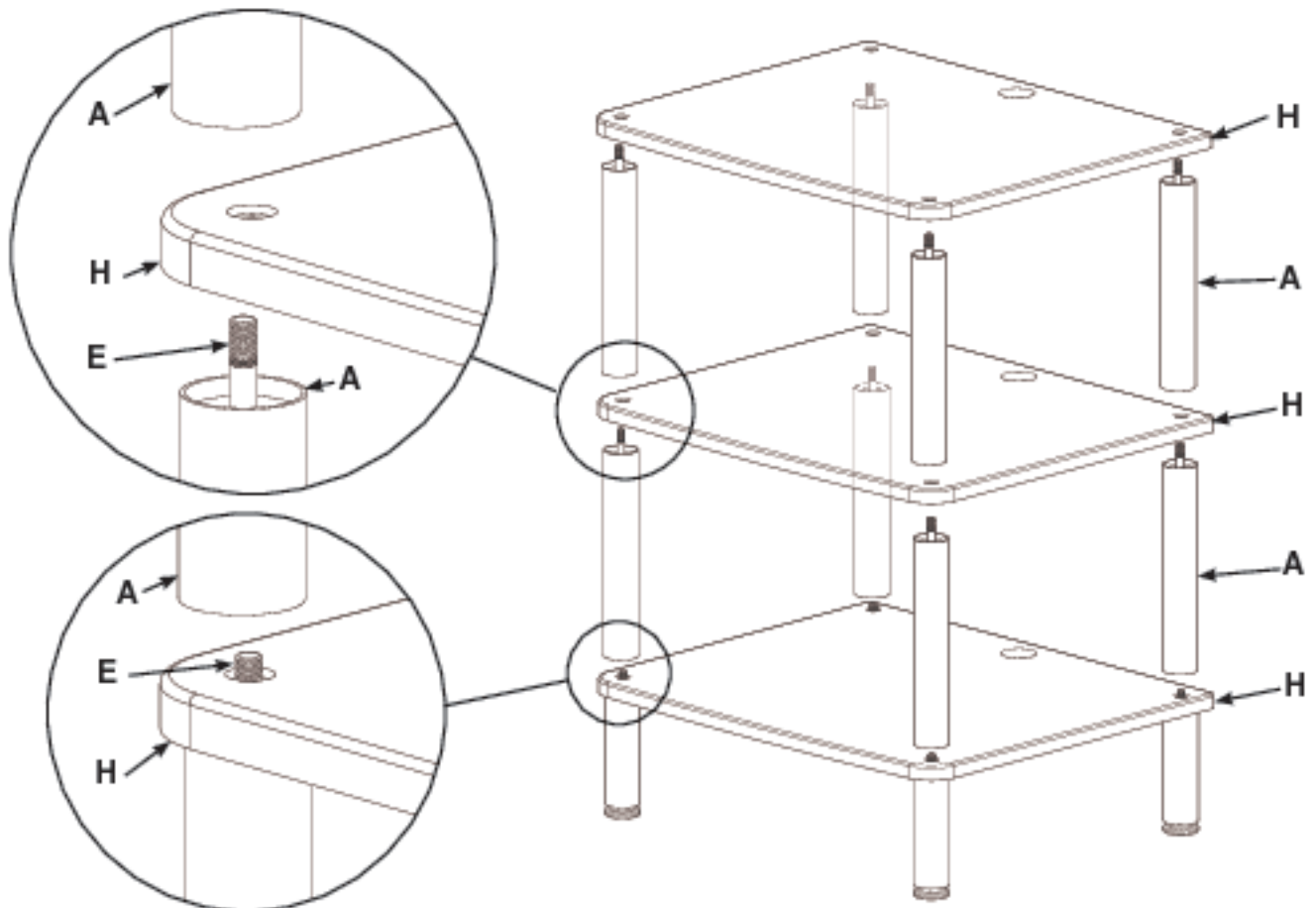
Step 4 - Assemble Lower Shelves

Screw the 9" Pillars (A) with Shelf Connectors (E) onto the threaded portion of the Leg Assemblies.

Place a Lower Shelf (B) onto the four 9" Pillars.

Repeat the above Steps for the next shelf.

Diagram 4

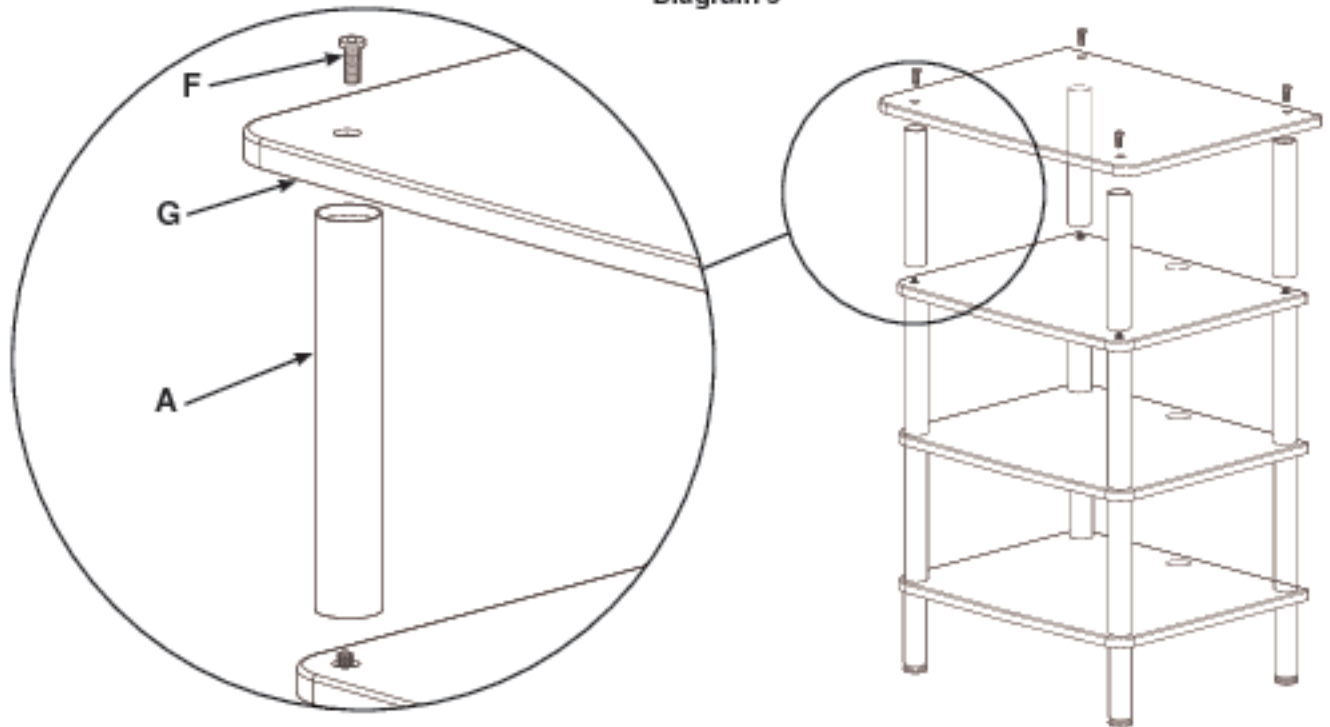


Step 5 - Top Shelf Pillars

Screw the 9" Pillars (A) without Shelf Connectors (E) onto the threaded portion of the Leg Assemblies.

Place the Top Shelf (G) on the four 9" Pillars (A); then, using the four Top Bolts (F), secure the Top shelf to the 9" Pillars.

Diagram 5



Step 6 - Install Wire Hole Bushings

Press a Wire Hole Bushing (D) into each of the holes in the back of the Lower Shelves (H).

Diagram 6

