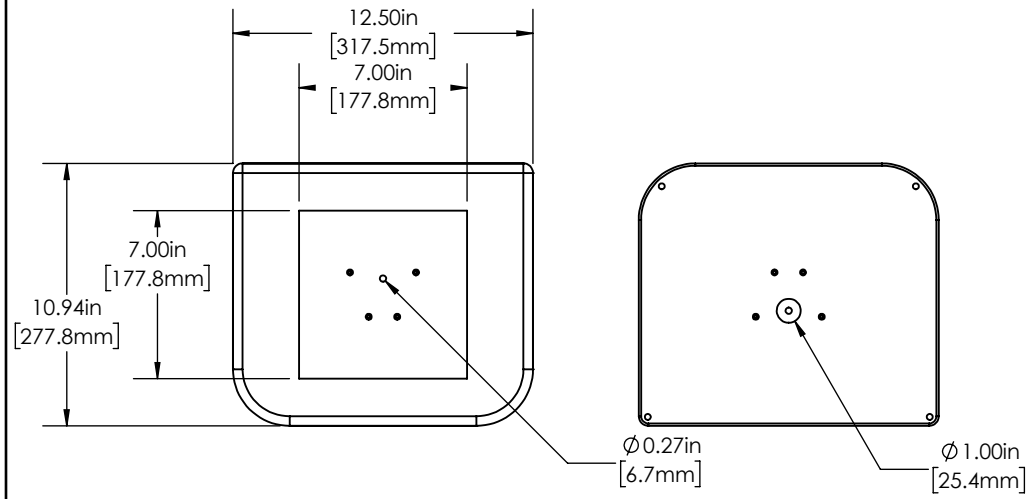


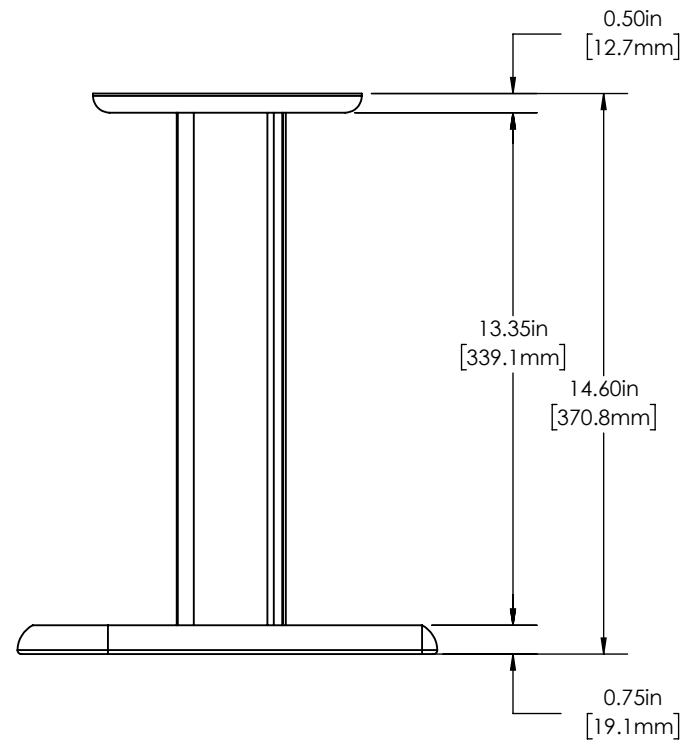
TOP VIEW / BOTTOM VIEW



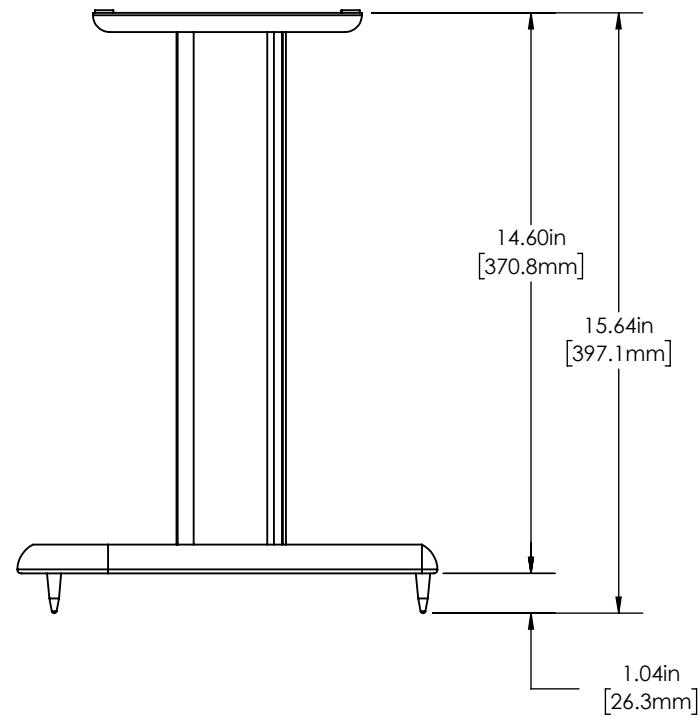
**16" SPEAKER STAND
6805-002409-XXX**

THE INFORMATION AND DESIGNS CONTAINED IN THIS DRAWING ARE CONFIDENTIAL AND THE PROPRIETARY PROPERTY OF LEGRAND | AV. NEITHER THIS DESIGN NOR ANY INFORMATION CONTAINED IN THIS DRAWING MAY BE REPRODUCED OR DISCLOSED TO OTHERS WITHOUT THE EXPRESS WRITTEN CONSENT OF LEGRAND | AV.
本图纸所包含的信息和设计均系 LEGRAND | AV 机密和知识产权。本图纸包含的设计和信息未经 LEGRAND | AV 书面同意均不得复制或泄露给他人。

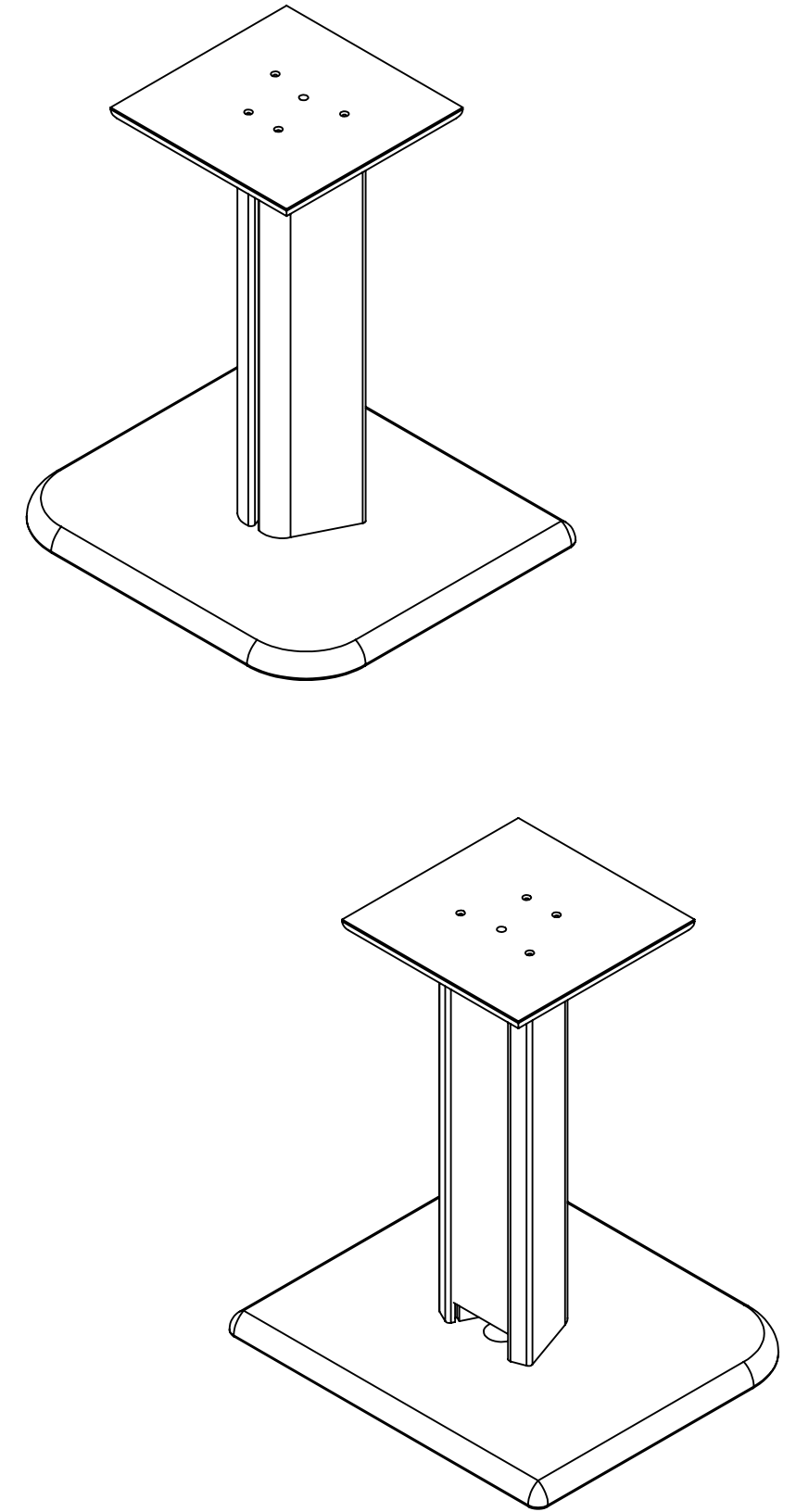
SIDE VIEW



SIDE VIEW - CARPET SPIKES



3-D



16" SPEAKER STAND 6805-002409-XXX

