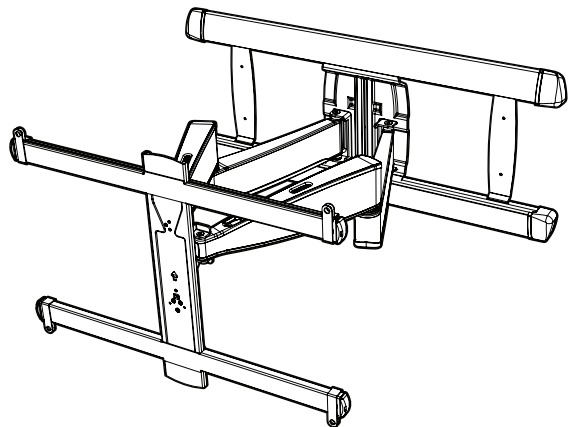


SANUS



BLF328
INSTRUCTION MANUAL

Para Español ver página 30

**GET IT
RIGHT
THE FIRST TIME**

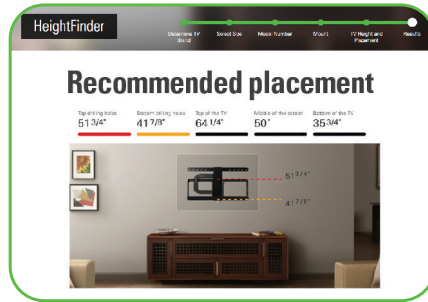
**Follow this step-by-step
instruction manual to
speed up your installation.**

WE'RE HERE TO HELP



Want to watch a video that shows how easy this DIY project will be?

Watch it now at:
[SANUS.com/2783](https://www.sanus.com/2783)



Get it right the first time. HeightFinder™ shows you where to drill.

Check it out at:
[SANUS.com/1172](https://www.sanus.com/1172)



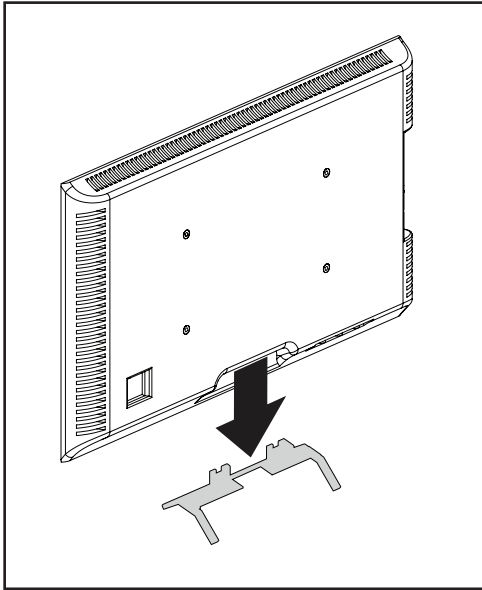
Our US-based install experts are standing by to help.

Call us at:
800-359-5520

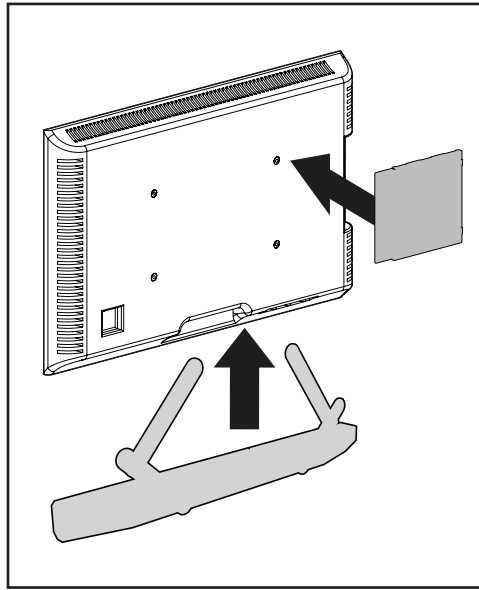
Or, chat at:
[SANUS.com/chatSP](https://www.sanus.com/chatSP)

Before you begin

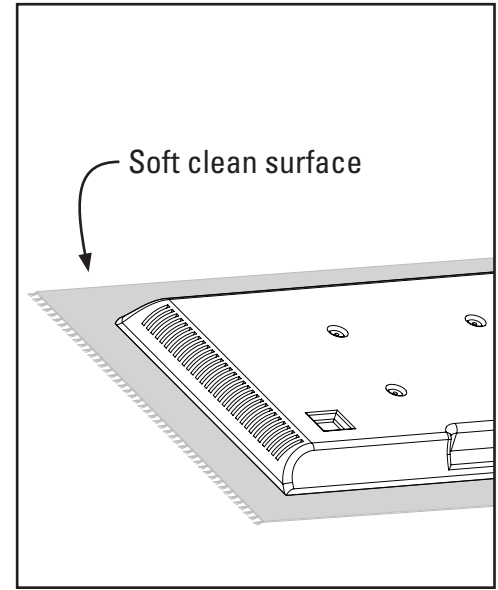
Remove the stand from your TV
— if attached.



Install any accessories
you may have purchased — if they
require the TV to be removed from the
wall for assembly. The TV is removable
for future accessory purchases.



Protect the face of your TV
when laying it down for installation.



IMPORTANT SAFETY INSTRUCTIONS – PLEASE READ MANUAL PRIOR TO USE – SAVE THESE INSTRUCTIONS

Please read through these instructions completely to be sure you're comfortable with this easy install process.

Check your TV owner's manual to see if there are any special requirements for mounting your TV.

If you do not understand these instructions or have doubts about the safety of the installation, assembly or use of this product, contact Customer Service 1-800-359-5520.

⚠ CAUTION: Avoid potential personal injuries and property damage!

- This product is designed ONLY to be installed into wood studs, solid concrete or concrete block.
— **DO NOT INSTALL INTO DRYWALL ALONE — DRYWALL ALONE WILL NOT HOLD THE WEIGHT OF YOUR TV.**
- This product is designed for **INDOOR USE ONLY**.
- The wall must be capable of supporting five times the weight of the TV and mount combined.
- Do not use this product for any purpose not explicitly specified by manufacturer.
- Manufacturer is not responsible for damage or injury caused by incorrect assembly or use.

TV Weight Limit
(including accessories)

DO NOT EXCEED



If your TV (including accessories) exceeds this weight, this mount is NOT compatible.

Visit SANUS.com or call customer service to find a compatible mount.
1-800-359-5520

Wall Construction

ONLY install on these acceptable wall types.

? Unsure

Call Customer Service
1-800-359-5520

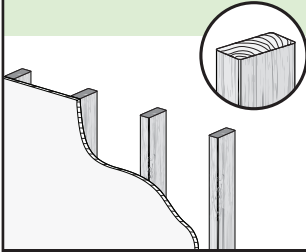
⚠ CAUTION:

DO NOT install in drywall alone

Drywall alone will NOT hold the weight of your TV.

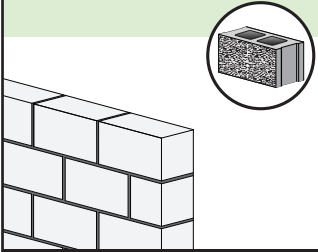


wood studs



ACCEPTABLE

Solid concrete or concrete block



ACCEPTABLE

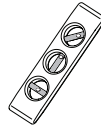
Tools Needed



Tape Measure



Pencil



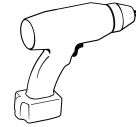
Level



Tape



Screwdriver




Electric Drill




Socket Wrench
1/2 in.
(13 mm)


Wood Stud Install



Stud Finder




Awl




**7/32 in.
(5.5 mm)
Wood
Drill Bit**

Concrete Install



**3/8 in.
(10 mm)
Concrete
Drill Bit**



Hammer

STEP 1

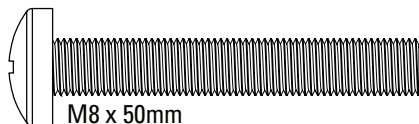
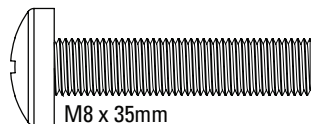
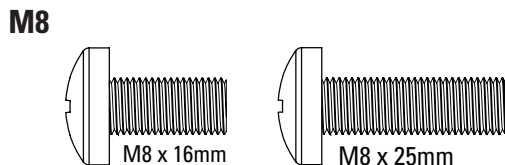
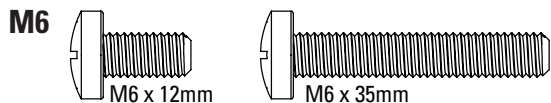
Attach TV Bracket to TV

WARNING: This product contains small items that could be a choking hazard if swallowed. Before starting assembly, verify all parts are included and undamaged. If any parts are missing or damaged, do not return the damaged item to your dealer; contact Customer Service. Never use damaged parts!

NOTE: Not all hardware included will be used.

STEP 1 Parts and Hardware

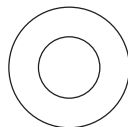
01 TV Screws
(qty. 4 each) [Only one size fits your TV]



Washers
(qty. 4 each)

02

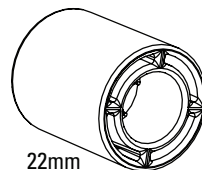
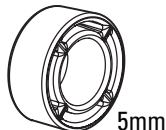
M6/M8



Spacers
[If necessary]
(qty. 4 each)

03

M6/M8



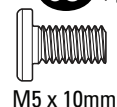
TV Bracket Vertical

04 (qty. 1)



Interface Screw

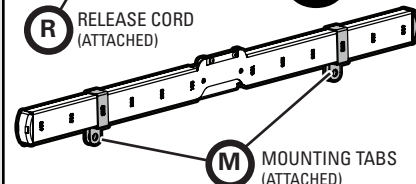
05 (qty. 4)



TV Bracket Horizontal

06 (qty. 2)

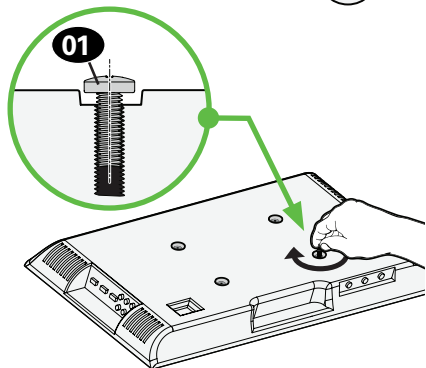
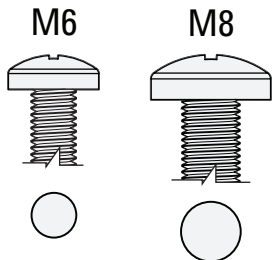
R RELEASE CORD
(ATTACHED)




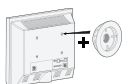
M MOUNTING TABS
(ATTACHED)

1.1 Select TV Screw Diameter

Only one screw size fits your TV.



 If your TV included inset spacers or wall mount adapters, see Troubleshooting on PAGE 29.

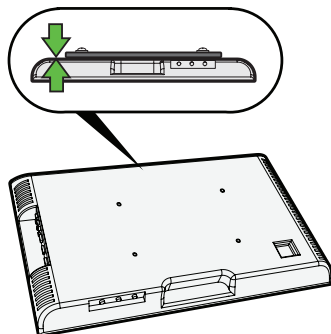


1.2 Select TV Screw Length and Spacers

A NO SPACER

- **Flat Back TV**
[TV brackets lay flat on your TV]

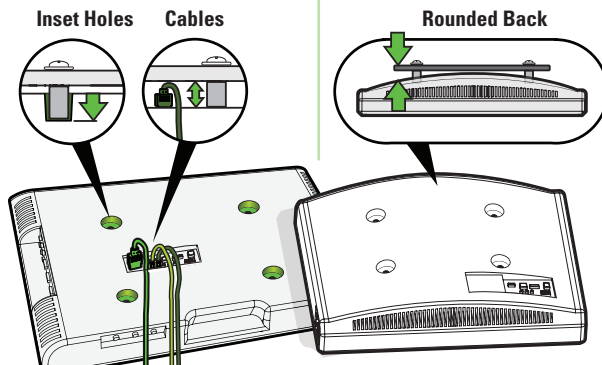
Use **short** TV screws **01**.
Spacers **03** not needed.



B SPACER NEEDED

- **Flat Back TV with Extra Space Needed**
[for deep inset holes or cable interference]
- **Rounded or Irregular Back TV**
[TV brackets NOT resting flat on your TV]

Use **long** TV screws **01** and spacers **03** to create extra space between the TV and TV bracket.



⚠ CAUTION: Verify adequate thread engagement with your screw **01**, washer **02**, spacer **03** combination AND TV bracket **06**.

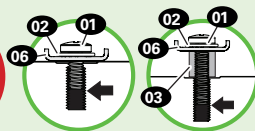
- Too short will not hold your TV.
- Too long will damage your TV.



Too Short

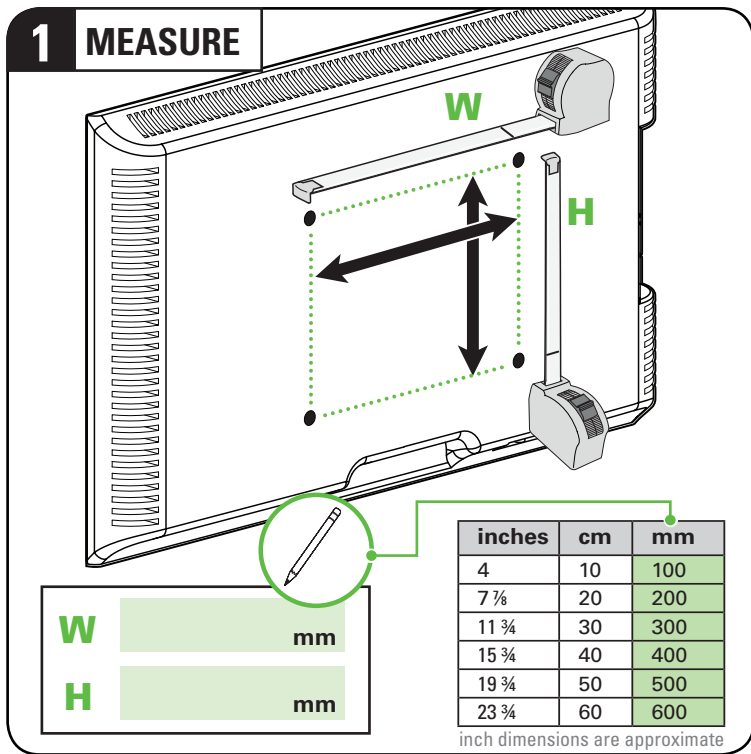


Too Long

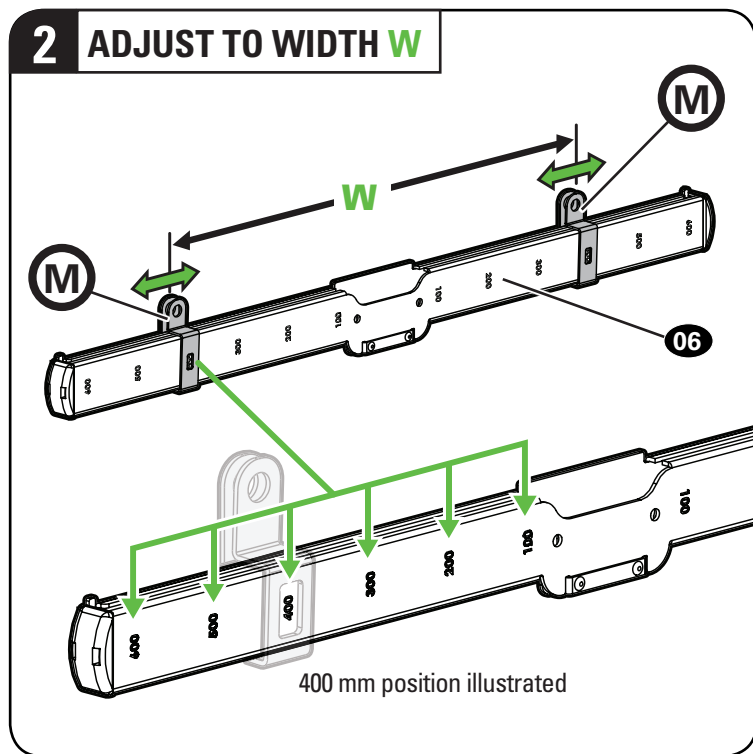


Correct

1.3 Attach TV Brackets to Your TV



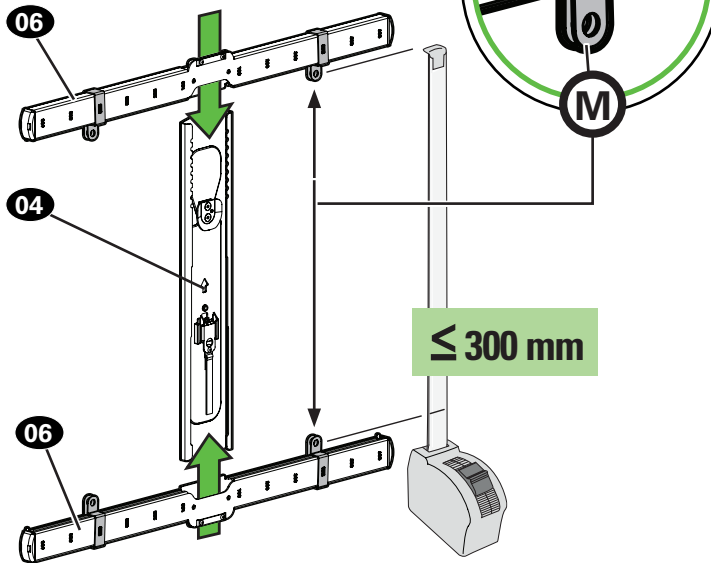
Measure the WIDTH and HEIGHT of your TV's mounting hole pattern.



Adjust mounting tabs **M** on TV brackets **06** to match the width **W** of your TV's mounting hole pattern.

3a ASSEMBLE FOR HEIGHT **H**

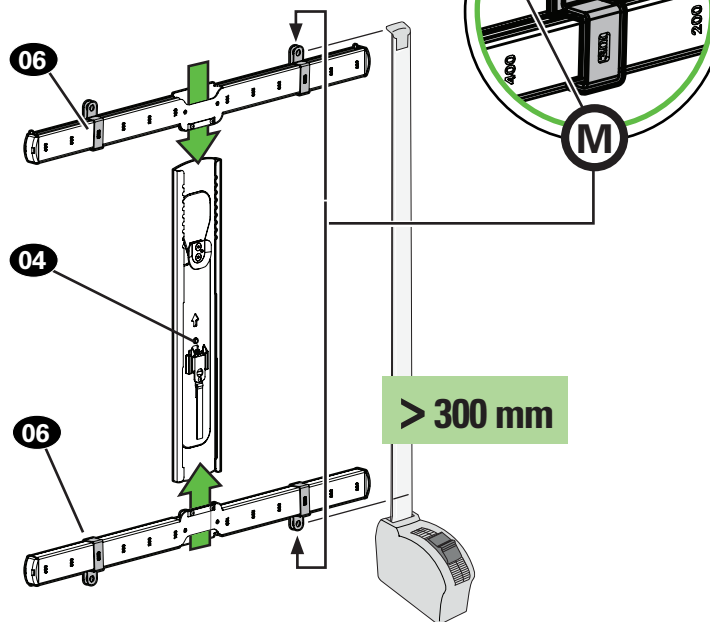
For height 300 mm or less



For hole pattern height **H** 300 mm and less, align horizontal TV brackets **06** with mounting tabs **(M)** to the inside.

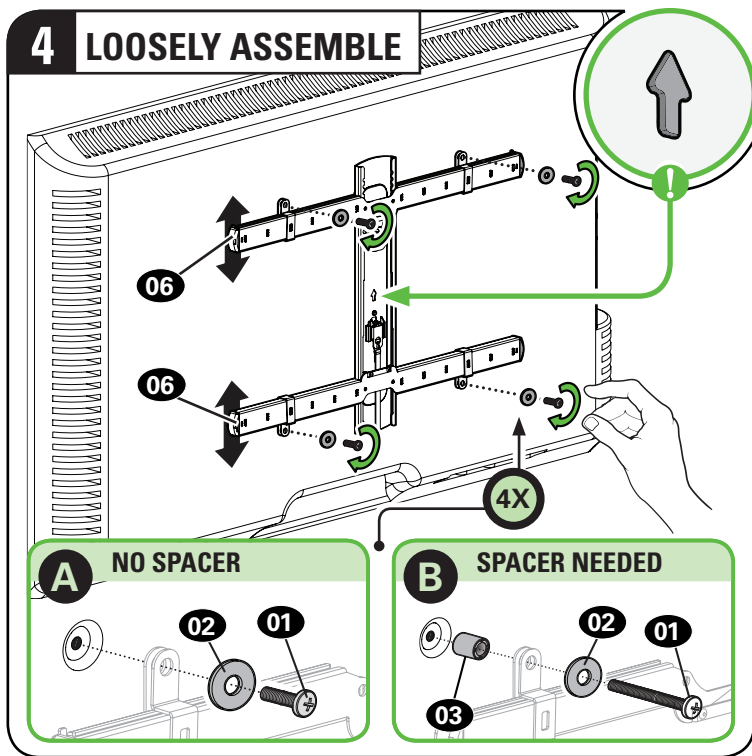
3b ASSEMBLE FOR HEIGHT **H**

For height greater than 300 mm

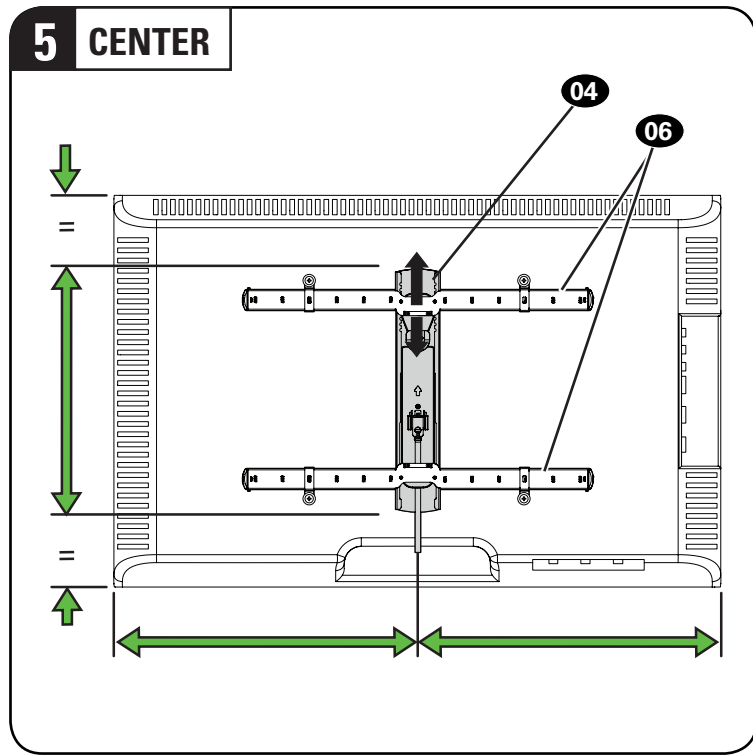


For hole pattern height **H** greater than 300 mm, align horizontal TV brackets **06** with mounting tabs **(M)** to the outside.

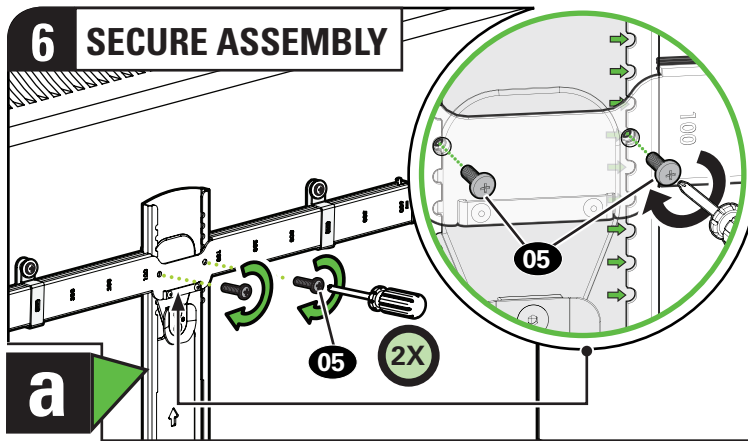
1.3 (continued)



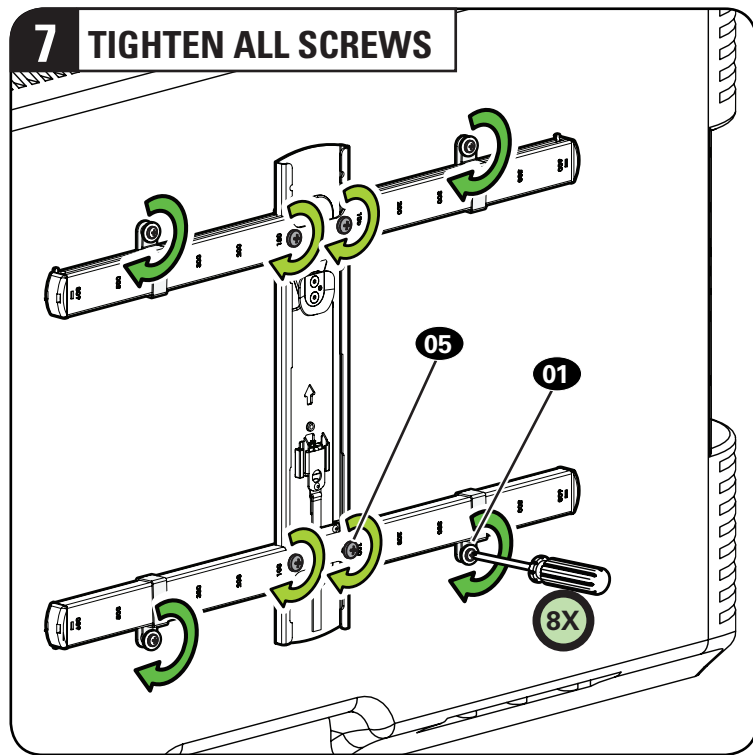
Adjust TV brackets **06** to align with your TV hole pattern. Install using the screw **01**/washer **02**/spacer **03** combination you selected for your TV.



TV bracket **04** must be centered on your TV, but can be offset up or down to avoid cable interference.



Secure the TV brackets using four interface screws **05**, starting with the TOP two screws in the notches shown.



Securely tighten the screws from STEP 4 and STEP 6.

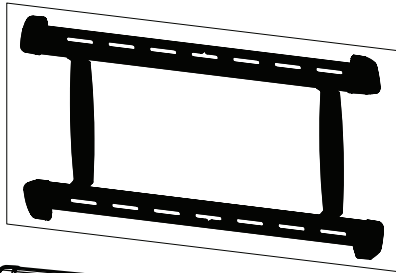
STEP 2

Attach Wall Plate to Wall

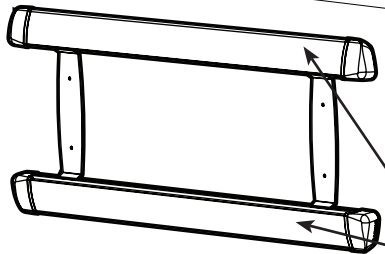
⚠ WARNING: This product contains small items that could be a choking hazard if swallowed. Before starting assembly, verify all parts are included and undamaged. If any parts are missing or damaged, do not return the damaged item to your dealer; contact Customer Service. Never use damaged parts!

📄 NOTE: Not all hardware included will be used.

Parts and Hardware for STEP 2

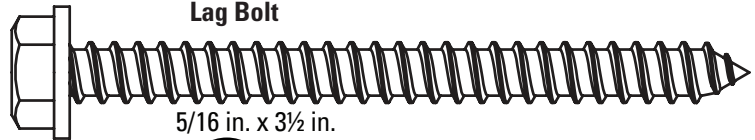


Wall Plate
Template
07 x1



Wall Plate
08 x1

P Cover
(Attached)



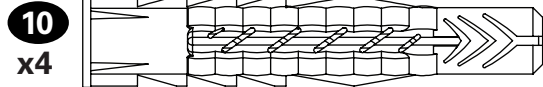
Lag Bolt

5/16 in. x 3½ in.

09 x4

For concrete installations ONLY

⚠ CAUTION: Do not use in drywall or wood
Concrete Anchor



10
x4

Fischer UX10 x 60R

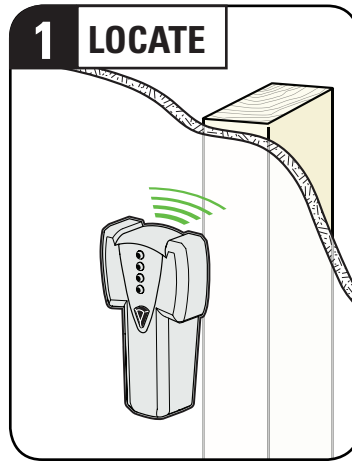
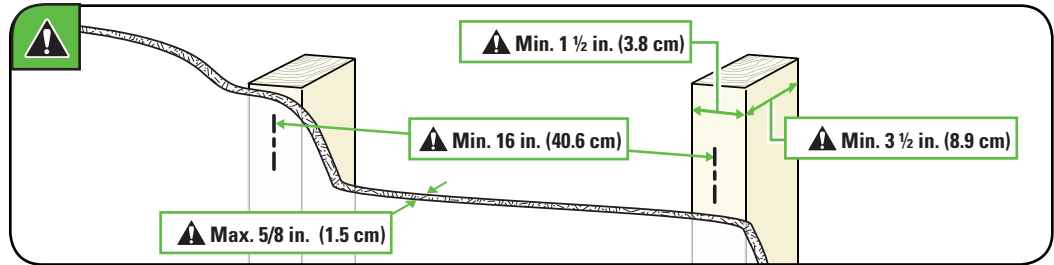
STEP 2A Attach Wall Plate

Wood Stud Installation

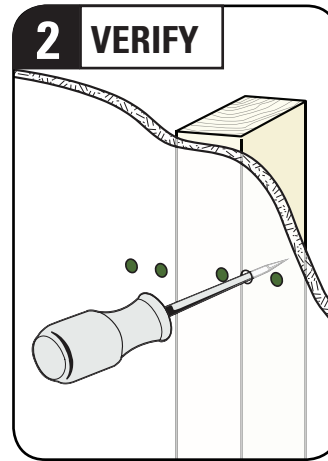


CAUTION: Avoid potential personal injury or property damage!

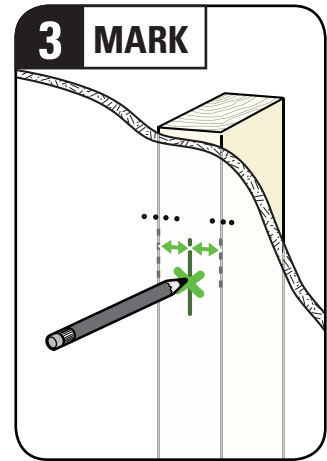
- Drywall covering the wall must not exceed 5/8 in. (1.5 cm)
- Minimum wood stud size: nominal 2 x 4 in. (5.1 x 10.2 cm) actual 1 1/2 x 3 1/2 in. (3.8 x 8.9 cm)
- Minimum horizontal space between fasteners: 16 in. (40.6 cm)
- Stud centers must be verified



Locate the studs using a stud finder.



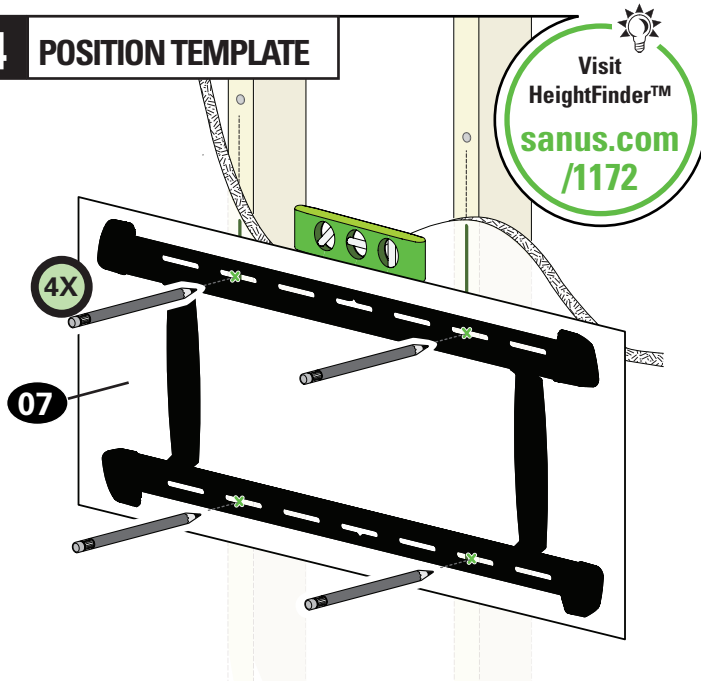
Find the edges of the studs using an awl or small drill bit.



Mark the centers of the studs with a pencil.

STEP 2A (continued)

4 POSITION TEMPLATE

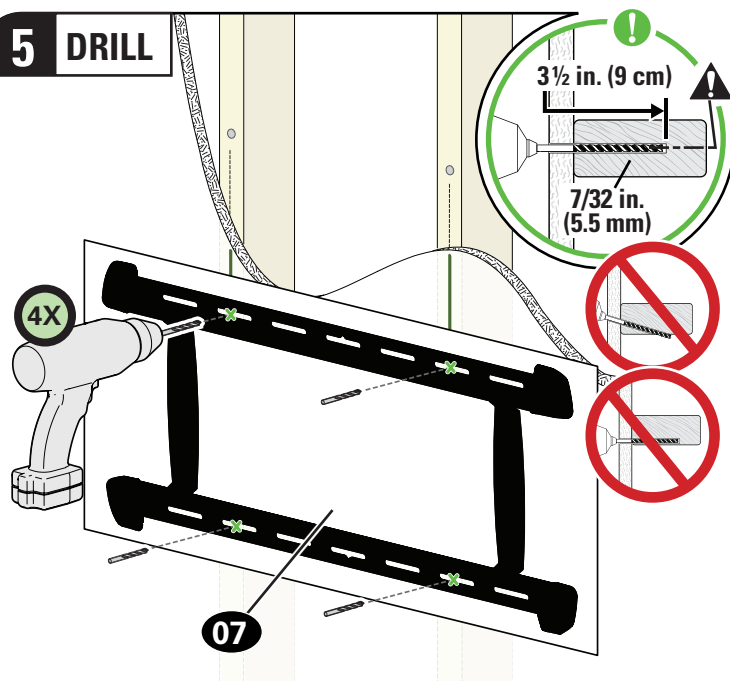


TIP:

To calculate your precise wall plate location, check out our HeightFinder at sanus.com/1172.

Position wall plate template **07** at your desired height, with the slotted holes over your stud center lines. Level and mark the hole locations.

5 DRILL



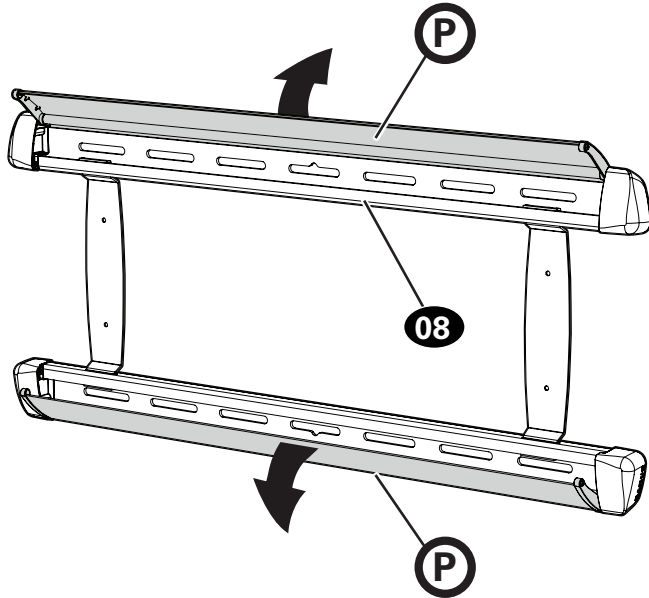
CAUTION:

Be sure you drill into the **CENTER** of the stud.

Drill the four pilot holes using a 7/32 in. (5.5 mm) diameter drill bit.

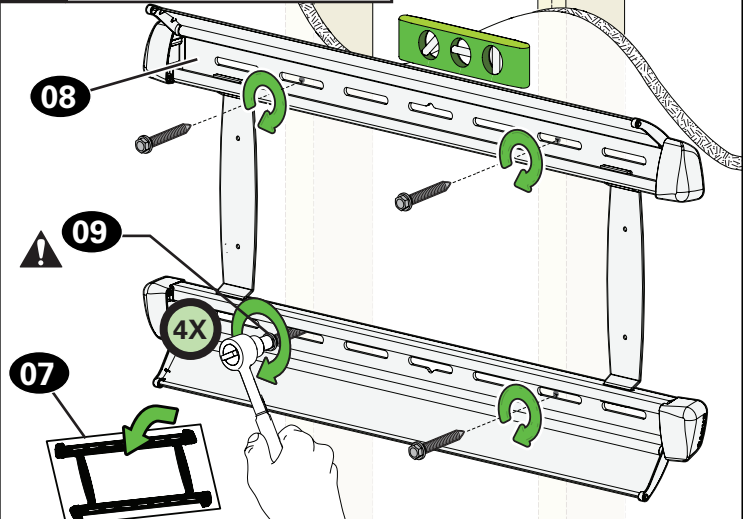
IMPORTANT: Pilot holes must be drilled to a depth of 3 1/2 in. (9 cm). Remove wall plate template **07** and discard.

6 OPEN COVERS



Rotate the covers **P** to expose the mounting holes.

7 SECURELY TIGHTEN



! CAUTION: Avoid potential personal injury or property damage!

All four lag bolts **09** **MUST BE** firmly tightened to prevent unwanted movement of the wall plate **08**. Ensure the wall plate is securely fastened to the wall before continuing on to the next step.

Install wall plate **08** using four lag bolts **09** and firmly tighten until they are pulled flush against the wall plate **08**.

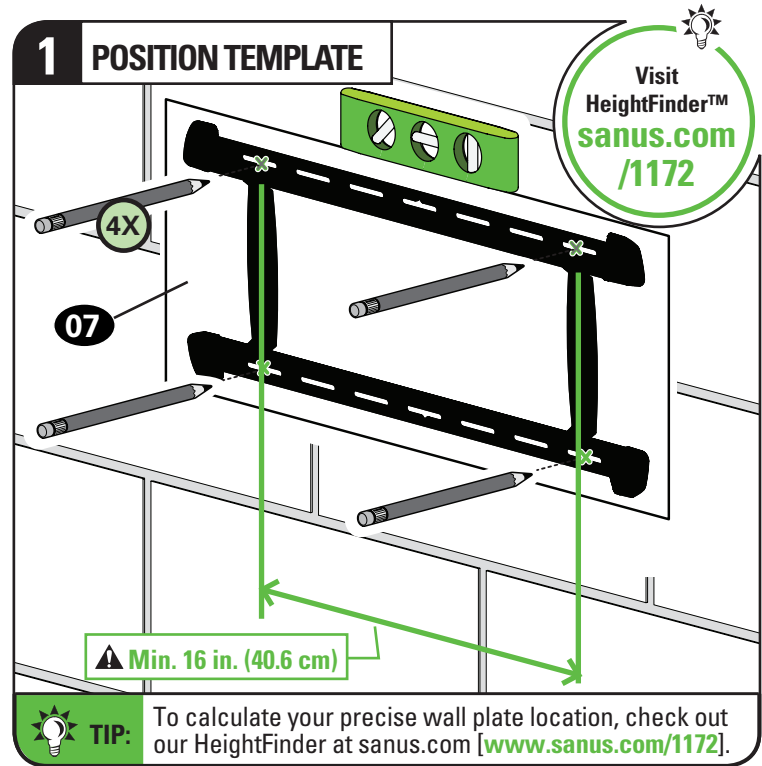
Go to **STEP 3** on **PAGE 19**. 15



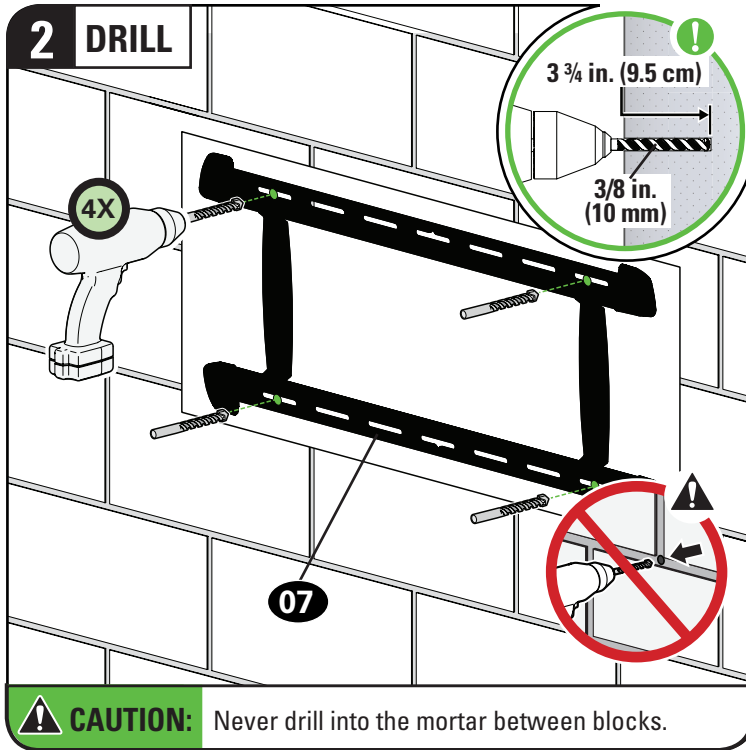
CAUTION: Avoid potential personal injury or property damage!

- Mount the wall plate **08** directly onto the concrete surface
- Minimum **solid concrete** thickness: 8 in. (20.3 cm)
- Minimum **concrete block** size: 8 x 8 x 16 in. (20.3 x 20.3 x 40.6 cm)
- Minimum horizontal space between fasteners: 16 in. (40.6 cm)
- **For concrete applications**, arm **11** (STEP 3) must remain centered (horizontally) in wall plate **08**. Keep this in mind when selecting the wall plate location

1 POSITION TEMPLATE

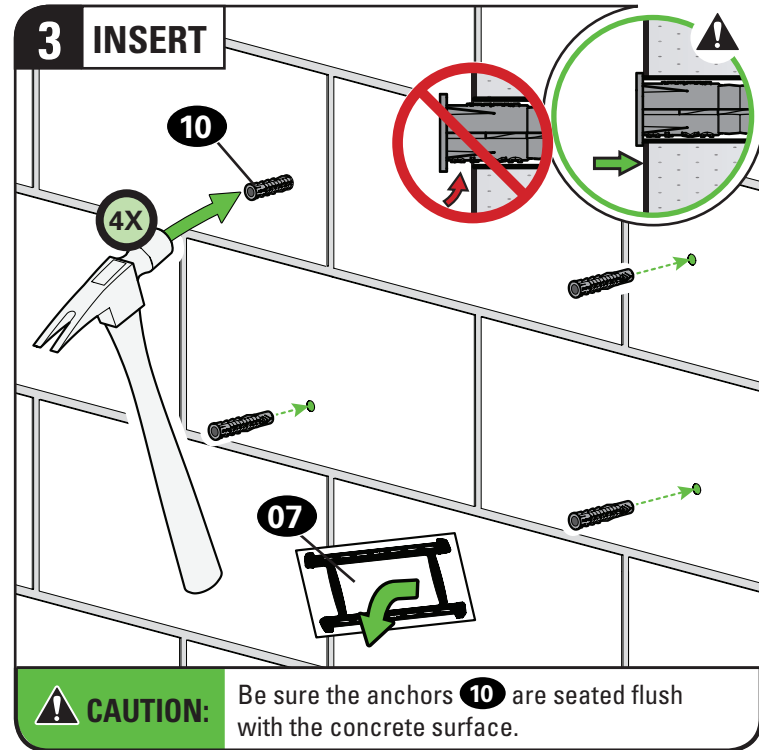


Position wall plate template **07** on the wall at your desired height. Level and mark the hole locations.



Drill four pilot holes using a 3/8 in. (10 mm) diameter drill bit.

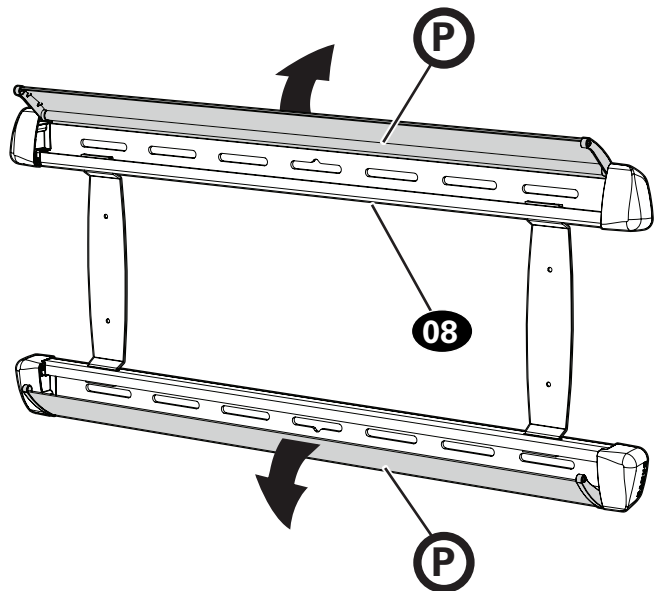
! IMPORTANT: Pilot holes must be drilled to a depth of 3 3/4 in. (9.5 cm).



Remove wall plate template **07** and insert four anchors **10**.

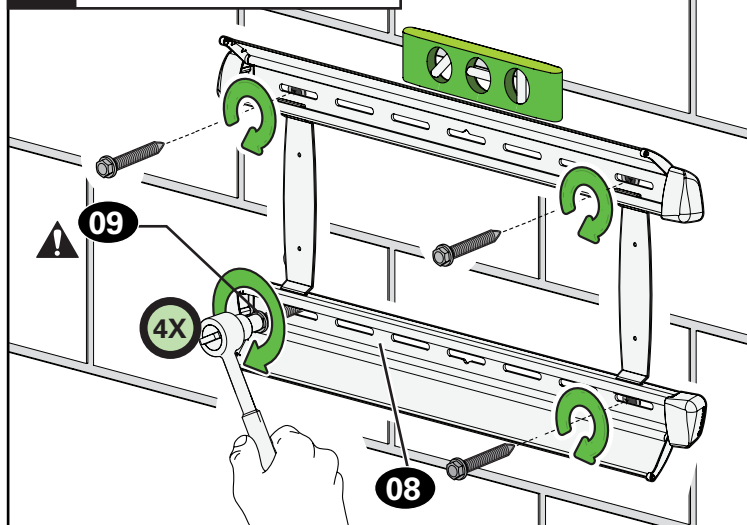
STEP 2B (continued)

4 OPEN COVERS



Rotate the covers **P** to expose the mounting holes.

5 SECURELY TIGHTEN



⚠ CAUTION: Avoid potential personal injury or property damage!

All four lag bolts **09** **MUST BE** firmly tightened to prevent unwanted movement of the wall plate **08**. Ensure the wall plate is securely fastened to the wall before continuing on to the next step.

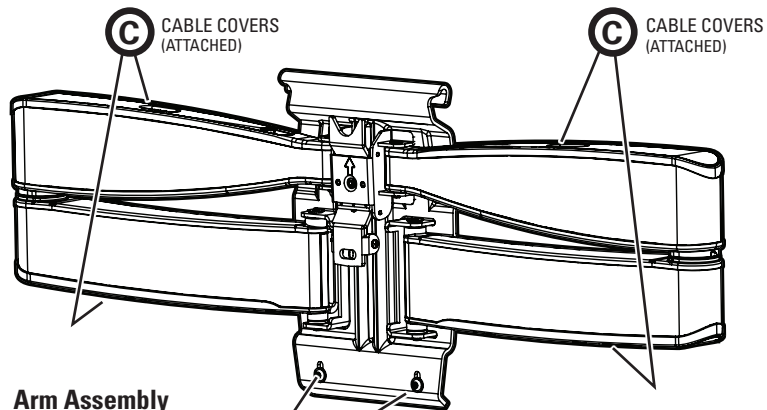
Install the four lag bolts **09**. Firmly tighten all four lag bolts **09** until they are pulled flush against the wall plate **08**.

STEP 3

Attach TV to Wall Plate

⚠ WARNING: Before starting assembly, verify this part is undamaged. If damaged, do not return the damaged item to your dealer; contact Customer Service. Never use damaged parts!

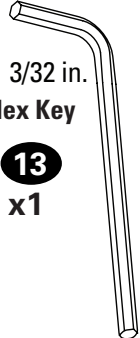
Parts and Hardware for STEP 3

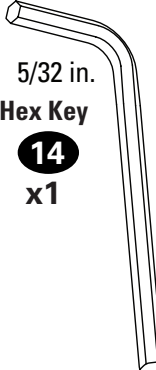


Arm Assembly
11 x1

S LOCKING SCREWS
(ATTACHED)


10-32 x 3/8 in. **12** x1
Securement
Screw


3/32 in.
Hex Key
13
x1

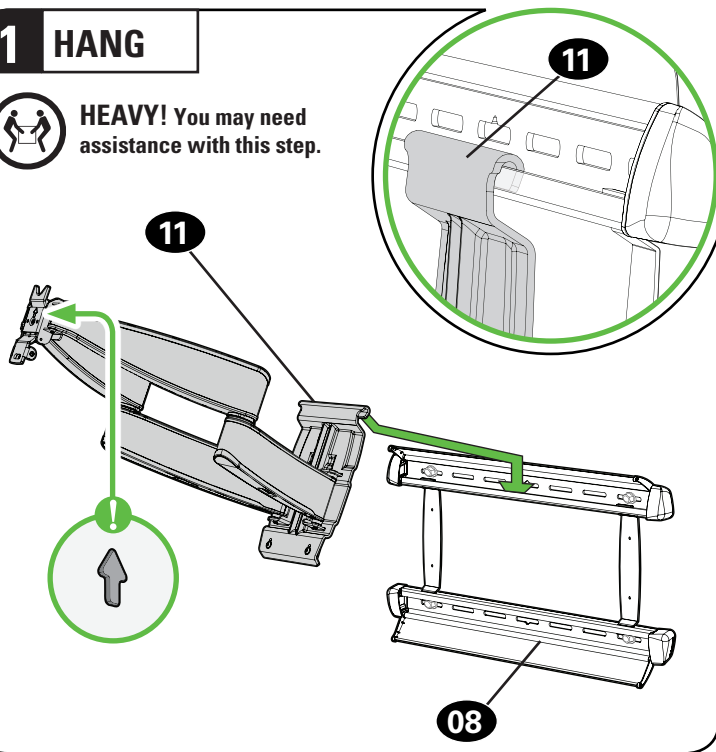

5/32 in.
Hex Key
14
x1

3.1 Attach Arm Assembly to Wall Plate

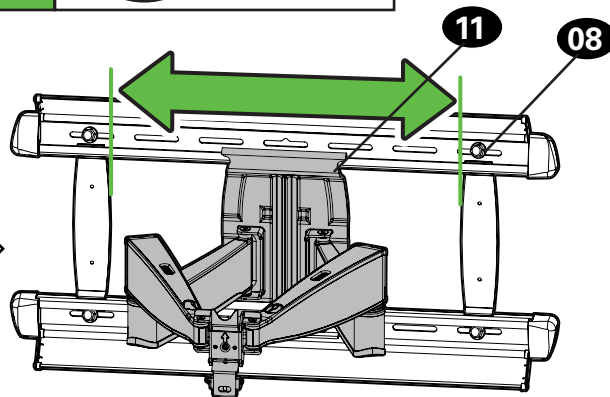
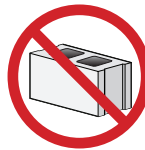
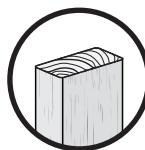
1 HANG



HEAVY! You may need assistance with this step.



Hang the top hook of arm assembly **11**, onto wall plate **08**, Then rest the arm assembly **11** into place.



CAUTION: Avoid potential personal injury or property damage!

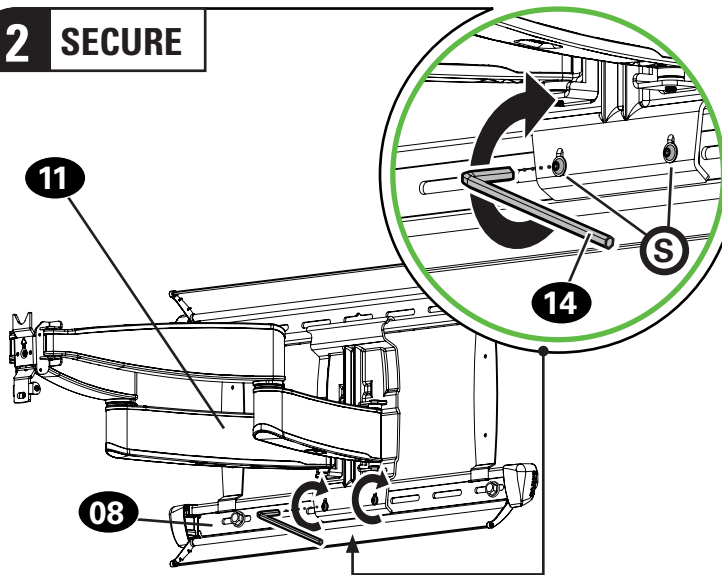
For **CONCRETE APPLICATIONS:**

The arm assembly **11** **MUST** remain centered in wall plate **08**.



NOTE: For **WOOD STUD APPLICATIONS**, the arm assembly **11** can be slid anywhere along wall plate **08** for optimal positioning of your TV.

2 SECURE

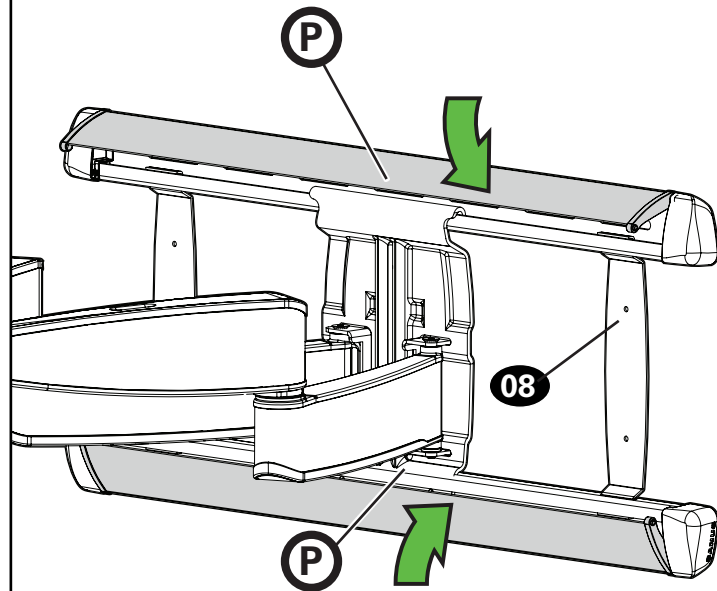


⚠ CAUTION: Avoid potential personal injury or property damage!

Always make sure both locking screws (S) are tightened, so the arm assembly (11) is securely fastened to wall plate (08).

Secure arm assembly (11) onto wall plate (08) using two locking screws (S) in the bottom location shown.

3 CLOSE COVERS



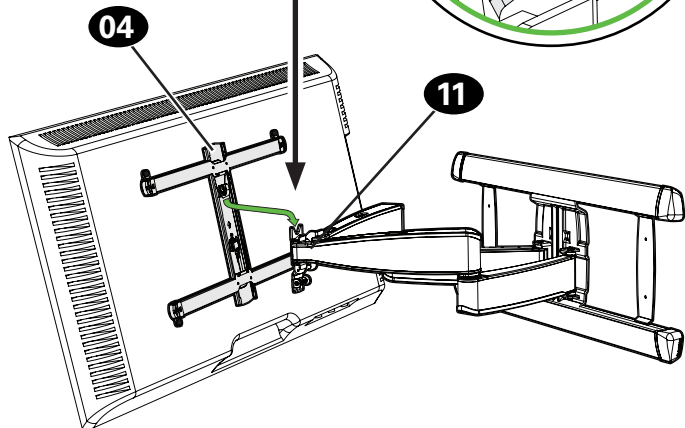
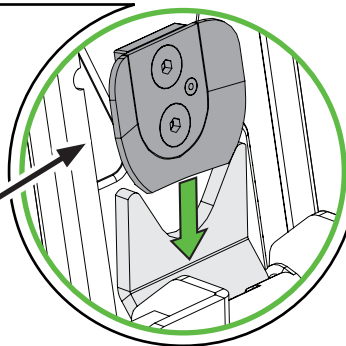
Close the wall plate covers (P).

3.2 Hang TV onto Arm Assembly

1 HANG YOUR TV

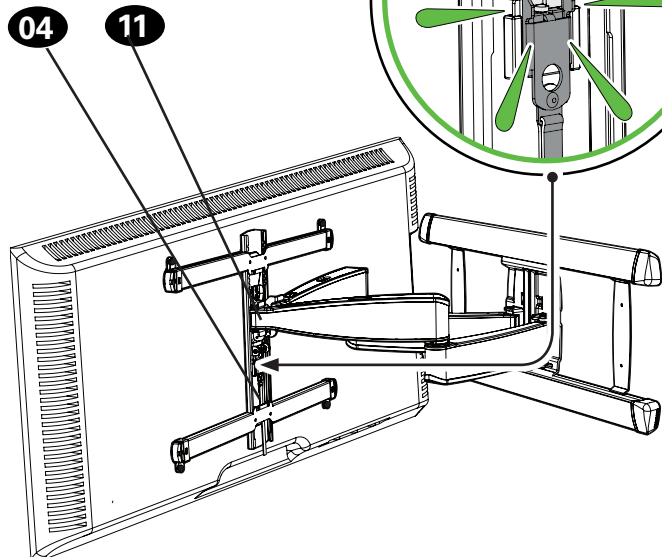
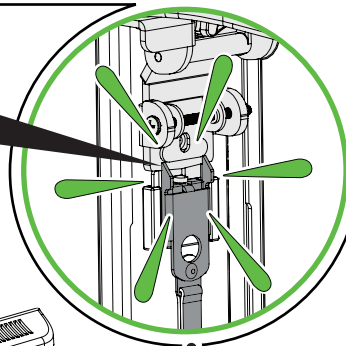


HEAVY! You may need assistance with this step.



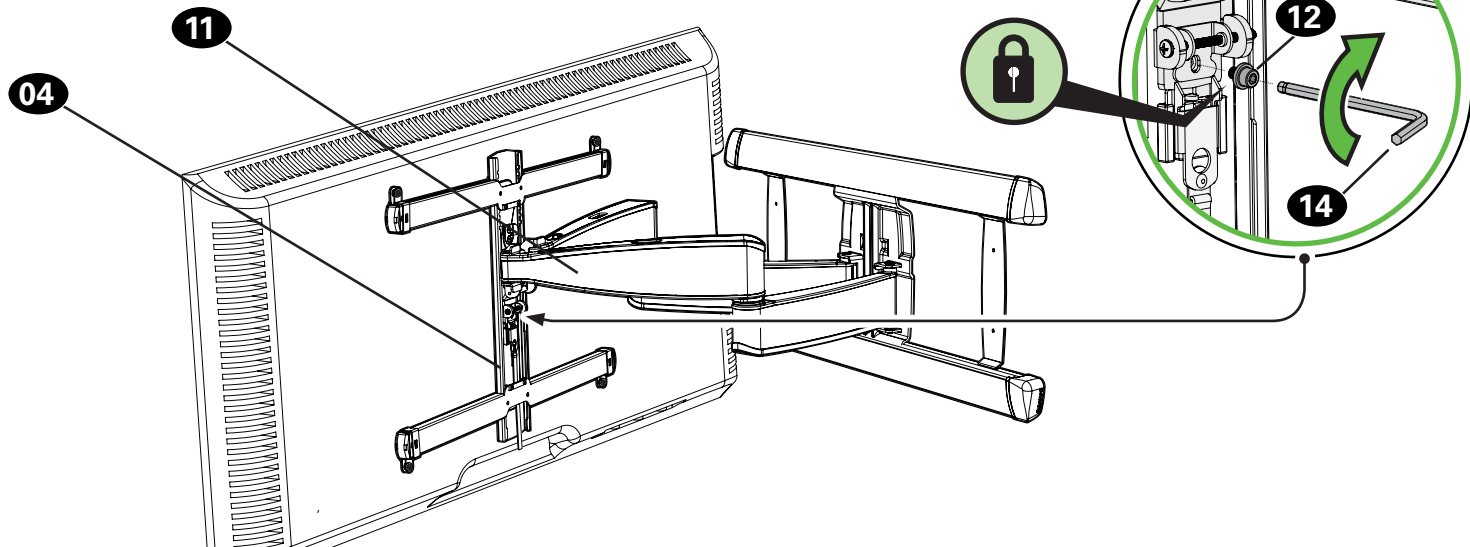
Hang the TV onto the arm assembly **11** by hooking the top support on TV bracket **04** as shown.

2 ATTACH



Press the bottom of the TV into the arm assembly **11** until you hear the lock click, securing the TV in place.

3 SECURELY TIGHTEN



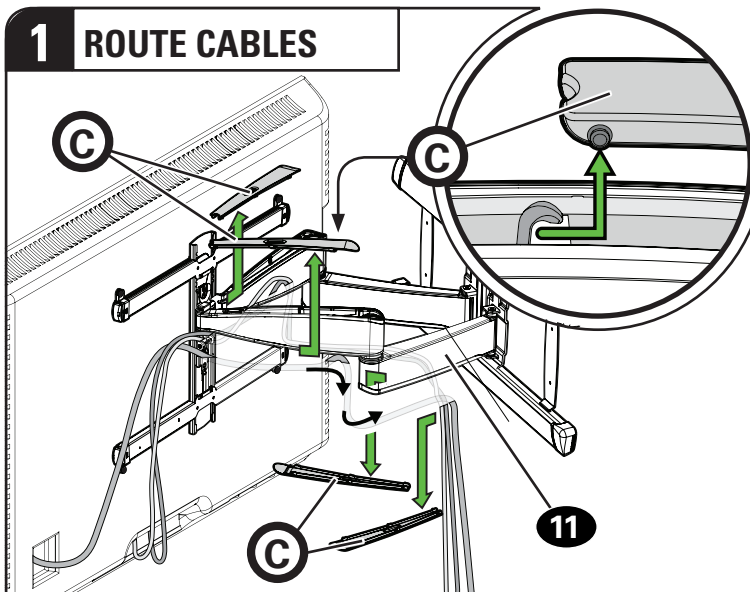
CAUTION: Avoid potential personal injury or property damage!

Always make sure your securement screw **12** is tightened, so the TV is securely fastened to the arm assembly **11**.

To lock the TV onto arm assembly **11**, install the securement screw **12** on the vertical TV bracket **14**.

Manage Cables

1 ROUTE CABLES

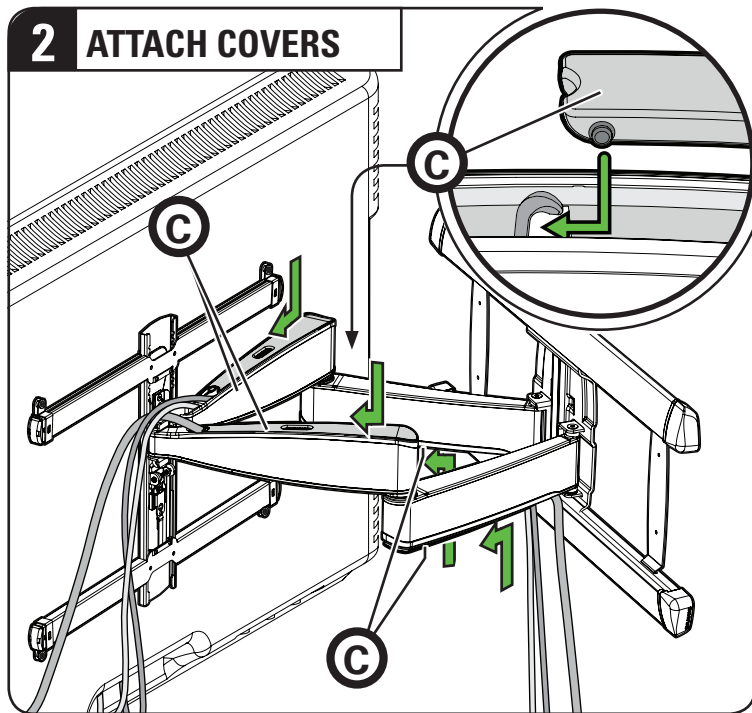


! IMPORTANT:

Pull arm **11** to its full extension, to leave enough slack and prevent stretching the cables when the arms are moved.

Remove the cable covers **C** from the arm **11** by sliding to loosen. Route the cables along the arm.

2 ATTACH COVERS

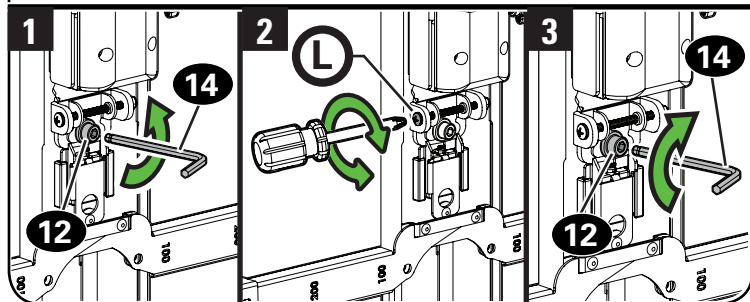
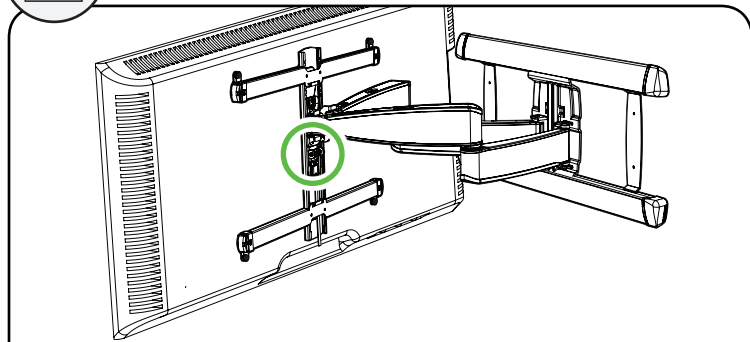


Reattach cable covers **C** to capture the cables.

Adjustments



LEVEL ADJUSTMENT

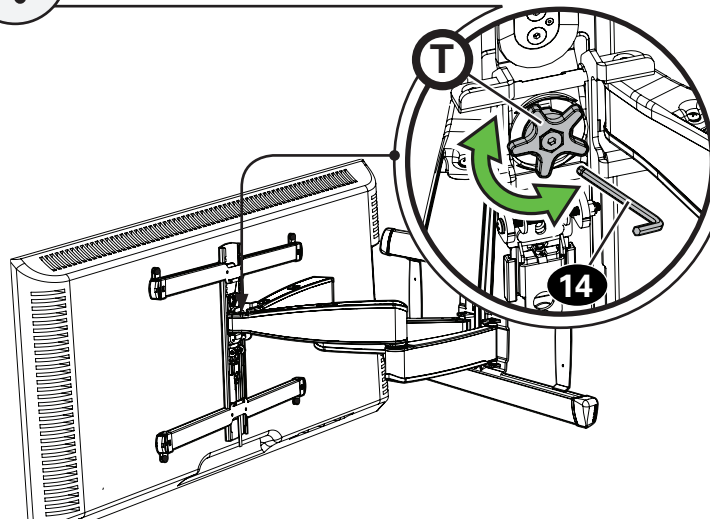


CAUTION: Screw **12** MUST be loosened before STEP 2.

1. Loosen screw **12**.
2. Level your TV with screw **L**.
3. Tighten screw **12**.



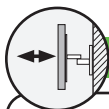
TILT ADJUSTMENT



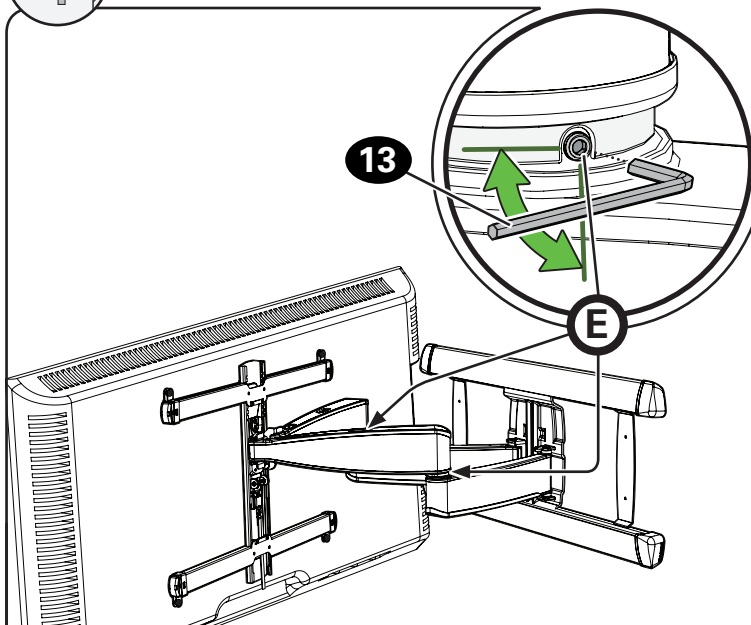
NOTE:

If you do not intend to adjust the tilt for different viewing locations, you can tighten the tilt tension knob **T**, to prevent unwanted movement. If needed, use hex key **14** to tighten more firmly.

Your TV should adjust easily when moved, then stay in place.
Adjust the tilt tension knob **T** if your TV naturally tilts up or down.



EXTEND / RETRACT -- ONLY IF NECESSARY



⚠ CAUTION: Avoid potential personal injury or property damage!
DO NOT remove screws **(E)**, only turn enough for slight adjustment.

ONLY if needed, adjust the extension/retraction arm tension with screw **(E)** using hex key **(13)**.



TV LATERAL SHIFT



HEAVY! You may need assistance with this step.

⚠ CAUTION: Avoid potential injuries or property damage!
Do NOT adjust the arm position from center for concrete applications.

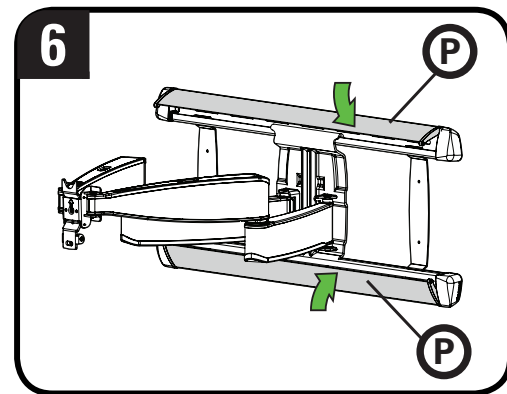
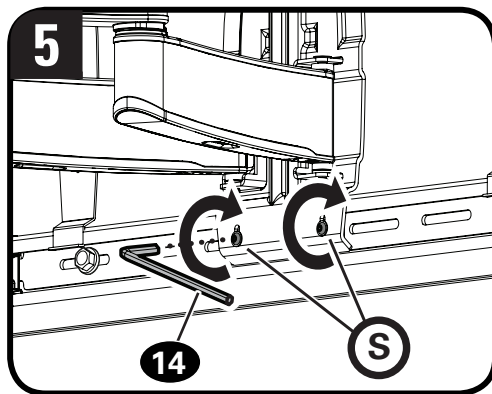
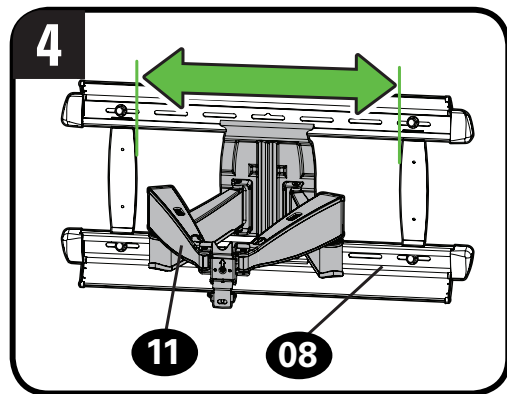
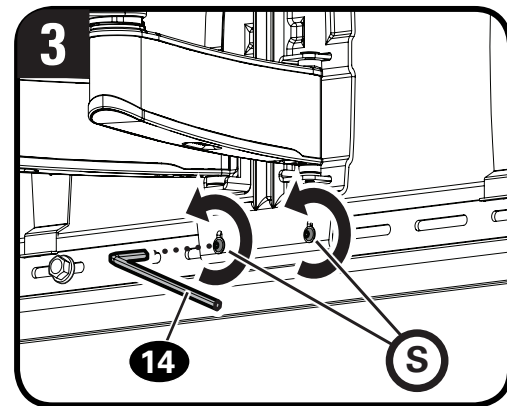
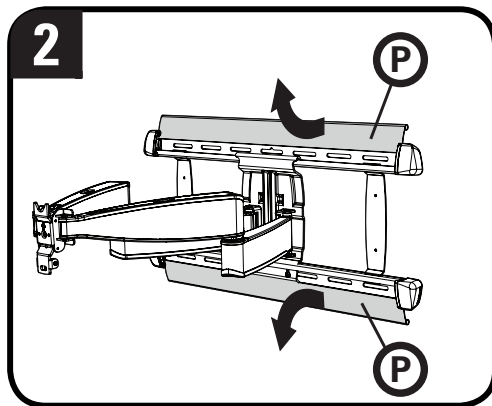
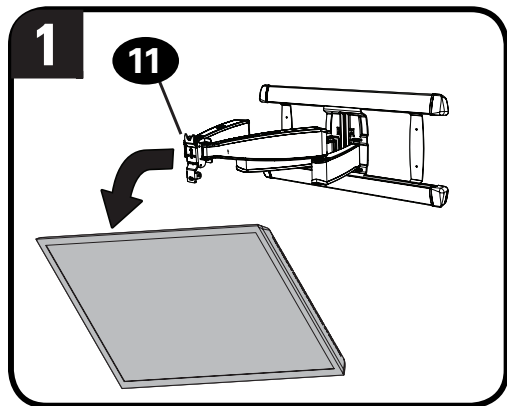
Arm **(11)** MUST remain centered in wall plate **(08)** for all concrete applications!

For wood stud applications ONLY:

1. Remove the TV (See PAGE 28).
2. Open cover strips **(P)**.
3. Loosen but **do not remove**, locking screws **(S)**.
4. Slide arm **(11)** to the desired position.
5. Tighten locking screws **(S)**.

⚠ CAUTION: Avoid potential personal injury or property damage! Always make sure both locking screws **(S)** are tightened so the TV is securely fastened to wall plate **(08)**.

6. Close the cover strips **(P)**, then hang your TV (see STEP 3).



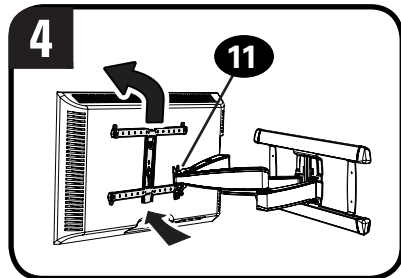
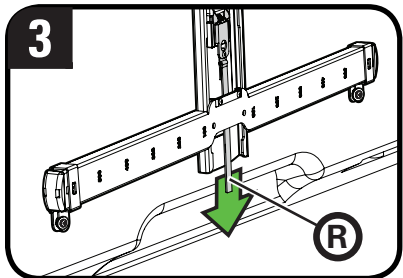
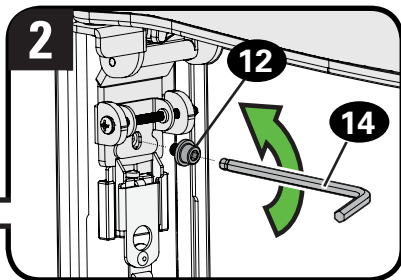
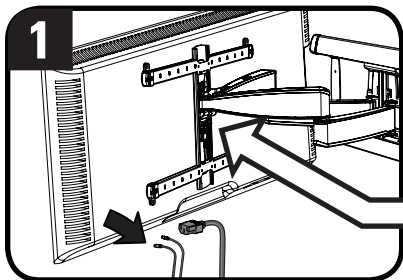


REMOVE THE TV

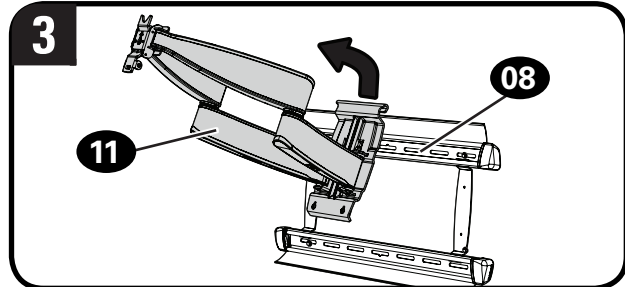
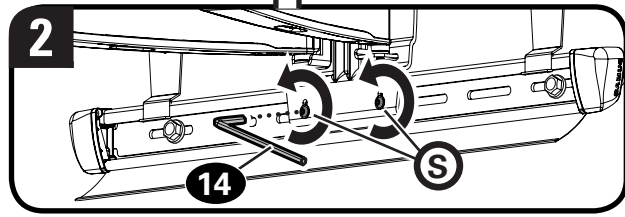
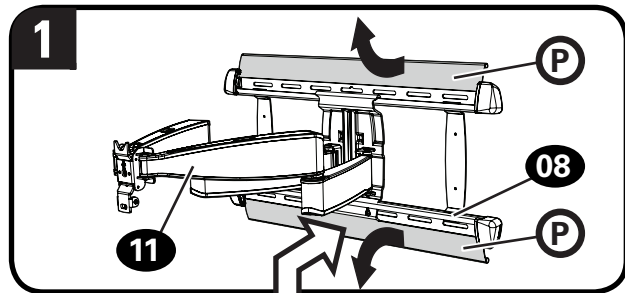


HEAVY! You may need assistance with this step.

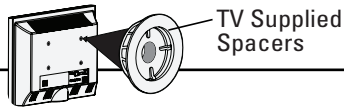
1. Disconnect all cables from the TV.
2. Remove securement screw **12**.
3. Pull down on the release cord **(R)** to release the TV.
4. Carefully lift the TV from arm assembly **11**.



REMOVE THE ARM ASSEMBLY

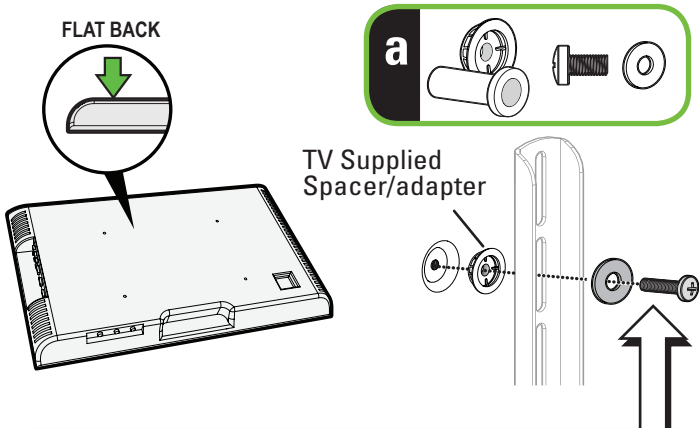


TV supplied spacers



If you are uncertain about your hardware selection, contact Customer Service at 1-800-359-5520

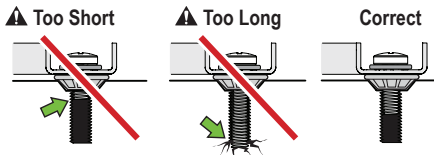
a: Use your TV supplied spacer/adapter for flat back TVs (AND you want your TV closer to the wall).



CAUTION: Avoid potential injury or property damage!

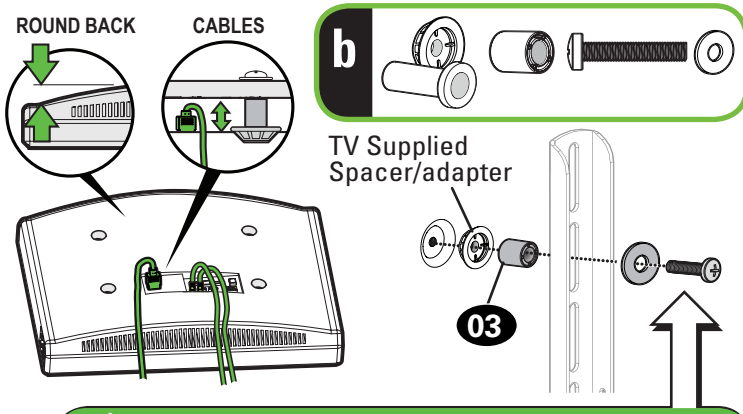
Use the correct screw length for adequate thread engagement.

- Too short will not hold the TV.
- Too long will damage the TV.



b: Use your TV supplied spacer/adapter and spacer **03** for:

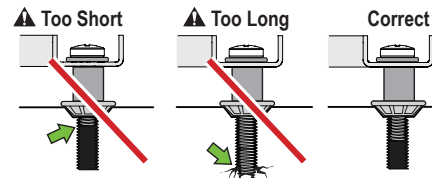
- Round (irregular) back TVs
- Extra space needed for cables



CAUTION: Avoid potential injury or property damage!

Use the correct screw length for adequate thread engagement.

- Too short will not hold the TV.
- Too long will damage the TV.



Lea atentamente estas instrucciones en su totalidad para asegurarse de que está familiarizado con el sencillo proceso de instalación.

Consulte igualmente el manual de su televisor para conocer si existen requisitos especiales para el montaje de su aparato.

Si no entiende las instrucciones o si tiene dudas acerca de la seguridad de la instalación, el montaje o el uso del producto, póngase en contacto con el Servicio de Atención al Cliente o llame a nuestro servicio técnico al número 1-800-359-5520.

⚠ PRECAUCIÓN: Evite posibles lesiones personales y daños materiales.

- Este producto se ha diseñado para su uso en montantes de madera, hormigón macizo y paredes de bloques de hormigón:
NO lo instale en paredes únicamente de yeso
- Este producto está diseñado SOLO PARA USO EN INTERIORES.
- La pared debe ser capaz de soportar hasta cinco veces el peso combinado del televisor y la montura
- No utilice este producto para ningún otro propósito que no sea el explícitamente especificado por el fabricante
- El fabricante no se responsabiliza de ningún daño o lesión resultante del montaje incorrecto o el uso indebido

Peso máximo
(incluidos los accesorios)

NO EXCEDAS



Si su TV (incluidos los accesorios) pesa **MÁS**, esta montura NO es compatible.

Visite sanus.com o llame al número 1-800-359-5520 para encontrar una montura compatible.

La construcción de su pared

SOLAMENTE instalar en estos tipos aceptables de la pared.

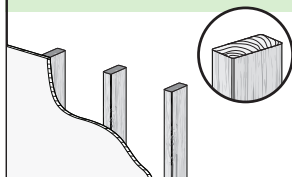
⚠ PRECAUCIÓN:

NO instalar en panel de yeso solo



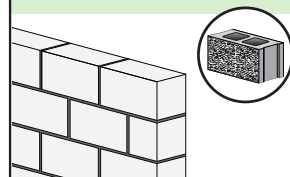
Instalación en paneles de yeso solo **NO** soportará el peso de su TV.

Montantes de **madera**



ACEPTABLE

Hormigón macizo o bloque de hormigón



ACEPTABLE

? ¿No está seguro?

Llame al Servicio de Atención al Cliente

herramientas necesarias



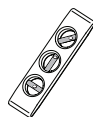
Cinta métrica



Lápiz



Cinta Adhesiva



Nivel



Destornillador



Taladro eléctrico



Llave de tubo de 13 mm (1/2 pulg.)

Instalación en montantes de madera



Localizador de montantes



Punzón



Broca para madera de 5,5 mm (7/32 pulg.)



Instalación en hormigón



Broca para hormigón de 10 mm (3/8 pulg.)



Martillo

¡ESTAMOS AQUÍ PARA AYUDARLE!

¿Desea ver un video para comprobar lo fácil que es hacerlo usted mismo?

▶ Visualícelo ahora en: SANUS.com/2524

Acierte a la primera. HeightFinder™ le indica el lugar donde debe taladrar.

▶ Descúbralo en: SANUS.com/1172

Nuestros expertos en instalación de EE. UU. están listos para ayudar.

📞 Llámenos al: **800-359-5520**

💬 O contacte con nosotros por chat en: SANUS.com/chatSP

Antes de comenzar

Retire el soporte de su televisor... ¡si ya lo tenía instalado claro!

Instale todos los accesorios que quiera añadir a su televisor.

Compruebe en los manuales de los accesorios si es necesario instalarlos ANTES de montar el televisor.

Proteja la pantalla del televisor cuando lo ponga boca abajo para la instalación.

PASO 1

Fijar el soporte al televisor

PÁGINA 6

⚠ ADVERTENCIA: Este producto contiene piezas pequeñas que, en caso de ser tragadas, podrían producir asfixia. Antes de iniciar el ensamblaje, compruebe que todas las piezas estén incluidas y en buenas condiciones. Si faltan piezas o alguna está dañada, no devuelva el artículo al distribuidor. Póngase en contacto con el servicio de atención al cliente. Nunca utilice piezas deterioradas.

📄 NOTA: No todos los elementos de sujeción incluidos deberán utilizarse.

1.1 Seleccione el diámetro de los tornillos para el televisor

PÁGINA 7

Solo un tamaño de tornillo es compatible con su TV.

1.2 Seleccione la longitud de los tornillos y los espaciadores de su TV

PÁGINA 7

A SIN ESPACIADOR

- **TV con parte posterior plana** [los soportes del televisor se apoyan planos sobre su TV]

Utilice tornillos de televisor **01** cortos. No es necesario usar **03** espaciadores.

B ESPACIADOR NECESARIO

- **TV con parte posterior plana que necesita espacio extra** [para agujeros profundos o interferencia de cables]
- **TV con parte posterior redondeada o irregular** [los soportes de televisor NO se apoyan completamente planos en su TV]

Use tornillos de televisor **01** largos y espaciadores **03** para crear espacio extra entre el televisor y el soporte del televisor.

1.3 Fijar los soportes al televisor

PÁGINA 8

1 MEDIR

Medir la ANCHURA y la ALTURA del patrón de orificios de montaje de su televisor.

2 AJUSTAR A LA ANCHURA W

Ajustar las lengüetas de montaje **M** sobre los soportes del televisor **06** para que coincidan con la anchura W del patrón de orificios de montaje de su televisor.

3a MONTAR PARA LA ALTURA H **Para una altura de 300 mm o menos**

Para un patrón de orificios con una altura H de 300 mm y menos, alinee los soportes horizontales del televisor **06** con las lengüetas de montaje **M** hacia el interior.

3b MONTAR PARA LA ALTURA H **Para una altura superior a 300 mm**

Para un patrón de orificios con una altura H de más de 300 mm, alinee los soportes horizontales del televisor **06** con las lengüetas de montaje **M** hacia el exterior.

4 MONTAR SIN APRETAR

Ajuste los soportes de televisor **06** para alinearlos con el patrón de orificios de su televisor. Instale utilizando la combinación de tornillo **01**/arandela **02**/espaciador **03** que seleccionó para su televisor.

5 CENTRAR

El soporte de televisor **04** debe estar centrado sobre su televisor.

6 FIJAR EL MONTAJE

Fije los soportes de televisor con los cuatro tornillos de interconexión **05**, empezando con los dos tornillos superiores en las muescas que se muestran.

7 APRETAR TODOS LOS TORNILLOS

32 Apriete con firmeza los tornillos del PASO 4 y el PASO 6.

PASO 2

Fijar la placa mural a la pared

PÁGINA 12

⚠ ADVERTENCIA: Este producto contiene piezas pequeñas que, en caso de ser tragadas, podrían producir asfixia. Antes de iniciar el ensamblaje, compruebe que todas las piezas estén incluidas y en buenas condiciones. Si faltan piezas o alguna está dañada, no devuelva el artículo al distribuidor. Póngase en contacto con el servicio de atención al cliente. Nunca utilice piezas deterioradas.

📄 NOTA: No todos los elementos de sujeción incluidos deberán utilizarse.



PASO 2A Fijar la placa mural

para montantes de madera

VER PÁGINA 13

⚠ PRECAUCIÓN: Evite lesiones personales y daños materiales.

- El yeso que recubre la pared no debe exceder los 16 mm (5/8")
- Tamaño mínimo del montante de madera: común 51 mm x 102 mm (2" x 4") nominal 38 mm x 89 mm (1 1/2" x 3 1/2")
- Espacio horizontal mínimo entre los elementos de sujeción: 406 mm (16")
- Debe comprobar los montantes centrales

1 LOCALIZAR

Localice los montantes usando un localizador de montantes.

2 VERIFICAR

Encuentre los bordes de los montantes usando un punzón o una pequeña broca.

3 MARCAR

Marque los centros de los montantes con un lápiz.

4 COLOCAR LA PLANTILLA DE LA PLACA MURAL

💡 CONSEJO: Para calcular la ubicación concreta de la placa mural, pruebe nuestra herramienta Height Finder disponible en sanus.com [www.sanus.us/1172].

Coloque la plantilla de la placa mural **07** a la altura que desee y ubique los orificios muescados sobre las líneas centrales del montante. Nivele y marque la ubicación de los orificios.

5 TALADRAR LOS ORIFICIOS

Taladre cuatro orificios guía con una broca de 5,5 mm (7/32 pulg.) de diámetro.

📌 IMPORTANTE: Los orificios guía deben taladrarse hasta una profundidad de 9 cm (3 1/2 pulg.).

6 ABRIR LAS CUBIERTAS

Gire las cubiertas **P** para dejar expuestos los orificios de montaje.

7 APRETAR CON FIRMEZA

⚠ PRECAUCIÓN: Evite posibles lesiones físicas y daños materiales. Los cuatro tornillos **09** DEBEN ESTAR ajustados con firmeza para evitar el movimiento no deseado de la placa mural **08**. Asegúrese de que la placa de pared esté bien fijada a la pared antes de continuar con el paso siguiente.

Instale los cuatro tornillos **09** y ajústelos con firmeza hasta que estén a ras contra la placa mural **08**.

PASO 2B Fijar la placa mural



para hormigón sólido o bloques de cemento

VER PÁGINA 16

⚠ PRECAUCIÓN: Evite lesiones personales y daños materiales.

- Instale la placa mural **08** directamente sobre la superficie de hormigón
- Espesor mínimo del hormigón: 203 mm (8")
- Tamaño mínimo del bloque de cemento: 203 x 203 x 406 mm (8" x 8" x 16")
- Espacio horizontal mínimo entre los elementos de sujeción: RIELES SUPERIOR= 102 mm (4"), RIELES INFERIOR= 406 mm (16")
- Para aplicaciones sobre hormigón, el brazo **11** (PASO 3) debe permanecer centrado en la placa de pared **08**. Téngalo en cuenta a la hora de seleccionar la ubicación de la placa de pared

1 COLOCAR LA PLANTILLA DE LA PLACA MURAL

💡 CONSEJO: Para calcular la ubicación concreta de la placa mural, pruebe nuestra herramienta Height Finder disponible en sanus.com [www.sanus.us/1172].

Coloque la plantilla de la placa mural **07** en la pared a la altura que desee. Nivele y marque la ubicación de los orificios.

2 TALADRAR LOS ORIFICIOS

⚠ PRECAUCIÓN: Nunca perforo el cemento que une los bloques.

Taladre cuatro orificios guía con una broca de 10 mm (3/8 pulg.) de diámetro. **❗ IMPORTANTE:** Los orificios guía deben taladrarse hasta una profundidad de 9,5 cm (3 ¾ pulg.).

3 INSERTAR LOS ANCLAJES

⚠ PRECAUCIÓN: Asegúrese de que los anclajes **10** queden nivelados respecto de la superficie de hormigón.

Retire la plantilla de la placa mural **07** e introduzca cuatro anclajes **10**.

4 ABRIR LAS CUBIERTAS

Gire las cubiertas **P** para dejar expuestos los orificios de montaje.

5 APRETAR CON FIRMEZA

⚠ PRECAUCIÓN: Evite posibles lesiones físicas y daños materiales. Los cuatro tornillos **09** DEBEN ESTAR ajustados con firmeza para evitar el movimiento no deseado de la placa mural **08**. Asegúrese de que la placa de pared esté bien fijada a la pared antes de continuar con el paso siguiente.

Instale los cuatro pernos tirafondo **09**. Apriételos con firmeza hasta que queden nivelados respecto a la placa mural **08**.

PASO 3

Fijar el televisor en la placa mural

PÁGINA 19

⚠ ADVERTENCIA: Antes de empezar el montaje, compruebe que esta parte no esté dañada. Si lo está, no la devuelva al distribuidor. Póngase en contacto con el servicio de atención al cliente. Nunca utilice piezas deterioradas.


3.1 Fije el conjunto del brazo a la placa mural

PÁGINA 20

1 COLGAR  ¡ELEMENTO PESADO! Es posible que necesite ayuda en este paso.

Cuelgue el gancho superior del conjunto del brazo **11** en la placa mural **08** y, a continuación, deje caer el conjunto del brazo **11** en su posición.

⚠ PRECAUCIÓN: Evite posibles lesiones físicas y daños materiales. Para **APLICACIONES EN HORMIGÓN:** del brazo **11** DEBEN estar centrados en la placa mural **08**.

 **NOTA:** Para **APLICACIONES SOBRE MONTANTES DE MADERA**, del brazo **11** se pueden deslizar a cualquier parte de la placa **08** para conseguir colocar su televisor en una posición óptima.

2 ASEGURAR

⚠ PRECAUCIÓN: Evite posibles lesiones físicas y daños materiales. Asegúrese siempre de que los dos tornillos de bloqueo **S** estén bien apretados, para que el conjunto del brazo **11** quede fijado de forma segura a la placa mural **08**.

Asegure el conjunto del brazo **11** en la placa mural **08** utilizando dos tornillos de bloqueo **S** en la parte inferior que se muestra en la imagen.

3 CERRAR LAS CUBIERTAS

Cierre las cubiertas de la placa de pared **P**.

3.2 Cuelgue el televisor en el conjunto de brazo

PÁGINA 22

1 COLGAR  ¡ELEMENTO PESADO! Es posible que necesite ayuda en este paso.

Cuelgue el televisor en el conjunto del brazo **11** enganchando el apoyo superior en el soporte del televisor **04** como se muestra.

2 FIJAR

Inserte la parte inferior del televisor en el conjunto del brazo **11** hasta que oiga un "clic" de bloqueo, que asegurará el televisor en su posición.

3 APRETAR CON FIRMEZA

⚠ PRECAUCIÓN: Evite posibles lesiones físicas y daños materiales. Asegúrese siempre de que el tornillo de seguridad **12** esté bien apretado, para que el televisor quede fijado de forma segura al conjunto del brazo **11**.

Para fijar el televisor al conjunto del brazo **11**, apriete el tornillo de seguridad **12** en el soporte vertical del televisor **04**.

Organizar los cables

PÁGINA 24

1 PASE LOS CABLES

! **IMPORTANTE:** xtienda el brazo **11** por completo antes de pasar los cables.

Retire la cubierta de los cables **C**. Pase los cables por el brazo **11**.

2 VUELVA A COLOCAR LA CUBIERTA

Vuelva a colocar la cubierta de los cables **C** por sobre los cables.

Ajustes

PÁGINA 25

AJUSTE DEL NIVEL

PÁGINA 25

1. Afloje el tornillo **12**. 2. Ajuste el nivel de su televisor girando el tornillo **L** de ajuste de nivel. 3. Apriete el tornillo **12**.

AJUSTE DE LA INCLINACIÓN

PÁGINA 25

El televisor debe acomodarse fácilmente al moverlo, y luego quedar en su lugar. Si el televisor está demasiado suelto o demasiado ajustado, ajuste la perilla de tensión lateral **T** manualmente o con la llave hexagonal **14**. **NOTA:** Una vez que el televisor esté en su lugar, ajuste las perillas de tensión **T** para evitar un movimiento indeseado.

EXTENDER / RETRAER

PÁGINA 26




El televisor debe acomodarse fácilmente al moverlo, y luego quedar en su lugar. Si el televisor está demasiado suelto o demasiado ajustado, ajuste el tornillo **E** con la ayuda de la llave hexagonal **13**.




! **PRECAUCIÓN:** Evite posibles lesiones personales o daños materiales. NO quite el tornillo **E**, solo girar suficiente para un ligero ajuste.

DESPLAZAMIENTO LATERAL DEL TELEVISOR

PÁGINA 26

 ¡ELEMENTO PESADO! Es posible que necesite ayuda en este paso.



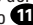
 **PRECAUCIÓN:** Evite posibles lesiones personales o daños materiales. NO ajuste la posición del brazo desde el centro cuando esté colocado sobre hormigón. El brazo  DEBE permanecer centrado en la placa mural cuando  se coloque sobre hormigón.

SOLO para aplicaciones en montantes de madera: 1. Retire el televisor (Ver PÁGINA 28) 2. Retire las tiras de recubrimiento . 3. Afloje, pero no retire por completo, los tornillos de bloqueo . 4. Deslice el brazo  a la posición deseada. 5. Apriete los tornillos de bloqueo .  **PRECAUCIÓN:** Evite posibles lesiones físicas y daños materiales. Asegúrese siempre de que los dos tornillos de bloqueo  estén bien apretados para que el televisor quede fijado de forma segura a la placa mural . 6. Vuelva a colocar las tiras de recubrimiento  y el televisor (ver PASO 3).

RETIRAR EL TELEVISOR

PÁGINA 28

 ¡ELEMENTO PESADO! Es posible que necesite ayuda en este paso.

1. Desconecte todos los cables del televisor. 2. Retirar el tornillo de seguridad . 3. Tire hacia abajo del anillo de liberación  para extraer el televisor. 4. Levante con cuidado el televisor para separarlo del conjunto de brazo .

RETIRE EL CONJUNTO DEL BRAZO

PÁGINA 28


 Solución de problemas

PÁGINA 29

a: Use el separador proporcionado para televisores con partes traseras planas (o bien si quiere que su televisor esté más cerca de la pared).

b: Use el separador proporcionado con el televisor y el separador  para: televisores con la parte trasera redondeada (irregular) o si necesita espacio adicional para los cables.

Si tiene dudas sobre la selección de las piezas, contacte con el servicio de atención al cliente en el 1-800-359-5520.

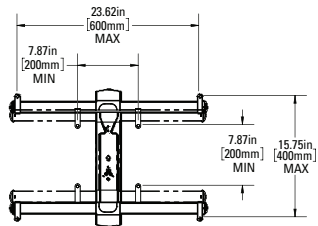
 **PRECAUCIÓN:** Evite posibles lesiones personales y daños materiales. Use la longitud correcta de tornillos para un enrosque adecuado. Si el tornillo es demasiado corto, no sostendrá el televisor. Si es demasiado largo, el televisor se dañará.

Dimensiones

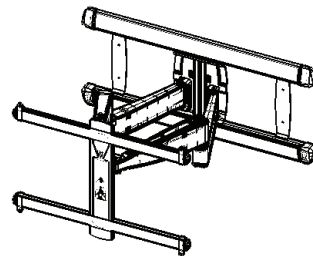
PÁGINA 38

Dimensions

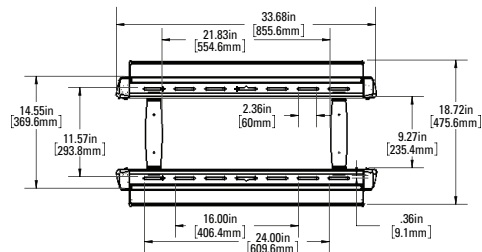
TV INTERFACE



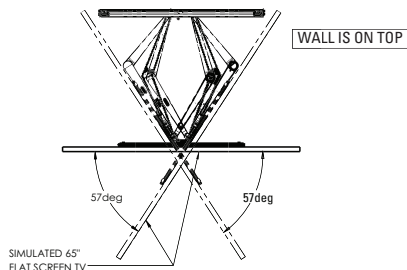
3-D



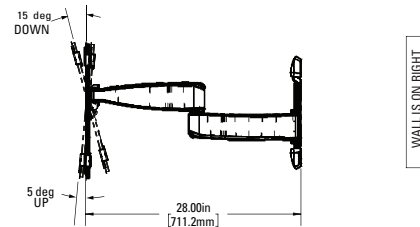
WALL PLATE



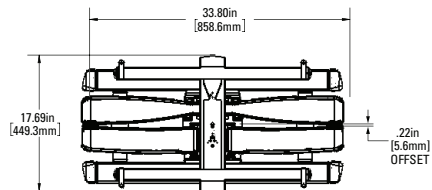
TOP VIEW - EXTENDED



SIDE VIEW - EXTENDED



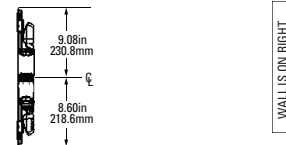
FULLY ASSEMBLED MOUNT



TOP VIEW - RETRACTED



SIDE VIEW RETRACTED



ONE MORE THING: BE A WINNER!

SANUS STORE LOCATOR | Welcome Andy | My Profile | Logout | View Cart

PRODUCTS | BRANDS | LEARN | TOOLS | MEDIA | SUPPORT | CONTACT

Product, TV Model, and Store Locator Search

Product Registration

Home > Product Registration > Product Information

Step 2 - Product Information

We're glad you chose to register your SANUS product!

We're so happy, in fact, that – just for registering your product – you may enter for a chance to win a **\$50 coupon** code to spend towards future purchases on www.sanus.com.¹

SANUS has hundreds of products. Which one did you choose? We just need a little info from you.

Model number
VLF220-B1

Lot number

Need help finding your lot number? [?](#)

Yes, enter me in the sweepstakes

By selecting this box, you are verifying that you are a legal resident of the fifty (50) United States and are at least twenty-one (21) years of age on the date of the Sweepstakes entry submission.²

Register

¹ NO PURCHASE IS NECESSARY TO ENTER OR WIN. A PURCHASE WILL NOT IMPROVE YOUR ODDS OF WINNING. By participating in the sweepstakes, you agree to and accept the official rules. For a copy of the official rules, please [CLICK HERE](#).

² The potential winner is subject to verification, including verification of age.

Product Registration

Progress: [Green bar]

Step 1 - Account Creation

Step 2 - Product Information

Step 3 - Registration Complete

TALK TO US
1-800-359-5320
Monday - Friday 8am - 9pm CST
Saturday - Sunday 10:30am - 7pm CST

WARRANTY information

Americas Office
6436 City West Parkway
Coon Prairie, MN 55344, USA
Toll Free: +1 800 359-5320
Phone: +1 651 484 7983
Fax: +1 651 636 0361
Email: info@sanus.com
Customer Service Hours:
Monday - Friday 8am - 9pm CST
Saturday - Sunday 10:30am - 7pm CST

Register your new mount and tell us how you like it for a chance to win in our monthly sweepstakes.

Entering is quick and easy. Visit SANUS.com/1234 and follow three simple steps for your chance to win.

"Monthly Prize" sweepstakes rules and restrictions apply. Visit SANUS.com/1234 for details.

Milestone AV Technologies and its affiliated corporations and subsidiaries (collectively, "Milestone"), intend to make this manual accurate and complete. However, Milestone makes no claim that the information contained herein covers all details, conditions, or variations. Nor does it provide for every possible contingency in connection with the installation or use of this product. The information contained in this document is subject to change without notice or obligation of any kind. Milestone makes no representation of warranty, expressed or implied, regarding the information contained herein. Milestone assumes no responsibility for accuracy, completeness or sufficiency of the information contained in this document.

IT'S TIME TO SHOW OFF



When you share your handiwork
with your friends, tag

#sanusspaces

for a chance to be featured in the
Inspiration Gallery on SANUS.com.



SANUS.com
WE MAKE IT EASY



SanusSystems
CHAT WITH US



pinterest.com/Sanus
BE INSPIRED



SanusSystems
WATCH AND LEARN

800-359-5520 • info@sanus.com • SANUS.com

SANUS • 6436 City West Parkway • Eden Prairie, MN 55344 USA

©2019 Milestone AV Technologies. All rights reserved. SANUS is a division of Milestone.

All other brand names or marks are used for identification purposes and are trademarks of their respective owners.

6901-602345 00