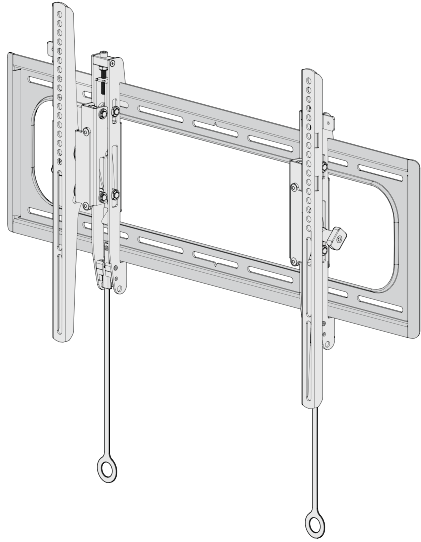


SANUS[®]



BLT2
INSTRUCTION MANUAL

**GET IT
RIGHT
THE FIRST TIME**

**Follow this step-by-step
instruction manual to
speed up your installation.**

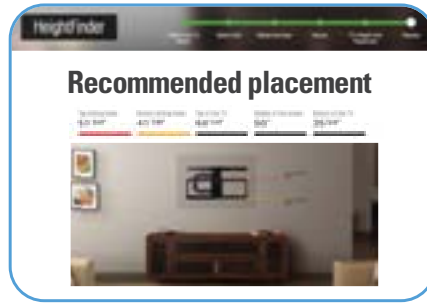
WE'RE HERE TO HELP



Want to watch a video that shows how easy this DIY project will be?



Watch it now at:
[SANUS.com/2513](https://www.sanus.com/2513)



Get it right the first time. HeightFinder™ shows you where to drill.



Check it out at:
[SANUS.com/1172](https://www.sanus.com/1172)



Our US-based install experts are standing by to help.



Call us at:
800-359-5520




Or, chat at:
[SANUS.com/chatSP](https://www.sanus.com/chatSP)

IMPORTANT SAFETY INSTRUCTIONS – SAVE THESE INSTRUCTIONS – PLEASE READ ENTIRE MANUAL PRIOR TO USE

Before getting started, let's make sure this mount is perfect for you!

Para Español ver página 26

1 Does your TV (including accessories) weigh *more* than 

150 lbs.
(68.0 kg)

For **wood stud** and **Solid Concrete** or **Concrete Block Walls**

110 lbs.
(49.8 kg)

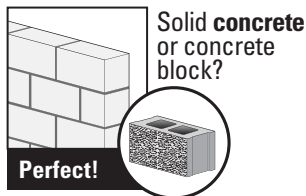
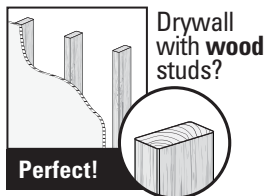
For **Steel Stud Walls**

No — Perfect!

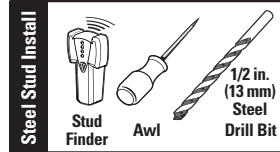
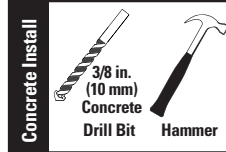
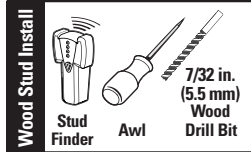
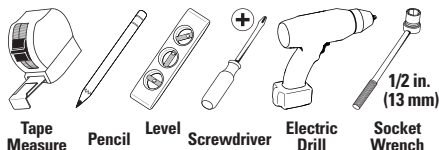
Yes — This mount is NOT compatible. Visit MountFinder.Sanus.com or call 1-800-359-5520 (UK: 0800-056-2853) to find a compatible mount.

2 What is your wall made of?

CAUTION:
DO NOT install into drywall alone



3 Do you have all the tools needed?



4 Ready to begin?

Please read through these instructions completely to be sure you're comfortable with this easy install process. Also check your TV owner's manual to see if there are any special requirements for mounting your TV.

If you do not understand these instructions or have doubts about the safety of the installation, assembly or use of this product, contact Customer Service at 1-800-359-5520 (UK: 0800-056-2853).

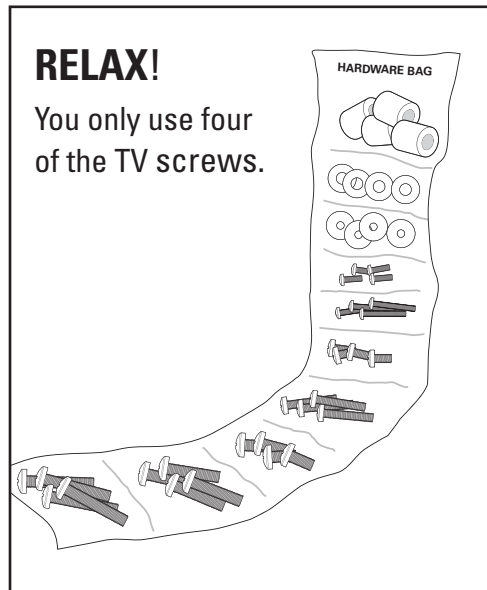
CAUTION: Avoid potential personal injuries and property damage!

- This product includes directions and hardware for use with wood stud, solid concrete and concrete block walls – DO NOT install into drywall alone. For information on how to use this product with steel stud walls contact Customer Service and ask about the steel stud mounting kit.
- The wall must be capable of supporting five times the weight of the TV and mount combined.
- Do not use this product for any purpose not explicitly specified by manufacturer.
- Manufacturer is not responsible for damage or injury caused by incorrect assembly or use.

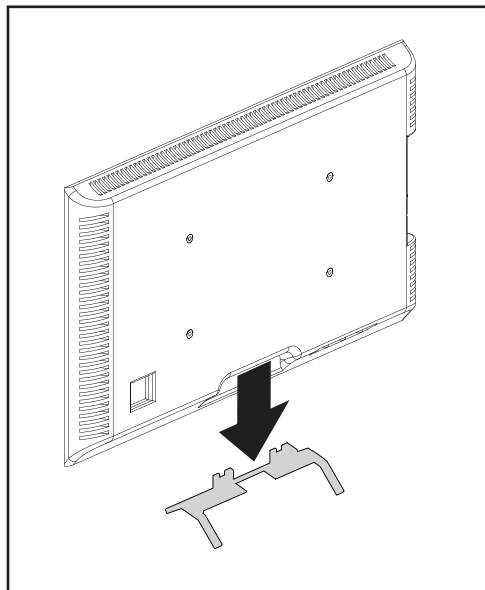
Before you begin

Don't stress out when you see all the hardware included.

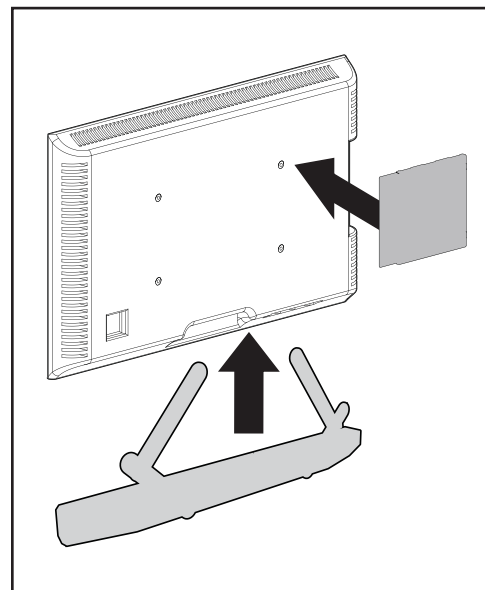
Extra TV screw sizes and lengths are provided to fit most TVs.



Remove the stand from your TV — if attached.



Install any accessories you may have purchased — if they require the TV to be removed from the wall for assembly. The TV is removable for future accessory purchases.

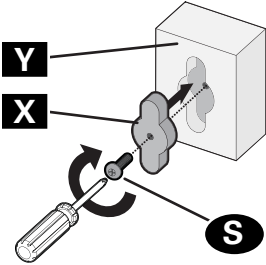


Step-by-Step illustrations

speed up your installation.

Don't get it? Read the detailed explanation below each step.

1 ASSEMBLE



TIP: Each component has a number designation. See PAGE 6.

Secure part **X** to housing **Y** using screw **S**.

Read **ALL CAUTION** warnings. These are **IMPORTANT!**

CAUTION: Avoid potential

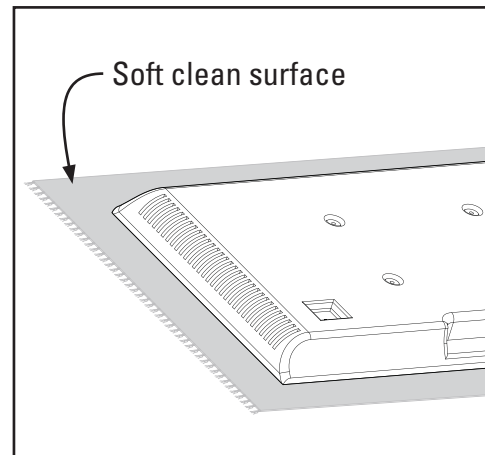
Read **Important Stuff** read read read
Must Read read read read read read
Read read read **Safety First** read r

IMPORTANT: Read **Important** read

NOTE: Read read **Dually Noted** read

TIP: Read **That's Helpful** read read

Protect the face of your TV when laying it down for installation.



Let's Go 

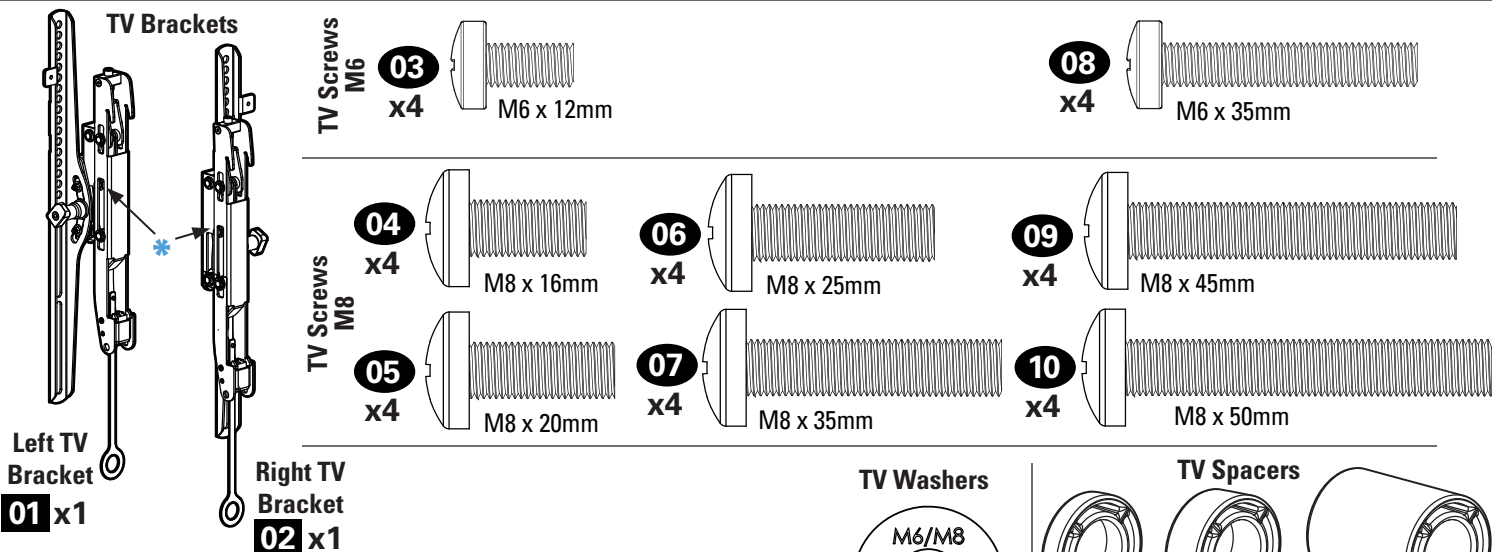
STEP 1

Attach TV Bracket to TV

WARNING: This product contains small items that could be a choking hazard if swallowed. Before starting assembly, verify all parts are included and undamaged. If any parts are missing or damaged, do not return the damaged item to your dealer; contact Customer Service. Never use damaged parts!

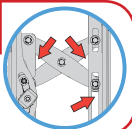
NOTE: Not all hardware included will be used.

Parts and Hardware for STEP 1

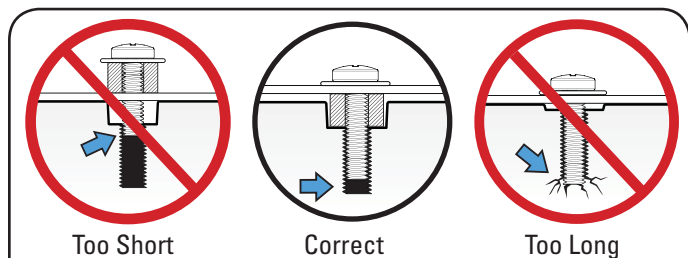
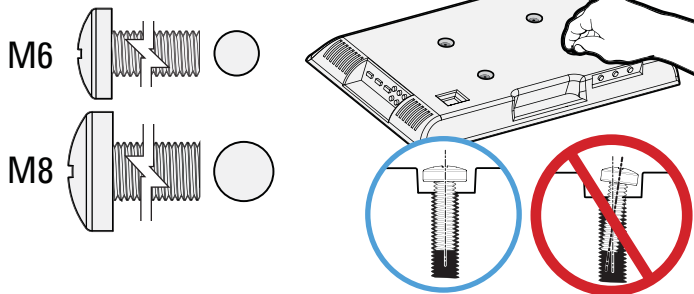


CAUTION: Avoid potential personal injury or property damage!

* The TV brackets contain potential pinch points during operation. Keep fingers away from pinch points when retracting the TV. (arrows)



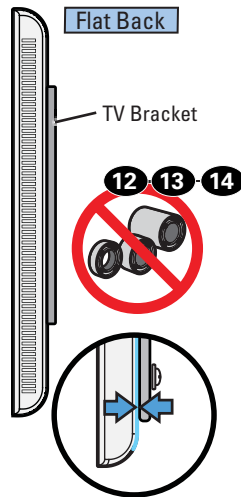
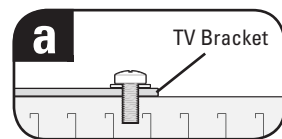
1.1 Select TV Screws



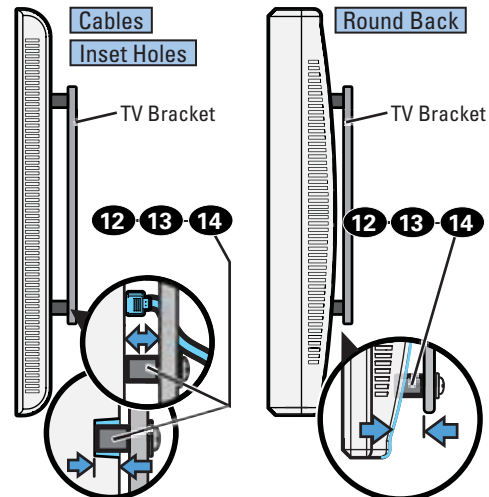
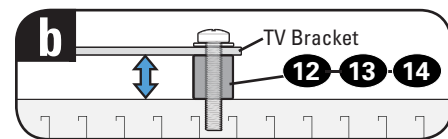
CAUTION: Verify adequate thread engagement with your screw/washer/spacer combination AND the TV brackets. (STEP 1.2). **TOO SHORT** will not hold the TV and **TOO LONG** will damage the TV.

Determine which screw diameter (M6 or M8) fits the four mounting holes on the back of your TV.

1.2 Determine Spacer Need

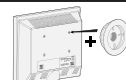


For flat-back TVs, no spacers **12**, **13** or **14** are required.

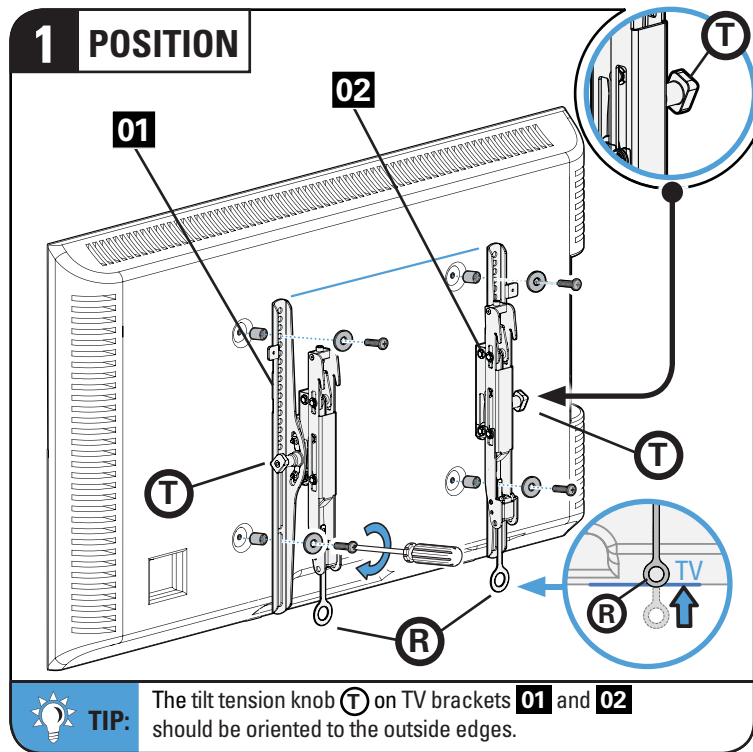


For rounded-back TVs, cable interference or inset holes, spacers **12**, **13** or **14** to create extra space between the TV and TV bracket.

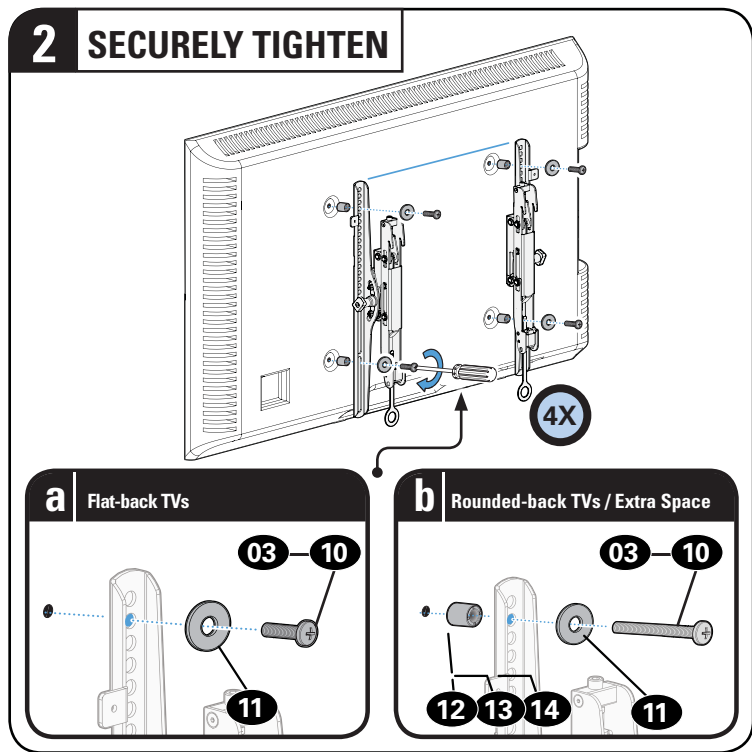
? If your TV included inset spacers or wall mount adapters, see Troubleshooting on PAGE 24.



1.3 Attach TV Bracket Assembly to TV



Center the TV brackets **01** and **02** over your TV's mounting hole pattern - making sure the brackets are at the same height. Adjust the release tabs **R** to the bottom of the TV.



Install using the spacer, screw and washer combination you selected for your TV.

STEP 2

Attach Wall Plate to Wall

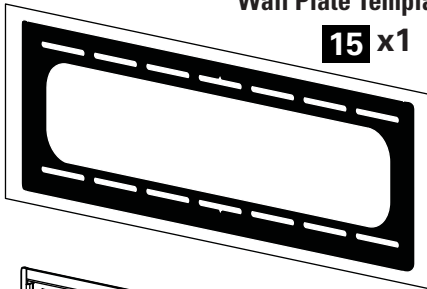
⚠ WARNING: This product contains small items that could be a choking hazard if swallowed. Before starting assembly, verify all parts are included and undamaged. If any parts are missing or damaged, do not return the damaged item to your dealer; contact Customer Service. Never use damaged parts!

📄 NOTE: Not all hardware included will be used.

Parts and Hardware for STEP 2

Wall Plate Template

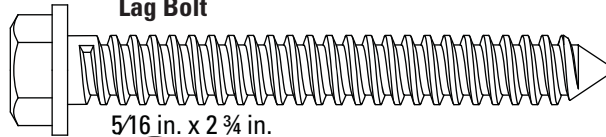
15 x1



Lag Bolt

5/16 in. x 2 3/4 in.

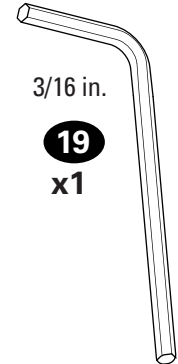
17 x4



Hex Key

3/16 in.

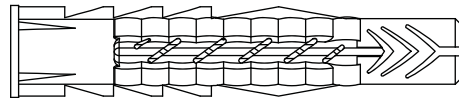
19
x1



For concrete installations ONLY

⚠ CAUTION: Do not use in drywall or wood
Concrete Anchor

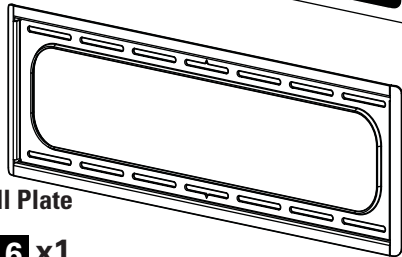
18
x4



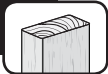
Fischer UX10 x 60R

Wall Plate

16 x1



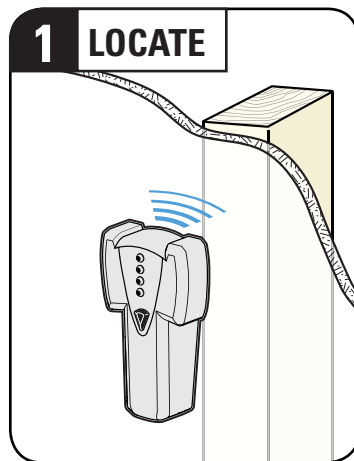
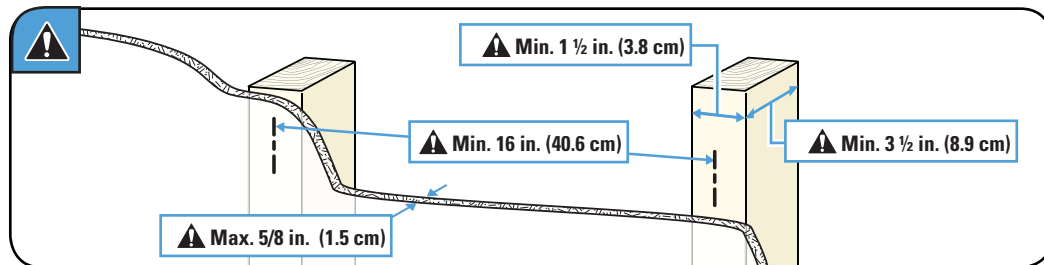
STEP 2A



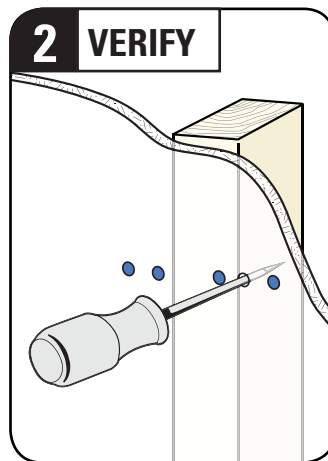
Wood Stud Installation

CAUTION: Avoid potential personal injury or property damage!

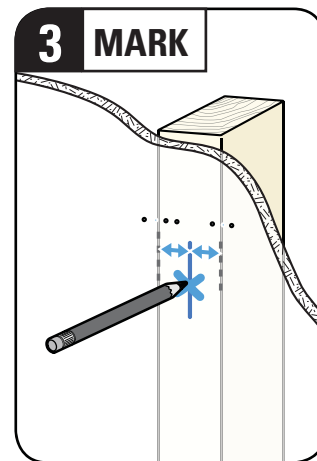
- Drywall covering the wall must not exceed 5/8 in. (1.5 cm)
- Minimum wood stud size: common 2 x 4 in. (5.1 x 10.2 cm) nominal 1 1/2 x 3 1/2 in. (3.8 x 8.9 cm)
- Minimum horizontal space between fasteners: 16 in. (40.6 cm)
- Stud centers must be verified



Locate the studs using a stud finder.

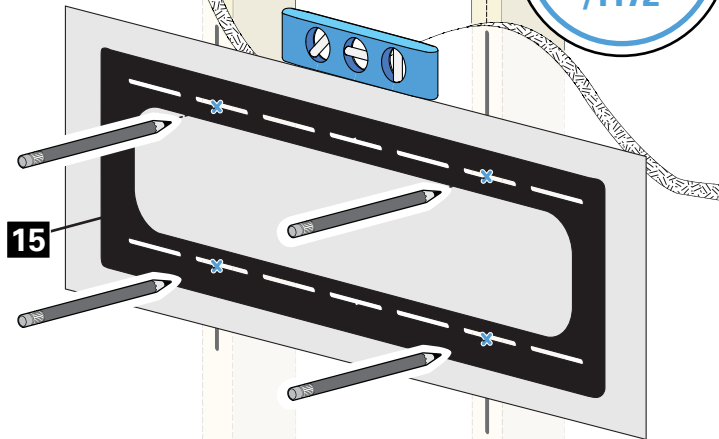


Find the edges of the studs using an awl or small drill bit.



Mark the centers of the studs with a pencil.

4 POSITION TEMPLATE



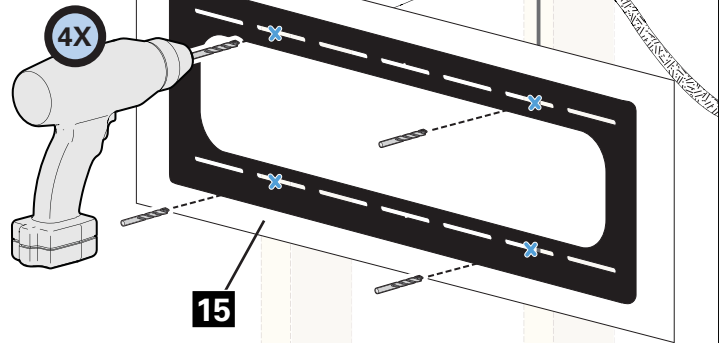
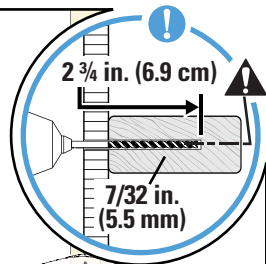
15



TIP: To calculate your precise wall plate location, check out our HeightFinder at [sanus.com \[www.sanus.com/1172\]](http://sanus.com/1172).

Place the wall plate template **15** at your desired height and position the slotted holes over your stud center lines. Level and mark the hole locations.

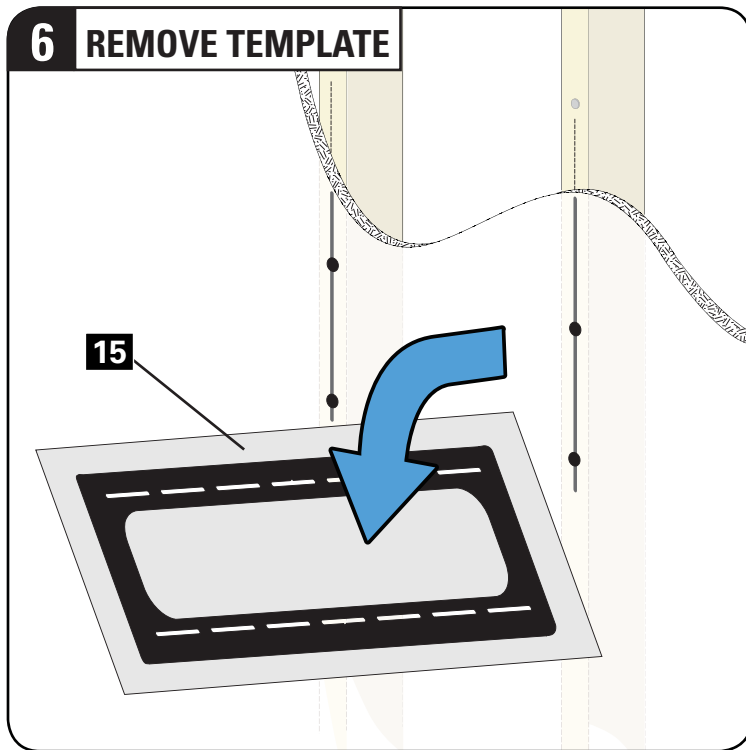
5 DRILL



CAUTION: Be sure you drill into the CENTER of the stud.

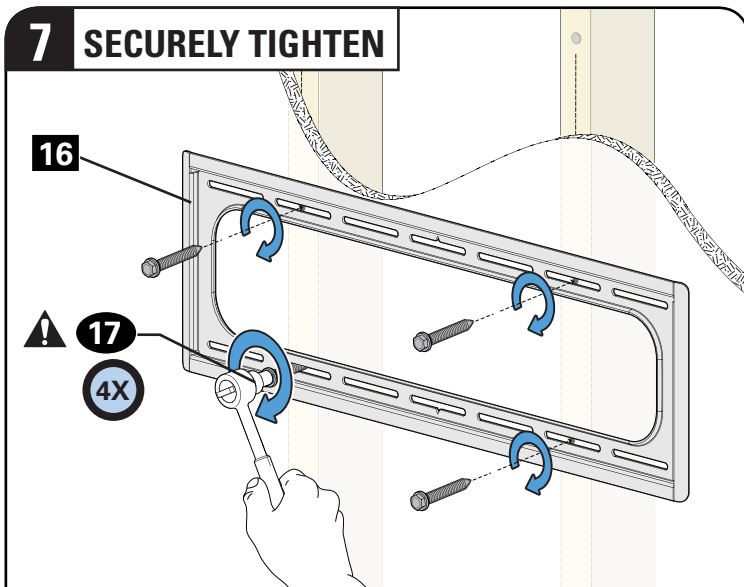
Drill the four pilot holes using a 7/32 in. (5.5 mm) diameter drill bit.
! IMPORTANT: Pilot holes must be drilled to a depth of 2 3/4 in. (6.9 cm).

6 REMOVE TEMPLATE



Remove the wall plate template and discard.

7 SECURELY TIGHTEN



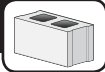
⚠ CAUTION: Avoid potential personal injury or property damage!

All four lag bolts **17** **MUST BE** firmly tightened to prevent unwanted movement of the wall plate **16**. Ensure the wall plate is securely fastened to the wall before continuing on to the next step.

Install the four lag bolts **17** and firmly tighten until they are pulled flush against the wall plate **16**.

Go to **STEP 3** on **PAGE 19**.

STEP 2B

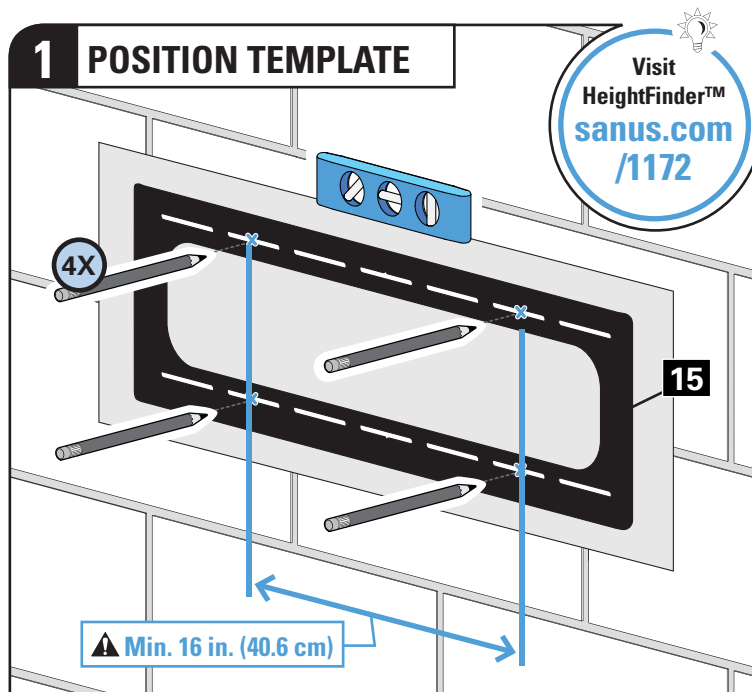


Solid Concrete or Concrete Block Installation

CAUTION: Avoid potential personal injury or property damage!

- Mount the wall plate **16** directly onto the concrete surface
- Minimum **solid concrete** thickness: 8 in. (20.3 cm)
- Minimum **concrete block** size: 8 x 8 x 16 in. (20.3 x 20.3 x 40.6 cm)
- Minimum horizontal space between fasteners: 16 in. (40.6 cm)
- **For concrete applications**, TV brackets **01** and **02** must remain centered in wall plate **16**. Keep this in mind when selecting the wall plate location

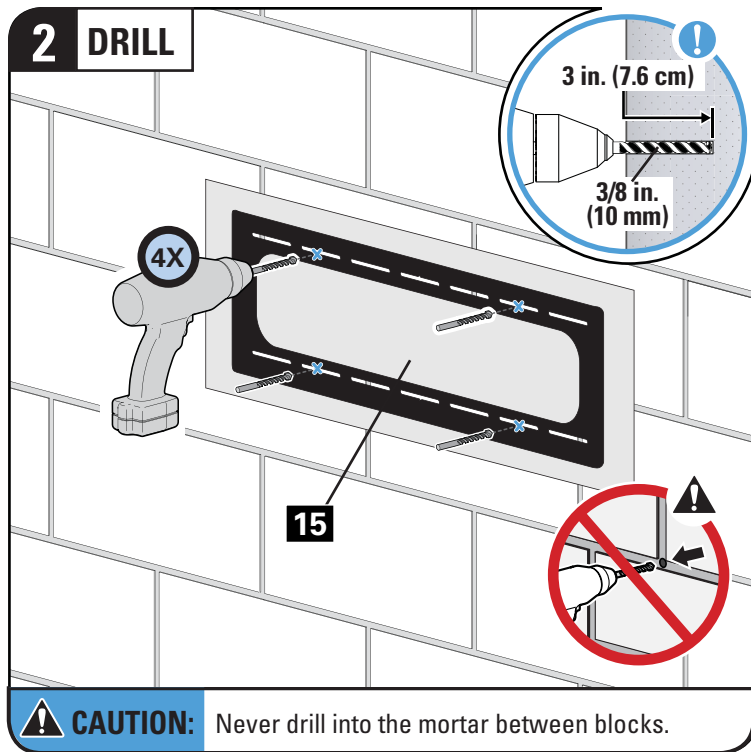
1 POSITION TEMPLATE



TIP:

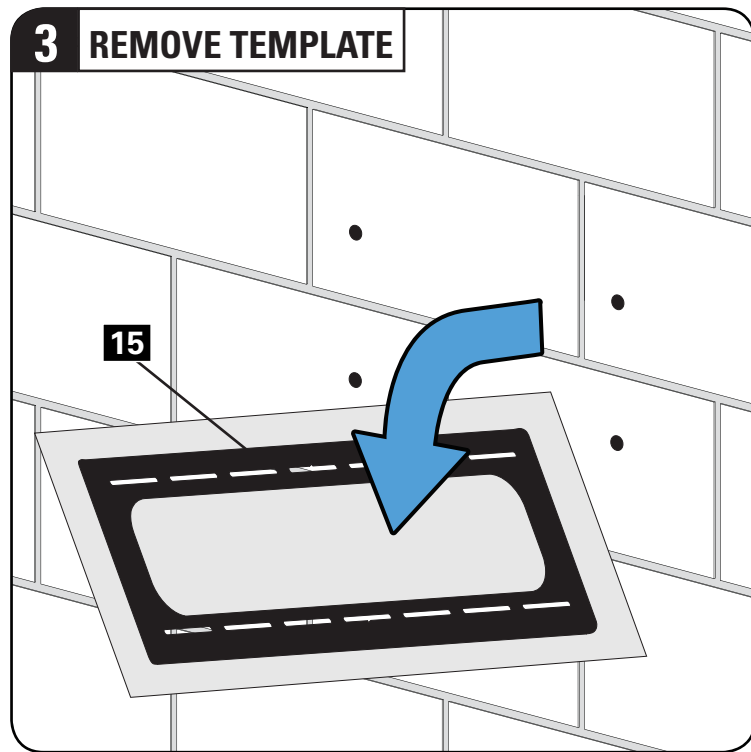
To calculate your precise wall plate location, check out our HeightFinder at sanus.com [www.sanus.com/1172].

Position the wall plate template **15** on the wall at your desired height. Level and mark the hole locations.



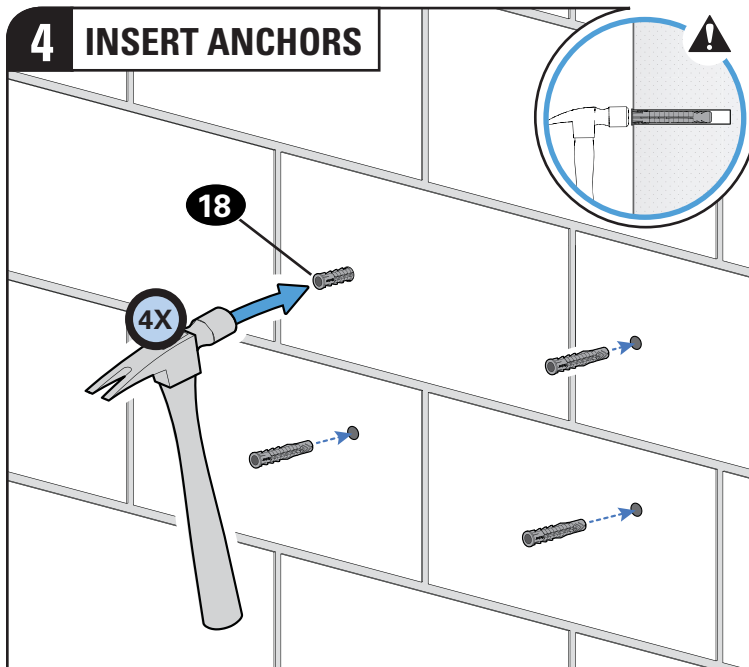
Drill four pilot holes using a 3/8 in. (10 mm) diameter drill bit.

! **IMPORTANT:** Pilot holes must be drilled to a depth of 3 in. (7.6 cm).



Remove the wall plate template **15** and discard.

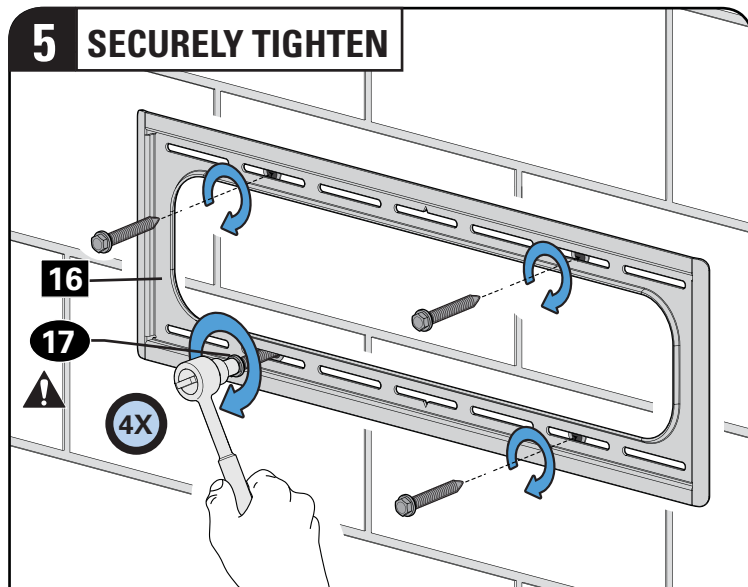
4 INSERT ANCHORS



CAUTION: Be sure the anchors **18** are seated flush with the concrete surface.

Insert four anchors **18**.

5 SECURELY TIGHTEN

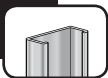


CAUTION: Avoid potential personal injury or property damage!

All four lag bolts **17** MUST BE firmly tightened to prevent unwanted movement of the wall plate **16**. Ensure the wall plate is securely fastened to the wall before continuing on to the next step.

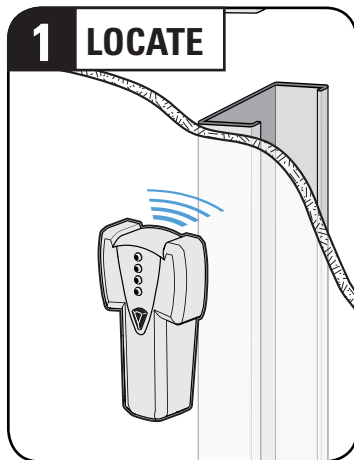
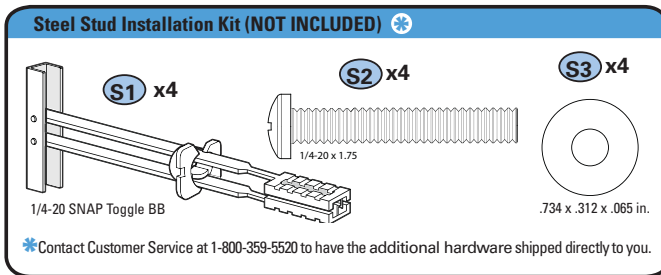
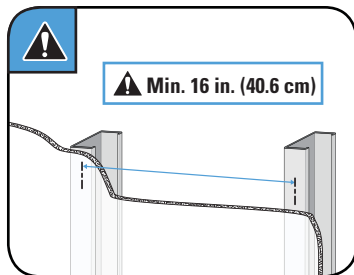
Install four lag bolts **17**. Firmly tighten all four lag bolts **17** until they are pulled flush against the wall plate **16**.

Go to **STEP 3** on **PAGE 19**

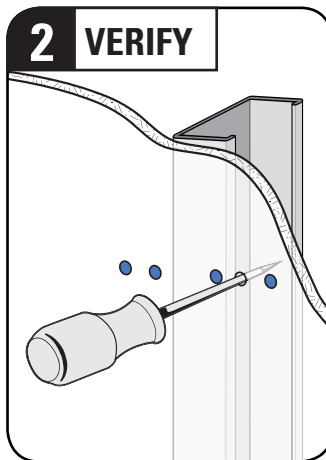


⚠ CAUTION: Avoid potential personal injury or property damage!

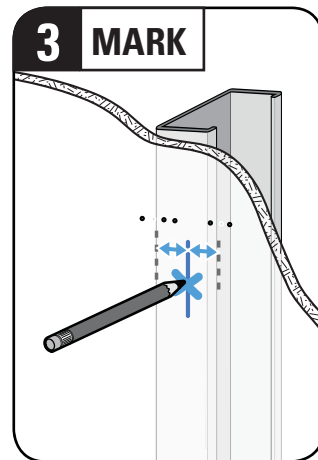
- Studs must be at least 2x4 / 25 ga.
- If back side of wall is unfinished, drywall must be installed to a minimum of one stud left and right of the stud(s) being used to install the mount
- Drywall must be a minimum of 1/2 in. (13 mm) thick on each side of the studs, and a minimum clearance of 1 7/8 in. (48 mm) behind the wall is required
- This product must be centered on the studs
- Stud type and structural strength must conform to the North American Specification for the Design of Cold-Formed Steel Structural Members [362 S 125 18, C-Shape, S - Stud Section]
- Drywall must be secured to studs with screws 12 in. (304.8 mm) on center



Locate the studs using a stud finder.



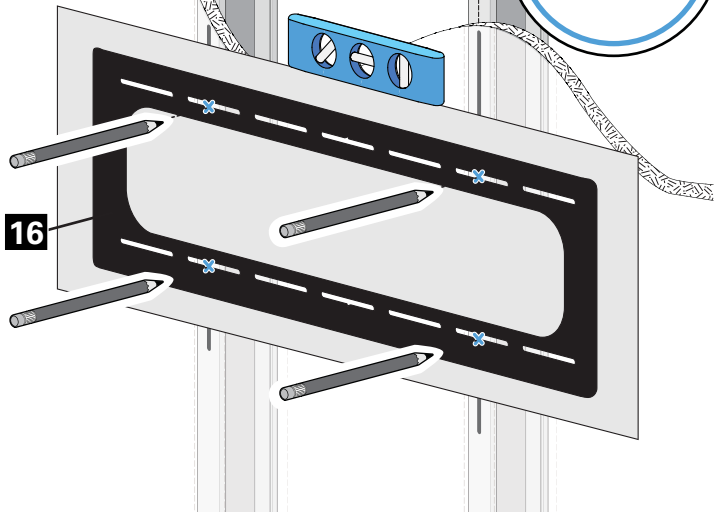
Find the edges of the studs using an awl or small drill bit.



Mark the centers of the studs with a pencil.

4 POSITION TEMPLATE

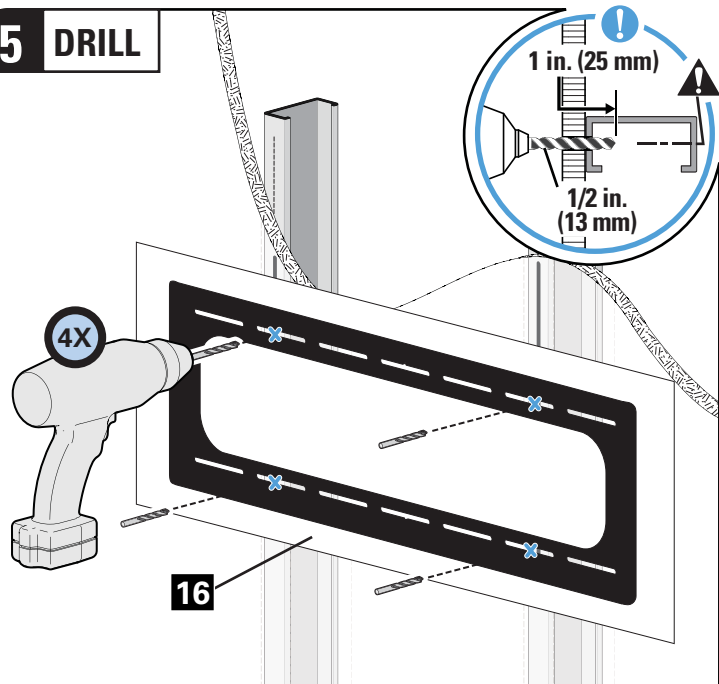
Visit
HeightFinder™
www.san.us/1172



TIP: To calculate your precise wall plate location, check out our Height Finder at sanus.com [www.san.us/1172].

Place the wall plate template **16** at your desired height and position the slotted holes over your stud center lines. Level and mark the hole locations.

5 DRILL

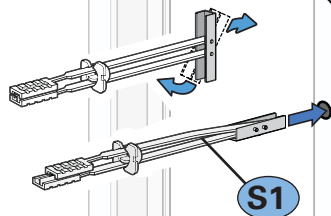


CAUTION: Be sure you drill into the CENTER of the stud.

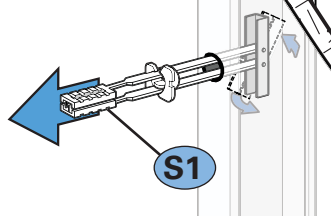
Drill the four pilot holes using a 1/2 in. (13 mm) diameter drill bit.
IMPORTANT: Pilot holes must be drilled to a depth of 1 in. (25 mm). Remove the wall plate template and discard.

6 INSTALL ANCHORS

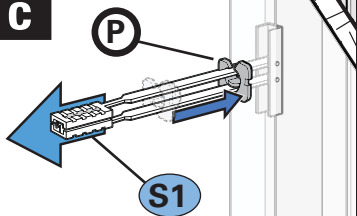
a



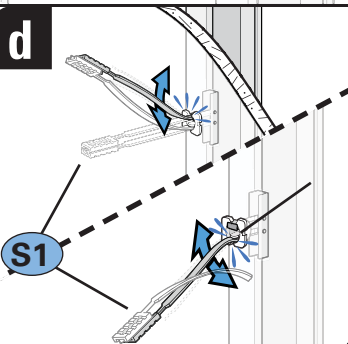
b



c



d

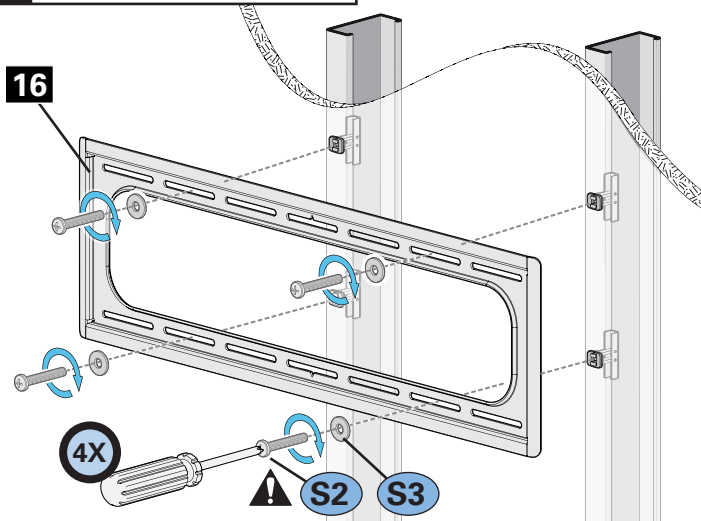


CAUTION: Be sure cap **P** is seated against the drywall surface.

a. Insert the four anchors **S1*** into the drilled holes. b. Pull to rotate the anchor **S1*** inside the wall. c. Hold the end of the anchor **S1***, while sliding the cap **P** against the drywall. d. Snap off the ends of the anchor **S1*** to lock in place.

7 SECURELY TIGHTEN

16



CAUTION: Avoid potential personal injury or property damage!

All four screws **S2** MUST BE firmly tightened to prevent unwanted movement of the wall plate **16**. Ensure the wall plate is securely fastened to the wall before continuing on to the next step.

Install the four screws **S2** and washers **S3**, and firmly tighten until they are pulled flush against the wall plate **16**.

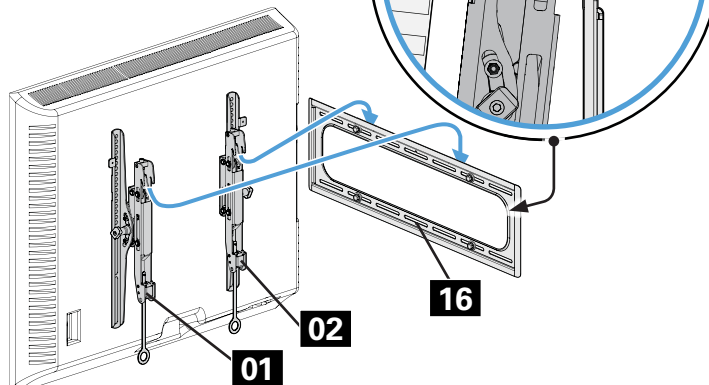
STEP 3

Attach TV to Wall Plate

1 HANG



HEAVY! You may need assistance with this step.



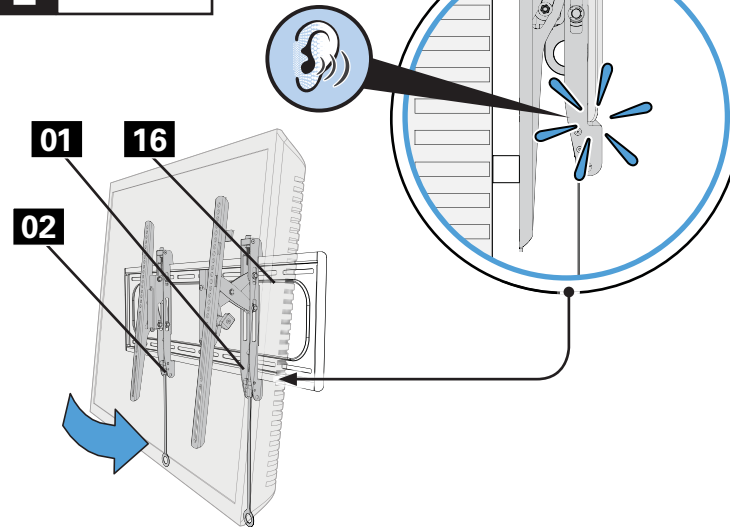
CAUTION: Avoid potential personal injury or property damage!

For **CONCRETE APPLICATIONS:**

TV brackets **01** and **02** MUST remain centered in wall plate **16**.

NOTE: For **WOOD STUD APPLICATIONS**, TV brackets **01** and **02** can be slid anywhere along wall plate **16** for optimal positioning of your TV.

2 ATTACH



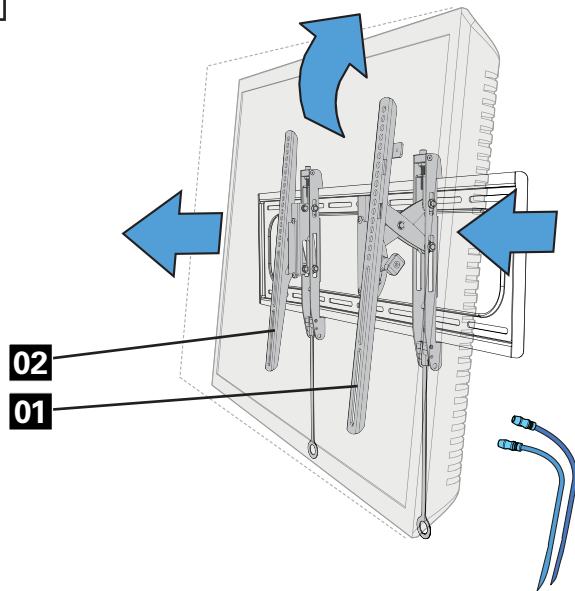
CAUTION: Avoid potential personal injury or property damage!

Always make sure TV brackets **01** and **02** are in the locked position so the TV is securely fastened to the wall plate **16**.

Press the bottom of the TV into the wall plate **16** until you hear the lock click, securing the TV in place.

Manage Cables

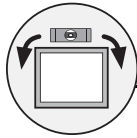
INSTALL CABLES



TIP: Extend the TV outward AND tilt the TV up or down to gain better access to the back of the TV.

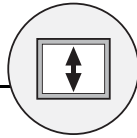
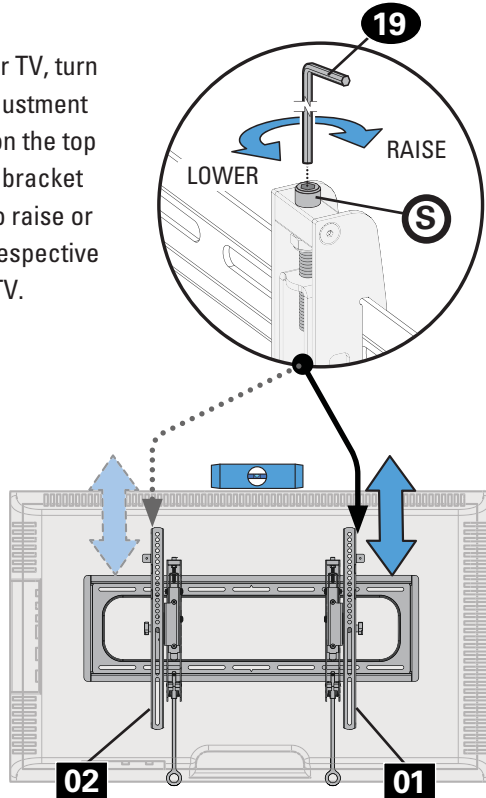
Move your TV to various positions, as needed to attach your cables, then adjust the TV as desired.

Adjustments



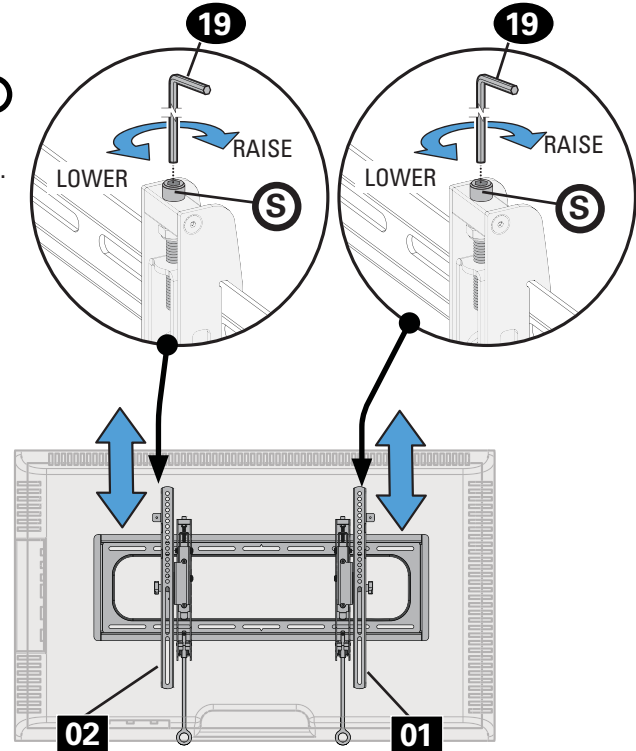
LEVEL

To level your TV, turn the level adjustment screw **(S)** on the top of either TV bracket **01** or **02** to raise or lower that respective side of the TV.



HEIGHT

Adjust the height by turning the level adjustment screw **(S)** on the top of both TV brackets **01** and **02**.



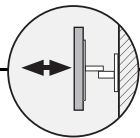
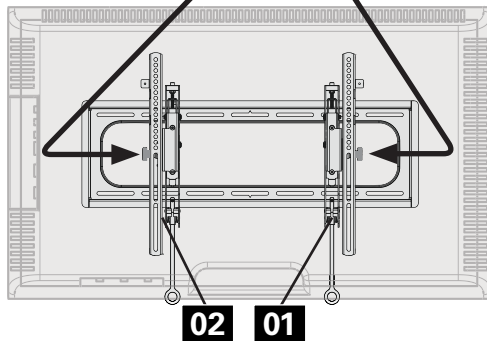
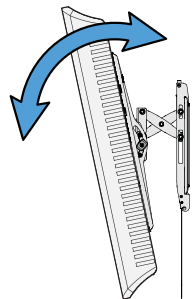
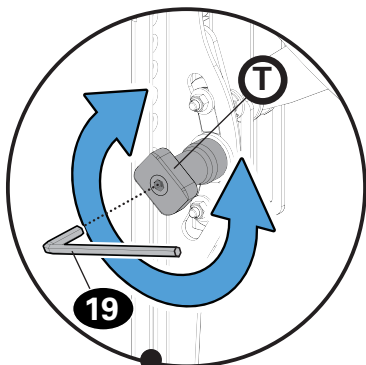


TILT

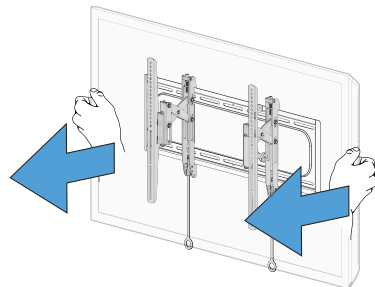
Your TV should adjust easily when moved, then stay in place.

Adjust the tilt tension knob **T** if your TV naturally tilts up or down.

NOTE: If you do not intend to adjust the tilt for different viewing locations, you can tighten the tilt tension knobs **T** to prevent unwanted movement.

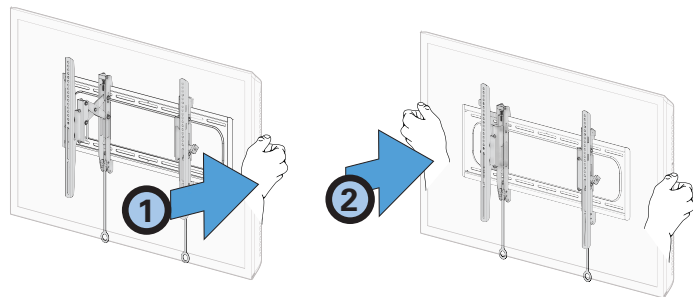
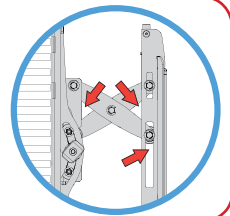


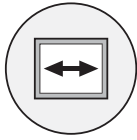
EXTEND / RETRACT



CAUTION: Avoid potential personal injury or property damage!

The TV brackets contain potential pinch points during operation. Keep fingers away from pinch points when retracting the TV. (see arrows)





TV LATERAL SHIFT

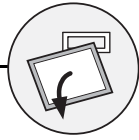
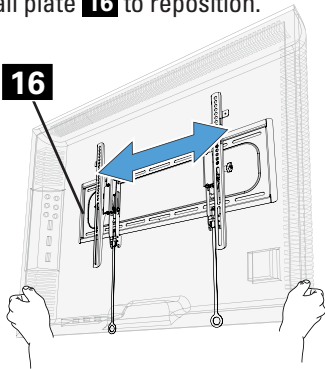


HEAVY! You may need assistance with this step.

⚠ CAUTION: Avoid potential personal injury or property damage!

For concrete applications, TV brackets **01** and **02** must remain centered in wall plate **16**.

For Wood Stud Installations ONLY: Slide the TV left or right along the wall plate **16** to reposition.



REMOVING THE TV



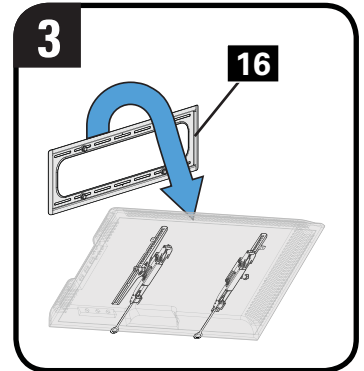
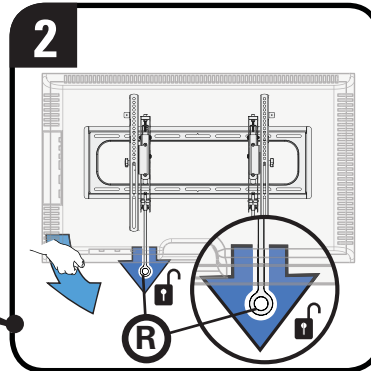
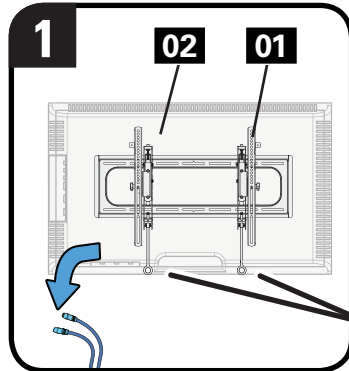
HEAVY! You may need assistance with this step.

1. Disconnect all cables from the TV.
2. To unlock the TV from the wall plate: Pull down and hold both release tabs **(R)** while gently pulling the bottom of the TV away from the wall.

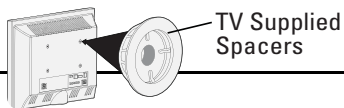
⚠ CAUTION: Avoid potential personal injury or property damage! To prevent breaking the locking latch: always pull and hold the release tabs **(R)** down while pulling the TV away from the wall.

3. Lift the TV up and off of wall plate **16**.

NOTE: To rehang the TV, follow the procedures in STEP 3 on PAGE 19.



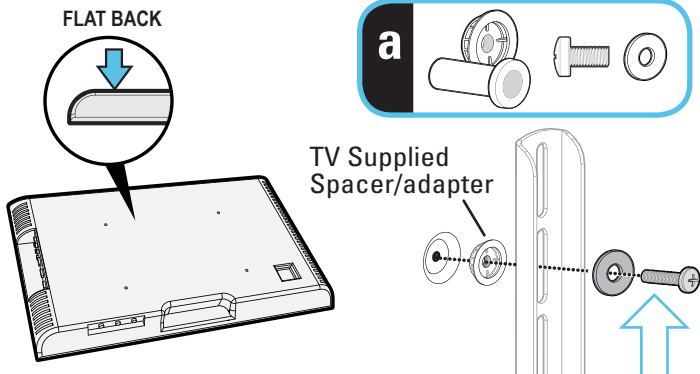
TV supplied spacers



TV Supplied Spacers

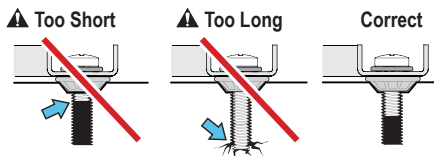
If you are uncertain about your hardware selection, contact Customer Service at 1-800-359-5520.

a: Use your TV supplied spacer/adaptor for flat back TVs (AND you want your TV closer to the wall).



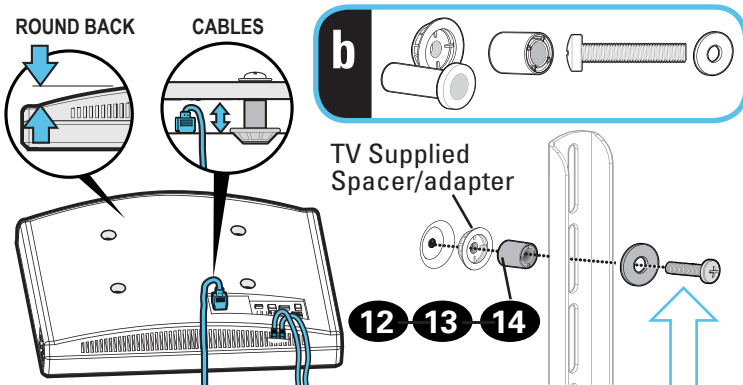
CAUTION: Avoid potential injury or property damage! Use the correct screw length for adequate thread engagement.

- Too short will not hold the TV.
- Too long will damage the TV.



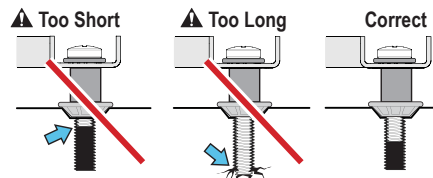
b: Use your TV supplied spacer/adaptor and spacer **12**, **13** or **14** for:

- Round (irregular) back TVs
- Extra space needed for cables



CAUTION: Avoid potential injury or property damage! Use the correct screw length for adequate thread engagement.

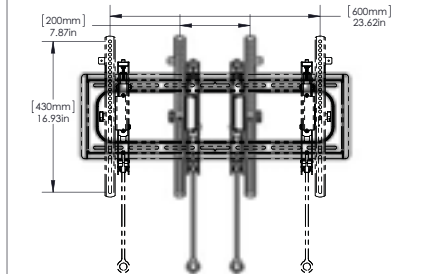
- Too short will not hold the TV.
- Too long will damage the TV.



Dimensions

in. [mm]

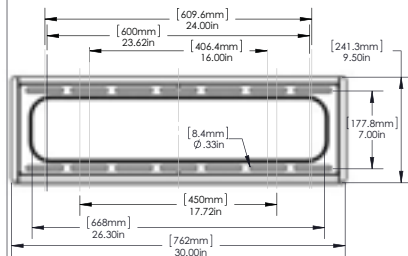
TV INTERFACE



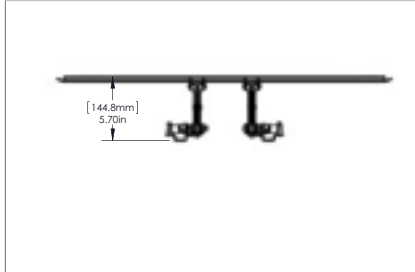
3-D



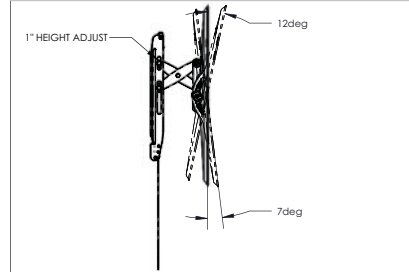
WALL PLATE



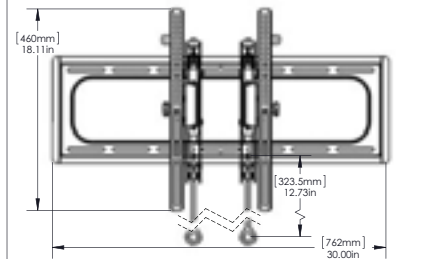
TOP VIEW - EXTENDED



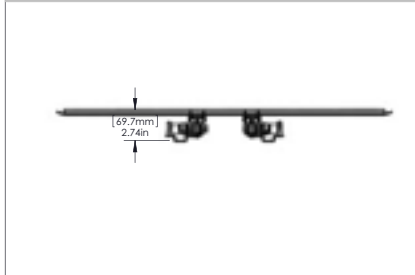
SIDE VIEW - EXTENDED



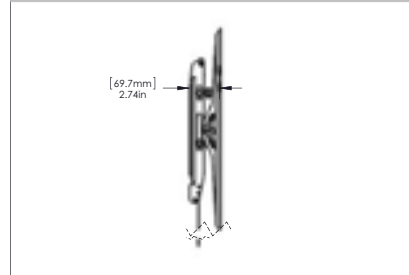
FULLY ASSEMBLED MOUNT



TOP VIEW - RETRACTED



SIDE VIEW - RETRACTED



Antes de comenzar, verifiquemos si este soporte es el adecuado para usted.

1 ¿Su televisor (incluidos los accesorios) pesa más de... →

**68,0 kg
(150 lb)**

En tabiques de yeso, hormigón sólido o bloques de hormigón

**49,8 kg
(110 lb)**

En paredes con montantes de acero

No. ¡Perfecto!

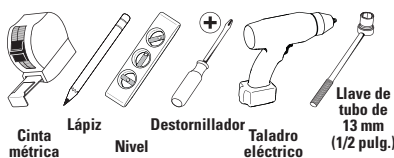
Si. Este soporte **NO** es compatible. Visite MountFinder.Sanus.com o llame al 1-800-359-5520 (Reino Unido: 0800-056-2853) para encontrar un soporte compatible.

2 ¿De qué está hecha su pared?

PRECAUCIÓN:
NO lo instale en tabiques únicamente de yeso



3 ¿Tiene todas las herramientas necesarias?



4 ¿Listo para comenzar?

Lea estas instrucciones en su totalidad para sentirse seguro y cómodo con este fácil proceso de instalación. Consulte igualmente el manual del usuario de su televisor para saber si existe algún requisito especial para instalar su televisor en la pared.

Si no entiende las instrucciones o si tiene dudas acerca de la seguridad de la instalación, del ensamblado o del uso del producto, póngase en contacto con el servicio de atención al cliente al 1-800-359-5520 (Reino Unido: 0800-056-2853).

▲ PRECAUCIÓN: Evite posibles lesiones personales y daños materiales.

- Este producto está diseñado para usarse únicamente en aplicaciones con montantes de madera, hormigón y bloques de hormigón. **NO** lo instale en tabiques únicamente de yeso. Para obtener información sobre cómo usar este producto en paredes con montantes de acero, póngase en contacto con el servicio de atención al cliente y pregunte por el kit de montaje en montantes de acero
- La pared debe soportar cinco veces el peso del televisor y del soporte juntos
- No utilice este producto para ningún otro propósito que no sea el explícitamente especificado por el fabricante
- El fabricante no se responsabiliza por ningún daño o lesión resultante del montaje incorrecto o del uso indebido

¡ESTAMOS AQUÍ PARA AYUDARLE!

¿Desea ver un video para comprobar lo fácil que es hacerlo usted mismo?

📺 Visualícelo ahora en: SANUS.com/2513

Acierte a la primera. HeightFinder™ le indica el lugar donde debe taladrar.

📺 Descúbralo en: SANUS.com/1172

Nuestros expertos en instalación de EE. UU. están listos para ayudar.

📞 Llámenos al: [800-359-5520](tel:800-359-5520) 🗨️ O contacte con nosotros por chat en: SANUS.com/chatSP

Antes de comenzar

No se preocupe cuando vea todas las herramientas incluidas. Se proporcionan tornillos específicos de diferentes tamaños y longitudes para poder usarlos con la mayoría de televisores. **¡RELÁJESE!** Solamente tendrá que usar cuatro de estos tornillos para el televisor.

Retire el soporte de su televisor... ¡si ya lo tenía instalado claro!

Instale todos los accesorios que quiera añadir a su televisor.


Compruebe en los manuales de los accesorios si es necesario instalarlos ANTES de montar el televisor.

Utilice solo las ilustraciones para instalar el soporte del televisor.


¿No lo entiende? Lea la explicación detallada debajo de cada paso.

Lea TODAS las advertencias de seguridad. ¡Son muy **IMPORTANTES!** [⚠️ **PRECAUCIÓN:** 🚫 **IMPORTANTE:** 📄 **NOTA:** 💡 **CONSEJO:**]

Proteja la pantalla del televisor cuando lo ponga boca abajo para la instalación.

 **ADVERTENCIA:** Este producto contiene piezas pequeñas que, en caso de ser tragadas, podrían producir asfixia. Antes de iniciar el ensamblaje, compruebe que todas las piezas estén incluidas y en buenas condiciones. Si faltan piezas o alguna está dañada, no devuelva el artículo al distribuidor. Póngase en contacto con el servicio de atención al cliente. Nunca utilice piezas deterioradas.

 **NOTA:** No todos los elementos de sujeción incluidos deberán utilizarse.

 **PRECAUCIÓN:** Evite posibles lesiones físicas y daños materiales. Los soportes del televisor pueden contener puntos de compresión durante la operación. Mantenga los dedos alejados de los puntos de compresión al retraer el televisor. (observe las flechas)

1.1 Seleccione los tornillos del televisor

Determine qué diámetro de tornillos (M6 o M8) encaja en los cuatro orificios de montaje de la parte trasera de su televisor.

 **PRECAUCIÓN:** Compruebe el enrosque adecuado de la combinación tornillo/arandela/espaciador y los soportes del televisor. (PASO 1.3). Si el tornillo es **DEMASIADO CORTO**, no sostendrá el televisor. Si es **DEMASIADO LARGO**, el televisor se dañará.

1.2. Determine el espaciador que necesita para su tipo de televisor

Determine dónde desea colocar el espaciador cuando fije el soporte del televisor en el PASO 1.3.

Para los televisores con la parte trasera plana y para que su televisor esté más cerca de la pared, utilice tornillos más cortos sin espaciador.

Para televisores con la parte trasera curvada, interferencia de cables u orificios empotrados, use tornillos más largos y los espaciadores **11** o **12** para crear un espacio adicional entre el televisor y el soporte.


1.3 Fije las placas de sujeción al televisor


1 COLOCAR EL SOPORTE DE TELEVISOR

Centre los soportes **01** y **02** sobre el patrón del orificio de montaje del televisor como se muestra, asegurándose de que los soportes están a la misma altura.

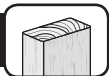
2 APRETAR CON FIRMEZA

Haga la instalación utilizando la combinación de espaciadores, tornillos y arandelas que seleccionó para su televisor.

 **ADVERTENCIA:** Este producto contiene piezas pequeñas que, en caso de ser tragadas, podrían producir asfixia. Antes de iniciar el ensamblaje, compruebe que todas las piezas estén incluidas y en buenas condiciones. Si faltan piezas o alguna está dañada, no devuelva el artículo al distribuidor. Póngase en contacto con el servicio de atención al cliente. Nunca utilice piezas deterioradas.

 **NOTA:** No todos los elementos de sujeción incluidos deberán utilizarse.

PASO 2A



Instalación en pared con montantes de madera

PÁGINA 10

⚠ PRECAUCIÓN: Evite posibles lesiones físicas y daños materiales.

- El yeso que recubre la pared no debe exceder los 1,5 cm (5/8 pulg.)
- Tamaño mínimo del montante de madera: común 5,1 x 10,2 cm (2 x 4 pulg.) nominal 3,8 x 8,9 cm (1 ½ x 3 ½ pulg.)
- Espacio horizontal mínimo entre los elementos de sujeción: 40,6 cm (16 pulg.)
- Debe comprobar los montantes centrales

1 LOCALIZAR LOS MONTANTES

Localice los montantes usando un localizador de montantes.

2 VERIFICAR LOS BORDES DE LOS MONTANTES

Encuentre los bordes de los montantes usando un punzón o una pequeña broca.

3 MARCAR LOS CENTROS DE LOS MONTANTES

Marque los centros de los montantes con un lápiz.

4 COLOCAR LA PLANTILLA

💡 CONSEJO: Para calcular la ubicación concreta de la placa mural, pruebe nuestra herramienta HeightFinder disponible en sanus.com [www.sanus.com/1172].

Coloque la plantilla de la placa mural **13** a la altura que desee y ubique los orificios muescados sobre las líneas centrales del montante. Nivele y marque la ubicación de los orificios.

5 TALADRAR ORIFICIOS EN LOS CENTROS DE LOS MONTANTES

Taladre los cuatro orificios guía con una broca de 5,5 mm (7/32 pulg.) de diámetro. **⚠ IMPORTANTE:** Los orificios guía deben taladrarse hasta una profundidad de 6,9 cm (2 ¾ pulg.).

6 RETIRAR LA PLANTILLA

Retire la plantilla de la placa mural y apártela.

7 APRETAR CON FIRMEZA

⚠ PRECAUCIÓN: Evite posibles lesiones físicas y daños materiales. Los cuatro tornillos **14** DEBEN ESTAR ajustados con firmeza para evitar el movimiento no deseado de la placa mural **13**. Asegúrese de que la placa de pared esté bien fijada a la pared antes de continuar con el paso siguiente.

Instale los cuatro tornillos **14** y ajústelos con firmeza hasta que estén a ras contra la placa mural **13**.

Vaya al PASO 3 en la PÁGINA 19.



⚠ PRECAUCIÓN: Evite posibles lesiones físicas y daños materiales.

- Instale la placa mural **13** directamente sobre la superficie de hormigón
- Espesor mínimo del **hormigón:** 20,3 cm (8 pulg.)
- Tamaño mínimo del **bloque de hormigón:** 20,3 x 20,3 x 40,6 cm (8 x 8 x 16 pulg.)
- Espacio horizontal mínimo entre los elementos de sujeción: 40,6 cm (16 pulg.)
- **Para las aplicaciones sobre hormigón**, los soportes de televisor **01** y **02** deben estar centrados en la placa mural **17**. Tenga esto en cuenta al seleccionar la ubicación de la placa mural

1 COLOCAR LA PLANTILLA

💡 CONSEJO: Para calcular la ubicación concreta de la placa mural, pruebe nuestra herramienta HeightFinder disponible en sanus.com [www.sanus.com/1172].

Coloque la plantilla de la placa mural **13** en la pared a la altura que desee. Nivele y marque la ubicación de los orificios.

2 TALADRAR LOS ORIFICIOS

Taladre cuatro orificios guía con una broca de 10 mm (3/8 pulg.) de diámetro. **⚠ IMPORTANTE:** Los orificios guía deben taladrarse hasta una profundidad de 7,6 cm (3 pulg.).

3 RETIRAR LA PLANTILLA

Retire la plantilla de la placa mural y apártela.

4 INSERTAR LOS ANCLAJES

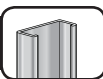
Inserte cuatro anclajes **15**.

5 APRETAR CON FIRMEZA

⚠ PRECAUCIÓN: Evite posibles lesiones físicas y daños materiales. Los cuatro tornillos **14** DEBEN ESTAR ajustados con firmeza para evitar el movimiento no deseado de la placa mural **13**. Asegúrese de que la placa de pared esté bien fijada a la pared antes de continuar con el paso siguiente.

Instale los cuatro pernos tirafondo **14**. Apriételos **14** con firmeza hasta que queden nivelados respecto a la placa mural **13**.

Vaya al PASO 3 en la PÁGINA 19.



⚠ PRECAUCIÓN: Evite posibles lesiones físicas y daños materiales.

- Los montantes deben ser de, al menos, 2x4 / 25 ga
- Si la parte posterior de la pared no está acabada, se deben instalar paneles de yeso en, al menos, uno de los montantes a la izquierda y a la derecha que vayan a emplearse para instalar el soporte
- Los paneles de yeso deben tener un espesor mínimo de 13 mm (1/2 pulg.) en cada lado de los montantes y una holgura mínima de 48 mm (1 7/8 pulg.) por detrás de la pared.
- Este producto debe centrarse en los montantes
- El tipo de montante y la resistencia estructural deben ajustarse a la Normativa norteamericana para el diseño de componentes estructurales de acero forjado en frío [Sección 362 S 125 18, Forma en C, Montante S]
- Los paneles de yeso se deben fijar con tornillos a 304,8 mm (12 pulg.) del centro de los montantes

1 LOCALIZAR LOS MONTANTES

Localice los montantes usando un localizador de montantes.

2 VERIFICAR LOS BORDES DE LOS MONTANTES

Encuentre los bordes de los montantes usando un punzón o una pequeña broca.

3 MARCAR LOS CENTROS DE LOS MONTANTES

Marque los centros de los montantes con un lápiz.

4 COLOCAR LA PLANTILLA

💡 CONSEJO: Para calcular la ubicación concreta de la placa mural, pruebe nuestra herramienta HeightFinder disponible en sanus.com [www.sanus.com/1172].

Coloque la plantilla de la placa mural **13** a la altura que desee y ubique los orificios muescados sobre las líneas centrales del montante. Nivele y marque la ubicación de los orificios.

5 TALADRAR ORIFICIOS EN LOS CENTROS DE LOS MONTANTES

Taladre los cuatro orificios guía con una broca de 13 mm (1/2 pulg.) de diámetro. **⚠ IMPORTANTE:** Los orificios guía deben taladrarse hasta una profundidad de 25 mm (1 pulg.). Retire la plantilla de la placa mural y apártela.

6 INSTALAR LOS ANCLAJES

⚠ PRECAUCIÓN: Asegúrese de que el obturador **(P)** está afianzado contra la superficie de la pared de yeso.

- a. Inserte los cuatro anclajes **(S1)*** en los orificios perforados. b. Tire para girar el anclaje **(S1)*** hacia la pared. c. Sostenga el extremo del anclaje **(S1)***, mientras desliza el obturador **(P)** contra la pared de yeso. d. Separe los extremos del anclaje **(S1)*** para fijar en su lugar.

7 APRETAR CON FIRMEZA

⚠ PRECAUCIÓN: Evite posibles lesiones físicas y daños materiales. Los cuatro tornillos **(S2) DEBEN ESTAR** ajustados con firmeza para evitar el movimiento no deseado de la placa mural **13**. Asegúrese de que la placa de pared esté bien fijada a la pared antes de continuar con el paso siguiente.

Instale los cuatro tornillos **(S2)** y ajústelos con firmeza hasta que estén a ras contra la placa mural **13**.

PASO 3**Fijar el televisor en la placa mural**

PÁGINA 19

1 CUELGUE EL TELEVISOR EN LA PLACA MURAL

⚠ PRECAUCIÓN: Evite posibles lesiones físicas y daños materiales. Para **APLICACIONES EN HORMIGÓN:** Los soportes de televisor **01** y **02** DEBEN estar centrados en la placa mural **13**.

📄 NOTA: Para **APLICACIONES SOBRE MONTANTES DE MADERA**, los soportes de televisor **01** y **02** se pueden deslizar a cualquier parte de la placa **13** para conseguir colocar su televisor en una posición óptima.

2 PRESIONE LA PARTE INFERIOR DEL TELEVISOR PARA FIJARLO

Presione la parte inferior del televisor contra el conjunto de la placa mural **13** hasta que oiga el chasquido de bloqueo que indica que ha colocado el televisor en su sitio.

Organizar los cables

PÁGINA 20

Cambie la posición de su televisor para poder conectar los cables y, a continuación, ajústelo como desee.

Ajustes

PÁGINA 21

NIVEL

Para nivelar el televisor, gire el tornillo de ajuste de nivel **(S)** situado en la parte superior de cualquiera de los soportes **01** o **02** para subir o bajar el lado correspondiente del televisor.

ALTURA

Ajuste la altura girando el tornillo de ajuste de nivel **(S)** situado en la parte superior de los dos soportes **01** y **02**.

INCLINACIÓN

El televisor debe acomodarse fácilmente al moverlo y, posteriormente, quedar en su lugar. Si el televisor se inclina hacia arriba o hacia abajo de forma natural, **(T)** ajuste las perillas de tensión de inclinación a mano. **📄 NOTA:** Si no pretende ajustar la inclinación a diferentes ubicaciones de visión, puede ajustar las perillas de tensión de inclinación **(T)** para evitar movimientos no deseados.

EXTENDER / RETRAER




⚠ PRECAUCIÓN: Evite posibles lesiones físicas y daños materiales. Los soportes del televisor pueden contener puntos de compresión durante la operación. Mantenga los dedos alejados de los puntos de compresión al retraer el televisor. (observe las flechas)

DESPLAZAMIENTO LATERAL DEL TELEVISOR ¡ELEMENTO PESADO! Es posible que necesite ayuda en este paso.

⚠ PRECAUCIÓN: Evite posibles lesiones físicas y daños materiales. Para las aplicaciones sobre hormigón, los soportes de televisor **01** y **02** deben estar centrados en la placa mural **17**.

SOLO para instalaciones sobre montantes de madera: Deslice el televisor a la derecha o a la izquierda a lo largo de la placa mural **13** para recolocarlos.

RETIRAR EL TELEVISOR ¡ELEMENTO PESADO! Es posible que necesite ayuda en este paso.

1. Desconecte todos los cables del televisor. **2.** Para desbloquear el televisor de la placa mural: Tire hacia abajo y sostenga ambos cables de liberación  mientras tira con cuidado de la parte inferior del televisor para separarlo de la pared. **⚠ PRECAUCIÓN:** Evite posibles lesiones físicas y daños materiales. Para evitar romper el pasador de seguridad: siempre tire y sostenga los cables de liberación  mientras retira el televisor de la pared. **3.** Levante el televisor y retírelo de la placa mural **13**.  **NOTA:** Para volver a colgarlo, siga el procedimiento descrito en el PASO 3 en la PÁGINA 16.

Solución de problemas

PÁGINA 24

a: Use el separador proporcionado para televisores con partes traseras planas (o bien si quiere que su televisor esté más cerca de la pared).

b: Use el separador proporcionado con el televisor y el separador **11** o **12** para: televisores con la parte trasera redondeada (irregular) o si necesita espacio adicional para los cables.

Si tiene dudas sobre la selección de las piezas, contacte con el servicio de atención al cliente en el 1-800-359-5520.

⚠ PRECAUCIÓN: Evite posibles lesiones personales y daños materiales. Use la longitud correcta de tornillos para un enrosque adecuado. Si el tornillo es demasiado corto, no sostendrá el televisor. Si es demasiado largo, el televisor se dañará.

Dimensiones

PÁGINA 25

Milestone AV Technologies and its affiliated corporations and subsidiaries (collectively, "Milestone"), intend to make this manual accurate and complete. However, Milestone makes no claim that the information contained herein covers all details, conditions, or variations. Nor does it provide for every possible contingency in connection with the installation or use of this product. The information contained in this document is subject to change without notice or obligation of any kind. Milestone makes no representation of warranty, expressed or implied, regarding the information contained herein. Milestone assumes no responsibility for accuracy, completeness or sufficiency of the information contained in this document.

ONE MORE THING: BE A WINNER!

SANUS

PRODUCTS SERVICES LEARN TOOLS MEDIA SUPPORT CONTACT

Product Registration and Information Search

Product Registration

Home > About Registration > Product Information

Step 2 - Product Information

We're glad you chose to register your SANUS product!

Get a big bonus, 10% off, just for registering your product. Use this code: 10% off in store or online >>> **DISCOUNT** Code is valid through 12/31/2014. All times local.

SANUS has hundreds of products. Which one did you choose? We'll get you a 10% off from you.

Product Number:

Call Number:

Warranty: (Setup your warranty)

I'm sure this is the exact model.

By registering this item, you are certifying that you own a major appliance in the US, 180 United States or in a major metropolitan area of any other country on the date of the "Registration and Information" page.

Register

TALK TO US
1-800-359-5520
Monday - Friday 9am - 5pm CST
Saturday - Sunday 10am - 4pm CST

WARRANTY Information

America's Office
4430 City West Parkway
Allen, Texas, 75013-2244, USA
Tel/Fax: +1 800-359-5520
Phone: +1 972-494-3995
Fax: +1 972-494-3995
E-Mail: usa@sanus.com
Customer Service Hours
Monday - Friday 9am - 5pm CST
Saturday - Sunday 10am - 4pm CST

Register your new mount and tell us how you like it for a chance to win in our monthly sweepstakes.

Entering is quick and easy. Visit SANUS.com/1234 and follow three simple steps for your chance to win.

"Monthly Prize" sweepstakes rules and restrictions apply. Visit SANUS.com/1234 for details.

IT'S TIME TO SHOW OFF



When you share your handiwork
with your friends, tag

#sanusspaces

for a chance to be featured in the
Inspiration Gallery on SANUS.com.



SANUS.com
WE MAKE IT EASY



SanusSystems
CHAT WITH US



pinterest.com/Sanus
BE INSPIRED



SanusSystems
WATCH AND LEARN

800-359-5520 • info@sanus.com • SANUS.com

SANUS • 6436 City West Parkway • Eden Prairie, MN 55344 USA

©2016 Milestone AV Technologies. All rights reserved. SANUS is a division of Milestone.

All other brand names or marks are used for identification purposes and are trademarks of their respective owners.

6901-002606 00