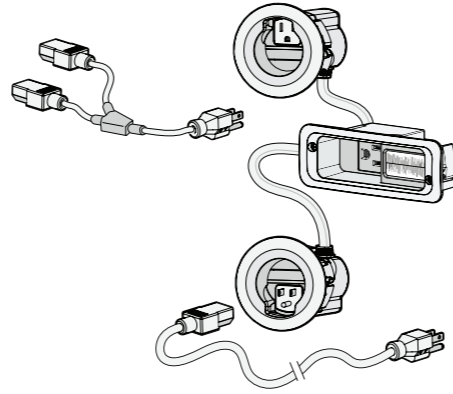


# SANUS®

A brand of Legrand

## Cable Concealer TV & Soundbar Power

Model **BSA-IWP801**  
OWNERS GUIDE



**Thank you for choosing SANUS!**

Please take a moment to let us know how we did:

1-800-359-5520

info@sanus.com

6436 City West Parkway, Eden Prairie, MN 55344

### IMPORTANT SAFETY INSTRUCTIONS

PLEASE READ ENTIRE MANUAL PRIOR TO USE – SAVE THESE INSTRUCTIONS

**CAUTION:** Avoid potential personal injuries and property damage!

- Please read through these instructions completely to be sure you're comfortable with this easy install process.
- Do not use this product for any purpose not explicitly specified by manufacturer.
- Manufacturer is not responsible for damage or injury caused by incorrect assembly or use.
- If you do not understand these instructions or have doubts about the safety of the installation, assembly or use of this product, contact customer service at 1-800-359-5520.

**WARNING:** RISK OF FIRE AND SHOCK. Do not connect the modules 01 or 02 to any other circuits or outlets.

**CAUTION:** RISK OF FIRE AND SHOCK. ONLY intended for use on 15 ampere branch circuits. Do not install power supply cord 03 within wall cavity.

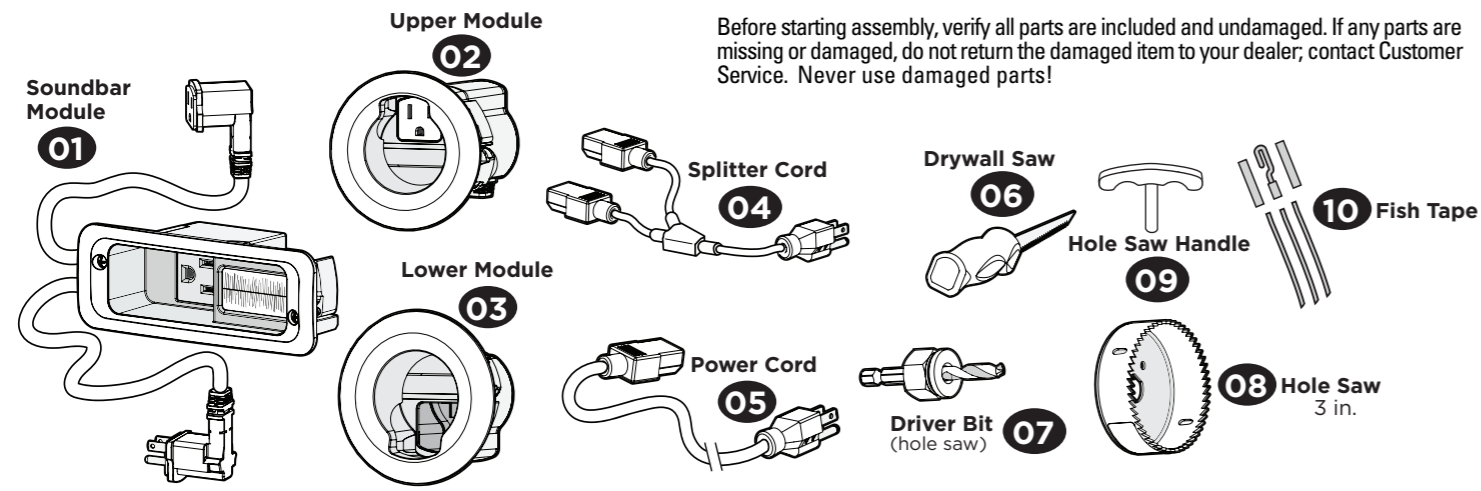
This product conforms to and should be properly grounded in compliance with requirements of the current National Electrical Code or codes administered by local authorities.

All electrical products may present a possible shock or fire hazard if improperly installed or used. This product may bear the mark of a Nationally Recognized Testing Laboratory and should be installed in conformance with current local and/or the National Electrical Code.

### Supplied Parts and Hardware

**WARNING:** This product contains small items that could be a choking hazard if swallowed.

Before starting assembly, verify all parts are included and undamaged. If any parts are missing or damaged, do not return the damaged item to your dealer; contact Customer Service. Never use damaged parts!



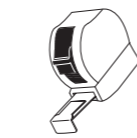
Legrand AV Inc. and its affiliated corporations and subsidiaries (collectively, "Legrand"), intend to make this manual accurate and complete. However, Legrand makes no claim that the information contained herein covers all details, conditions, or variations. Nor does it provide for every possible contingency in connection with the installation or use of this product. The information contained in this document is subject to change without notice or obligation of any kind. Legrand makes no representation of warranty, expressed or implied, regarding the information contained herein. Legrand assumes no responsibility for accuracy, completeness or sufficiency of the information contained in this document.

©2022 Legrand AV Inc. All rights reserved. Made in China.

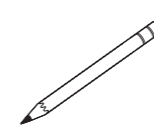
Legrand AV Inc. 6436 City West Parkway; Eden Prairie, MN 55344 USA

6901-603104

### Tools Needed



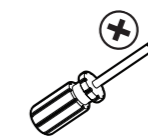
Tape Measure



Pencil



Electric Drill

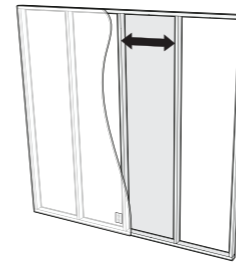


Phillips Screwdriver



**Paint (optional)**  
Surfaces are paintable to match your decor

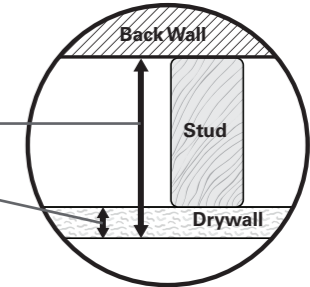
### Verify Wall Compatibility



This Cable Kit is designed to fit into both interior and exterior walls constructed with:

Minimum Space into Wall: 3 in.

Minimum Drywall Thickness: 1/2 in.

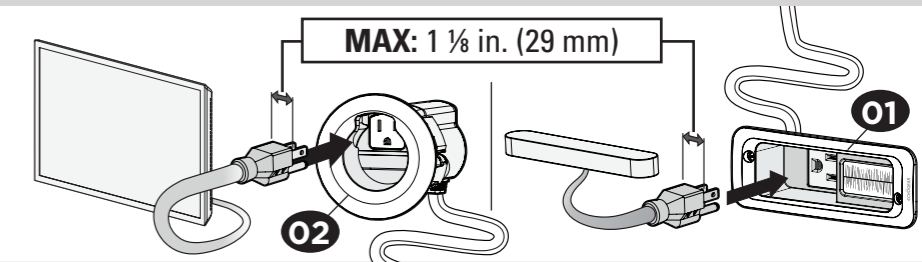


**NOTE:** Walls with blown-in type insulation may require removal of some insulation inside the cavity.

### Verify TV Plug Fit

**BEFORE DRILLING ANY HOLES:**

Make sure your TV plug fits in the upper module 02 and your soundbar fits in soundbar module 01.

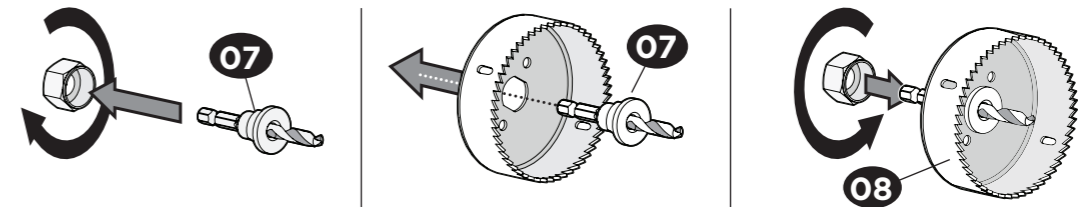


## STEP 1

### Drill Holes

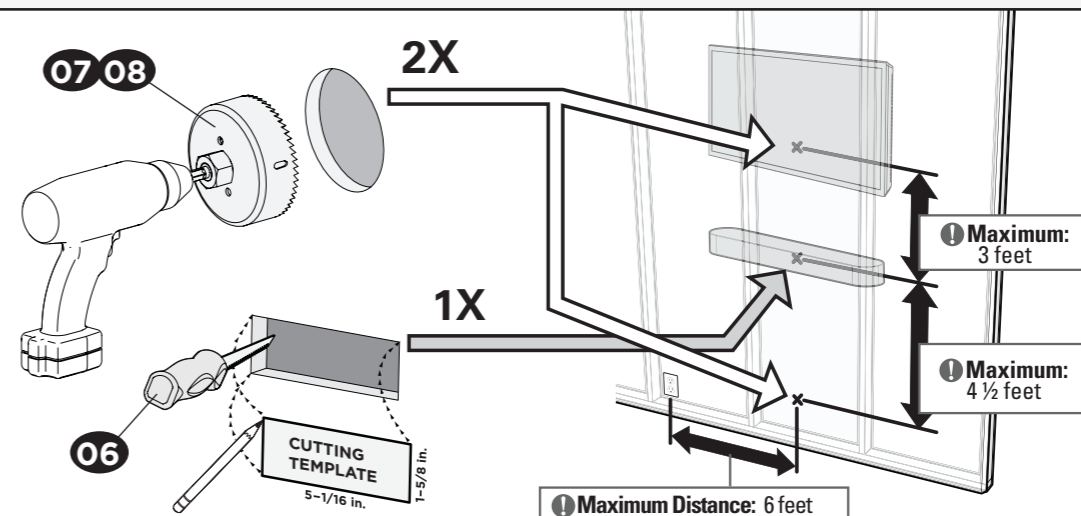
#### a Assemble Hole Saw

**Note:** Attach and use hole saw handle 09 provided to manually drill holes if an electric drill isn't available.



#### b Cut Holes

**TIP:** Drill the top hole BEHIND your TV and the soundbar hole BEHIND your soundbar.

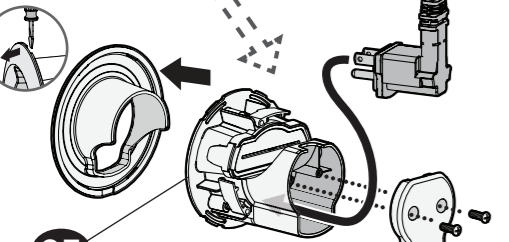
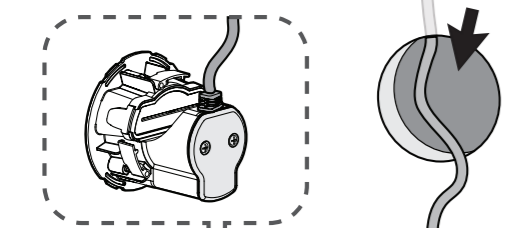
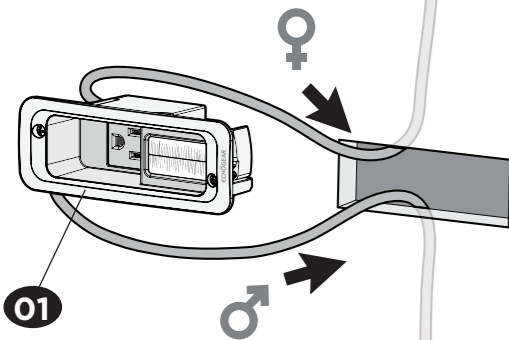
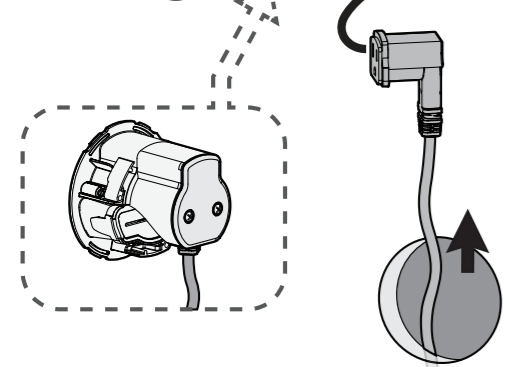
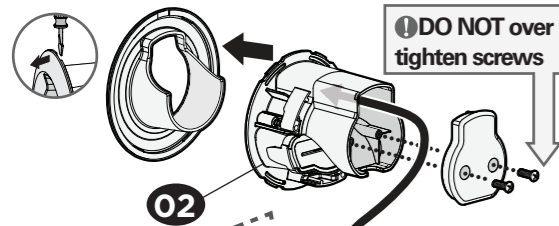
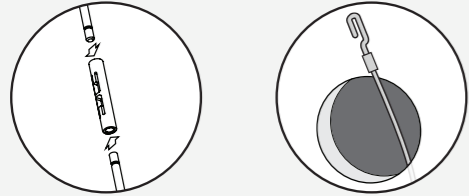


©2022 Legrand AV Inc. All rights reserved. Made in China.

## STEP 2

### Route Power Cords

Assemble and use the fish tape **10** provided to pull the cables through the wall.

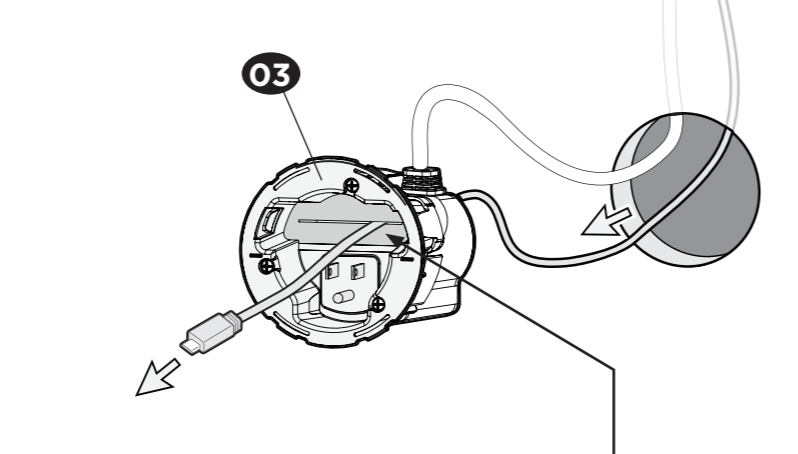
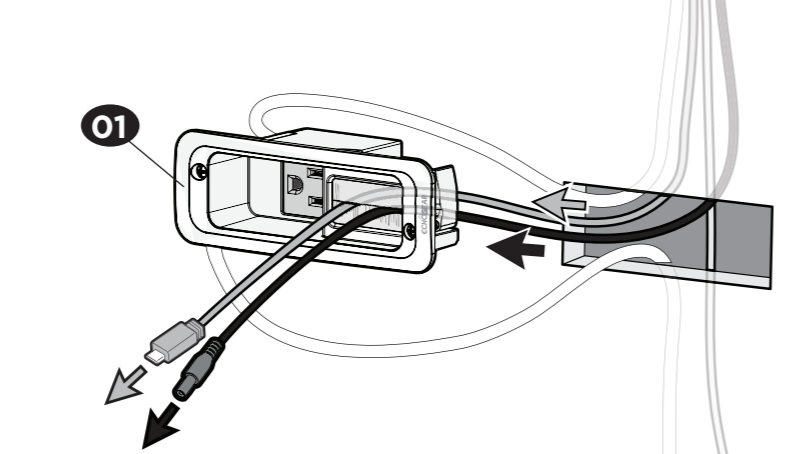
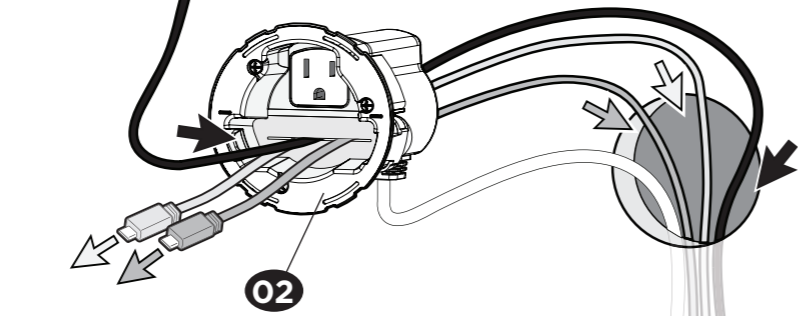
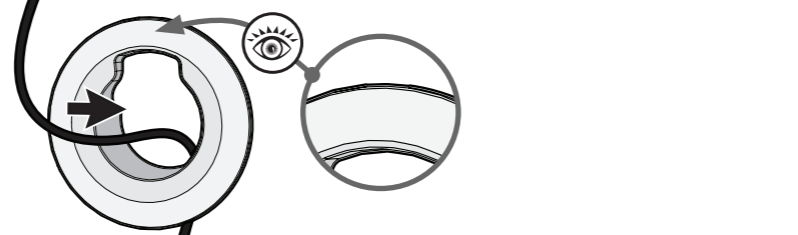
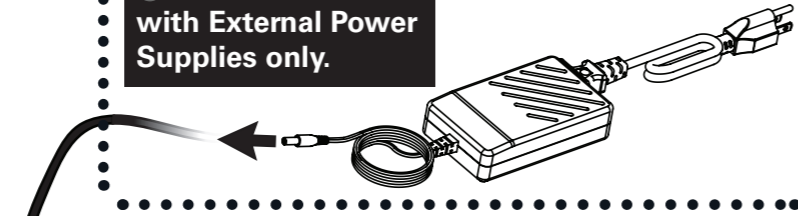


**DO NOT** over tighten screws

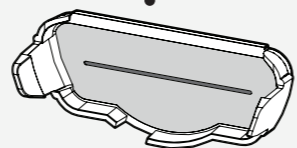
## STEP 3

### Route Low Voltage Cables

**For Soundbars with External Power Supplies only.**



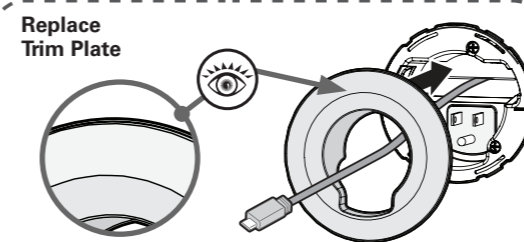
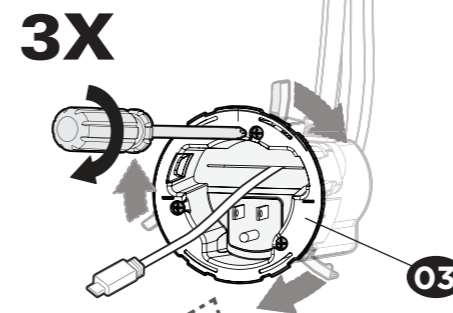
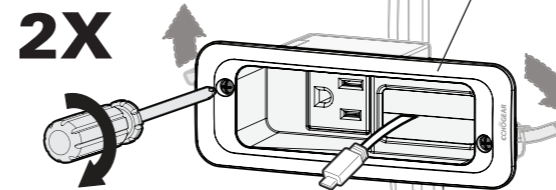
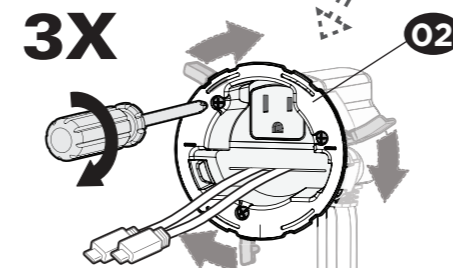
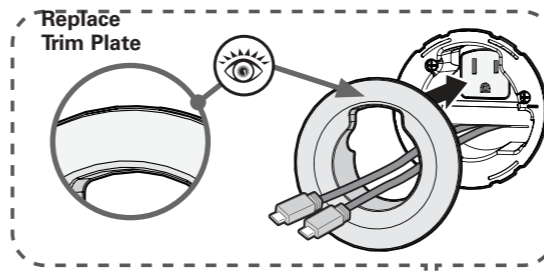
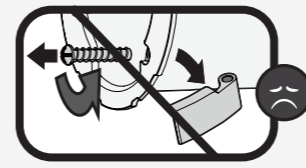
**NOTE:** The gaskets can be removed for larger cables.



## STEP 4

### Secure Modules

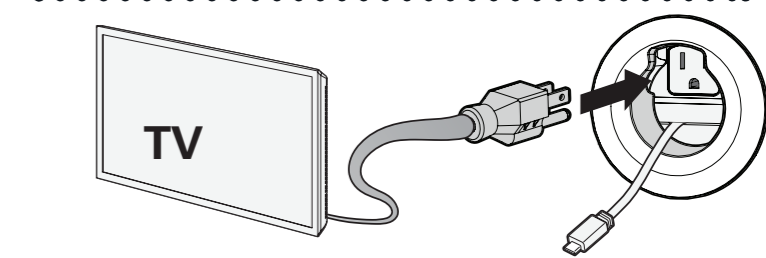
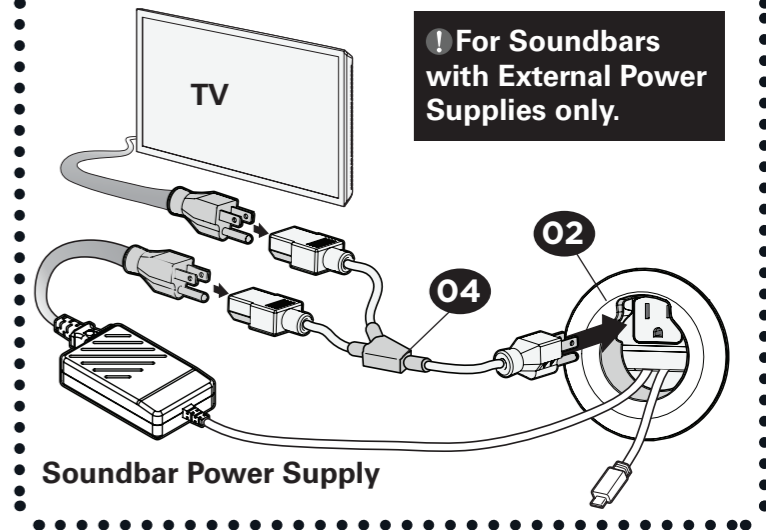
**DO NOT** loosen the screws



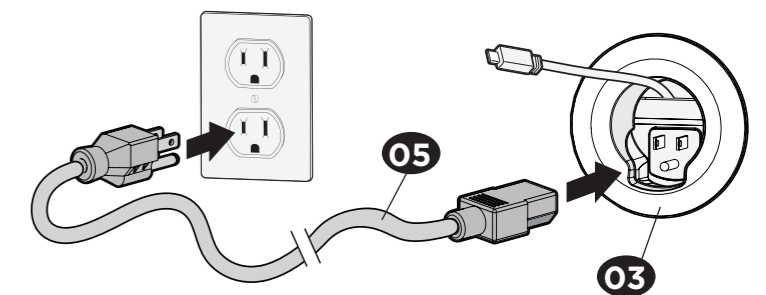
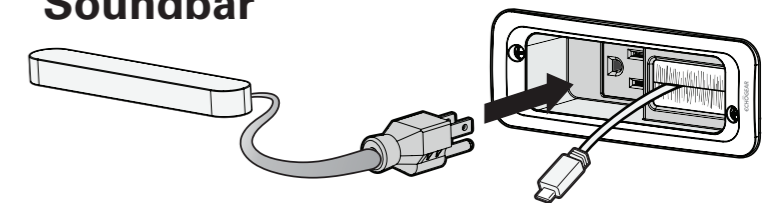
## STEP 5

### Power Up

**For Soundbars with External Power Supplies only.**



### Soundbar

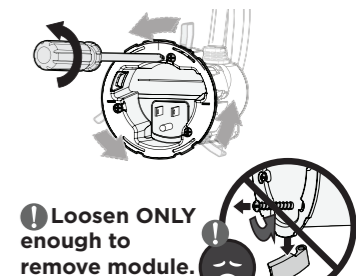
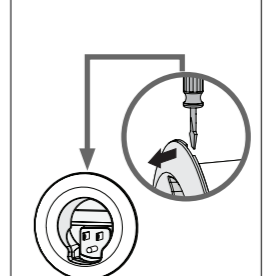
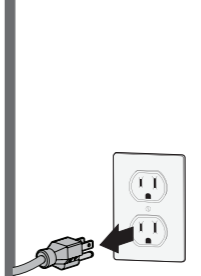


### Removal

**A** Unplug power

**B** Remove trim plates

**C** Turn screws to remove modules



**Loosen ONLY** enough to remove module.