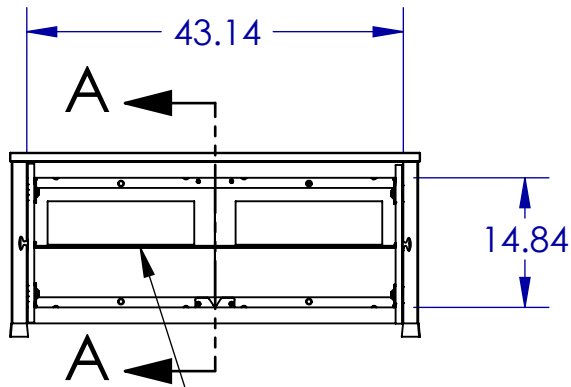
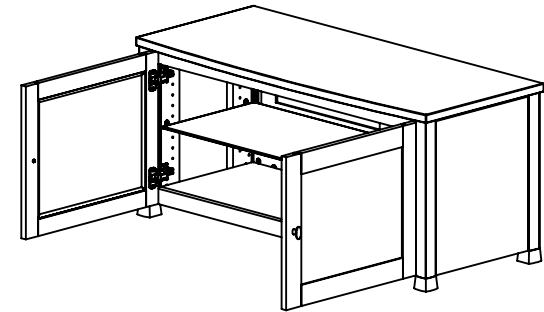
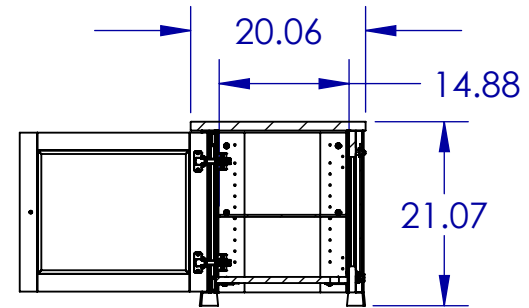


TOP SHELF CAPACITY
275LBS
MID SHELF CAPACITY
50LBS
BOTTOM SHELF CAPACITY
50LBS



1X ADJUSTABLE GLASS SHELF



SECTION A-A

	NAME	DATE	SANUS SYSTEMS
ENGINEER	JKV	1/9/2007	
DESIGNER		1/1/2001	
APPROVED		1/1/2001	
NOTES:			TITLE:
			CFV47
TEMPLATE REV.:	05		SHEET 1 OF 1

PROPRIETARY AND CONFIDENTIAL
THE INFORMATION CONTAINED IN THIS DRAWING IS THE SOLE PROPERTY OF SANUS SYSTEMS, A PRODUCT DIVISION OF MILESTONE AV TECHNOLOGIES. ANY REPRODUCTION IN PART OR AS A WHOLE WITHOUT THE WRITTEN PERMISSION OF SANUS SYSTEMS IS PROHIBITED.