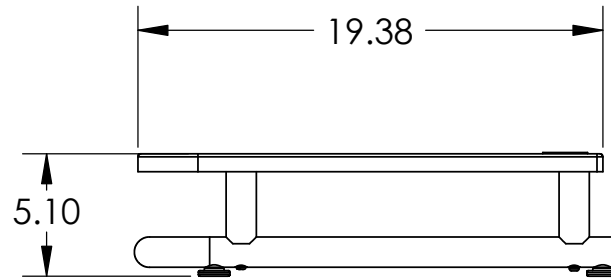
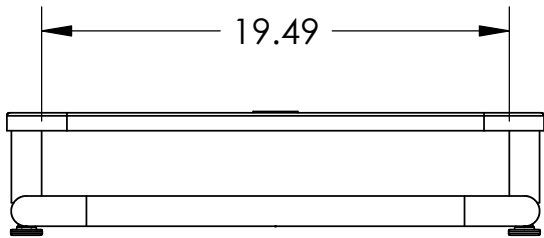
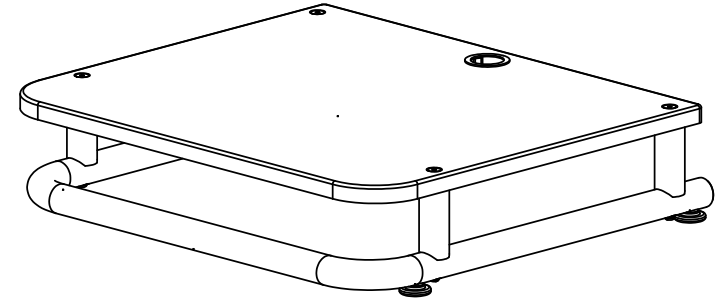


Maximum Shelf Capacity: 125lbs.



Accessories	Description
EFAS-II	Expansion Shelves
EFP5	5" High Pillars
EFP12	12" High Pillars
CK	Casters

	NAME	DATE	SANUS SYSTEMS	
DRAWN	NAS	10/11/05	TITLE: EFABII	
CHECKED				
ENG APPR.				
MFG APPR.				
Q.A.				
Euro Furniture			SCALE: 1:8	SHEET 1 OF 1

PROPRIETARY AND CONFIDENTIAL
 THE INFORMATION CONTAINED IN THIS DRAWING IS THE SOLE PROPERTY OF SANUS SYSTEMS. ANY REPRODUCTION IN PART OR AS A WHOLE WITHOUT THE WRITTEN PERMISSION OF SANUS SYSTEMS IS PROHIBITED.