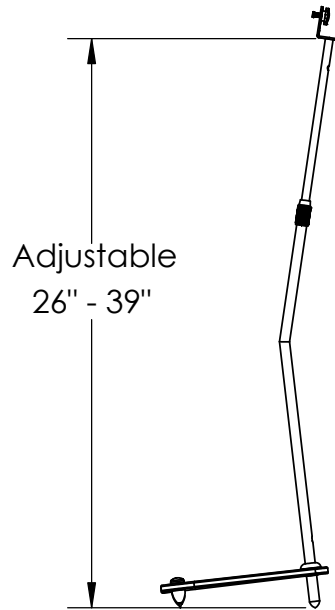
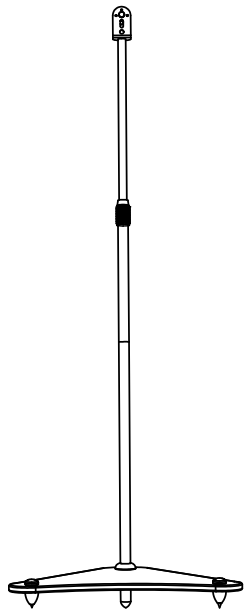


Maximum Speaker Capacity: 3.5lbs



3 optional speaker mounts



Adjustable  
26" - 39"

|                               | NAME | DATE    | SANUS SYSTEMS             |              |
|-------------------------------|------|---------|---------------------------|--------------|
| DRAWN                         | NAS  | 9/27/05 | TITLE:<br><br><b>HTB4</b> |              |
| CHECKED                       |      |         |                           |              |
| ENG APPR.                     |      |         |                           |              |
| MFG APPR.                     |      |         |                           |              |
| Q.A.                          |      |         |                           |              |
| <p><b>HTB Foundations</b></p> |      |         | SCALE: 1:12               | SHEET 1 OF 1 |

**PROPRIETARY AND CONFIDENTIAL**  
 THE INFORMATION CONTAINED IN THIS DRAWING IS THE SOLE PROPERTY OF SANUS SYSTEMS. ANY REPRODUCTION IN PART OR AS A WHOLE WITHOUT THE WRITTEN PERMISSION OF SANUS SYSTEMS IS PROHIBITED.