

SANUS | SYSTEMS

THE UNION OF FORM AND FUNCTION

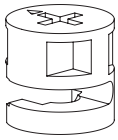
Assembly Instructions for Java Furniture: JFV65 & JFV75

Thank you for Choosing the Java Furniture Line from Sanus Systems. If you have any questions regarding this or any other Sanus Systems product, please contact us at 800.359.5520 or visit us at www.sanus.com. Our customer service representatives can assist you quickly with any issues regarding assembly or missing parts. Check carefully to make sure none of the parts are missing or defective. Never use defective parts. Replacement parts for products purchased from an authorized dealer will be shipped directly to you. Please call Sanus Systems before returning products to retail stores.

Required Tools: Phillips Screw Driver

Note: Check carefully to make sure you have all the hardware listed below.

Hardware: Hardware shown at actual size.



(18) Cam - a



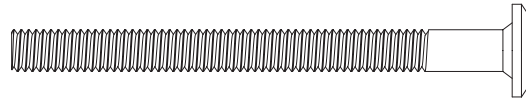
(18) Cam Pin - b



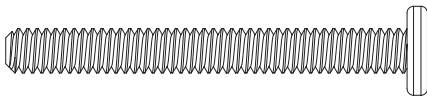
(26) Dowel - c



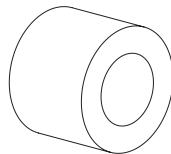
(4) Barrel Nut - d



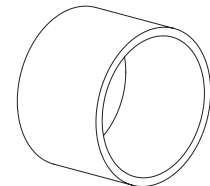
(4) Barrel Nut Bolt - e



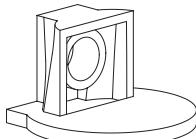
(8) M6 Bolt - f



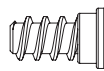
(8) Rubber Spacer - g



(8) Aluminum Spacer - h



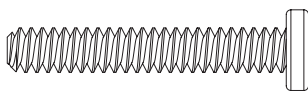
(12) Shelf Pin - i



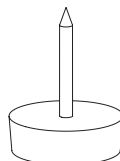
(12) Shelf Pin Screw - j



(8) Door Protectors - k



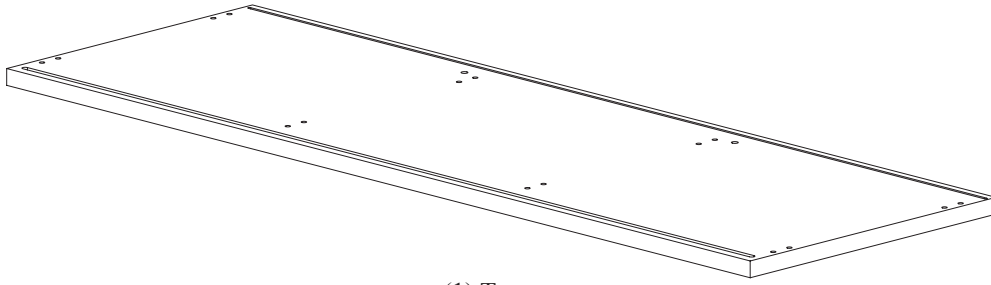
(8) Base Bolt - l



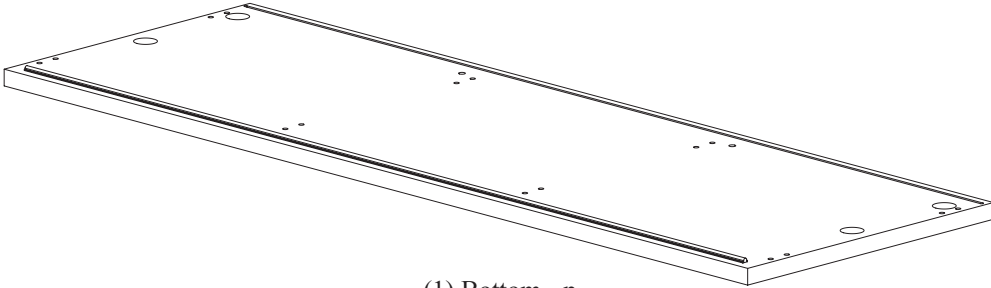
(10) Carpet Glide - m



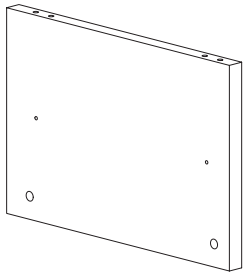
(1) Allen Key - n



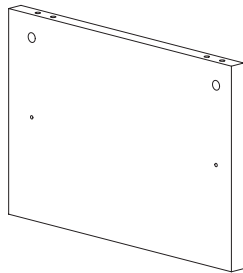
(1) Top - o



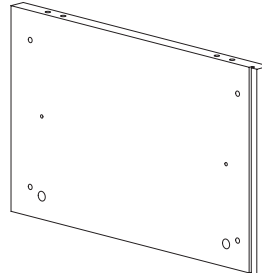
(1) Bottom - p



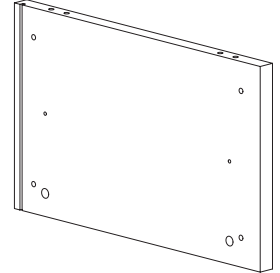
(1) Right Inside Panel - q



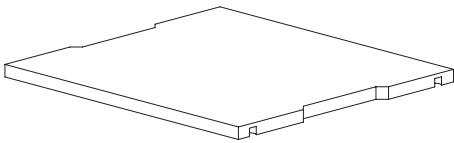
(1) Left Inside Panel - r



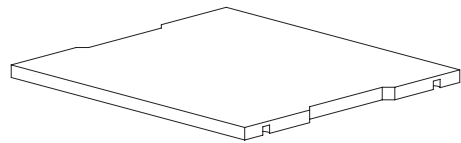
(1) Right Outside Panel - s



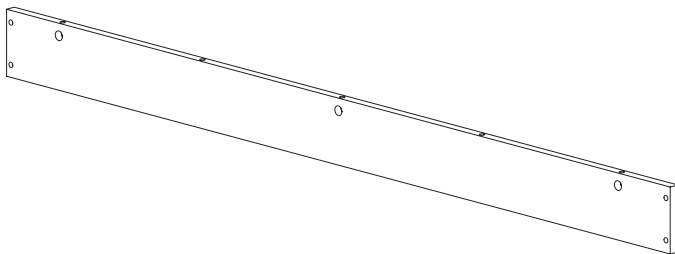
(1) Left Outside Panel - t



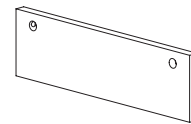
(2) Side Shelf - u



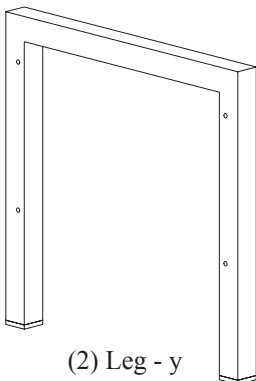
(1) Middle Shelf - v



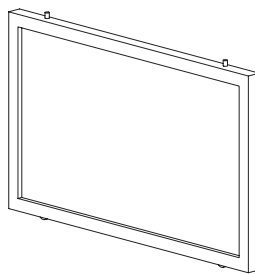
(2) Front Base Rail - w



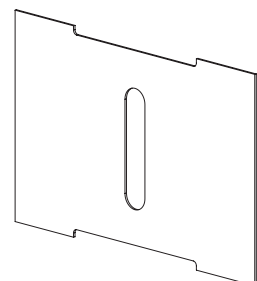
(2) Side Base Rail - x



(2) Leg - y



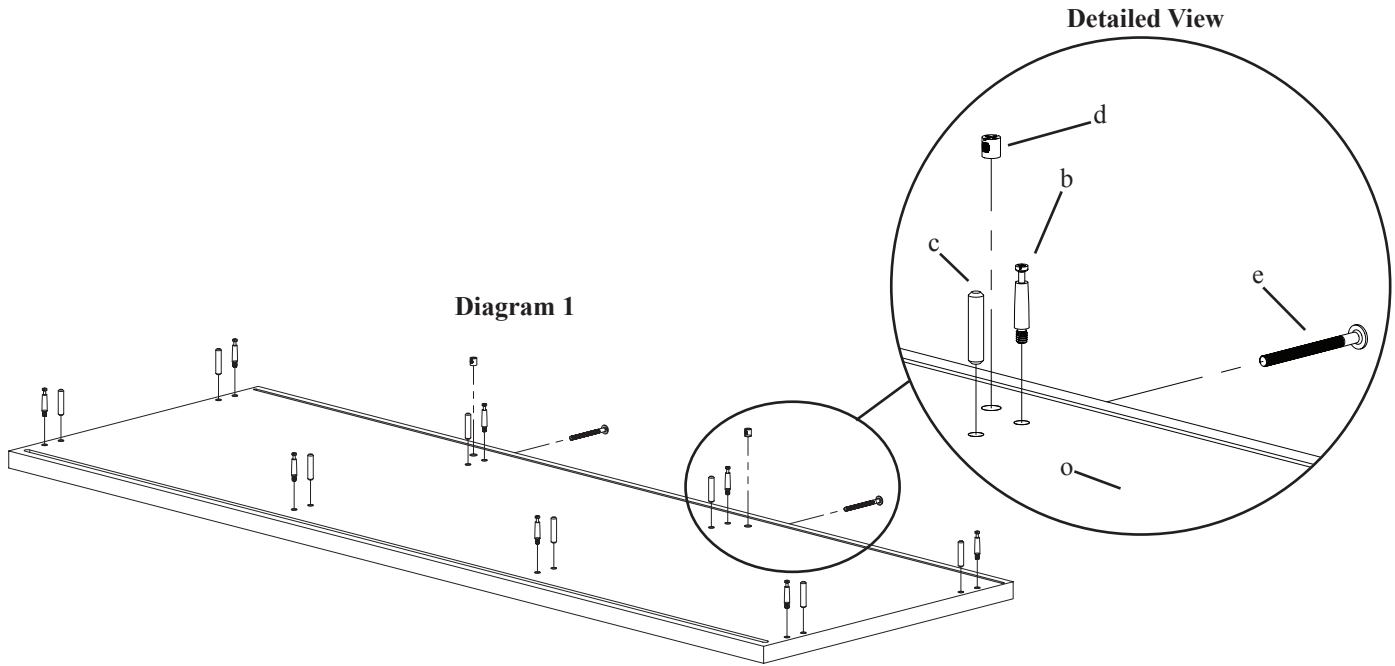
(2) Door - z



(3) Back Panel - aa

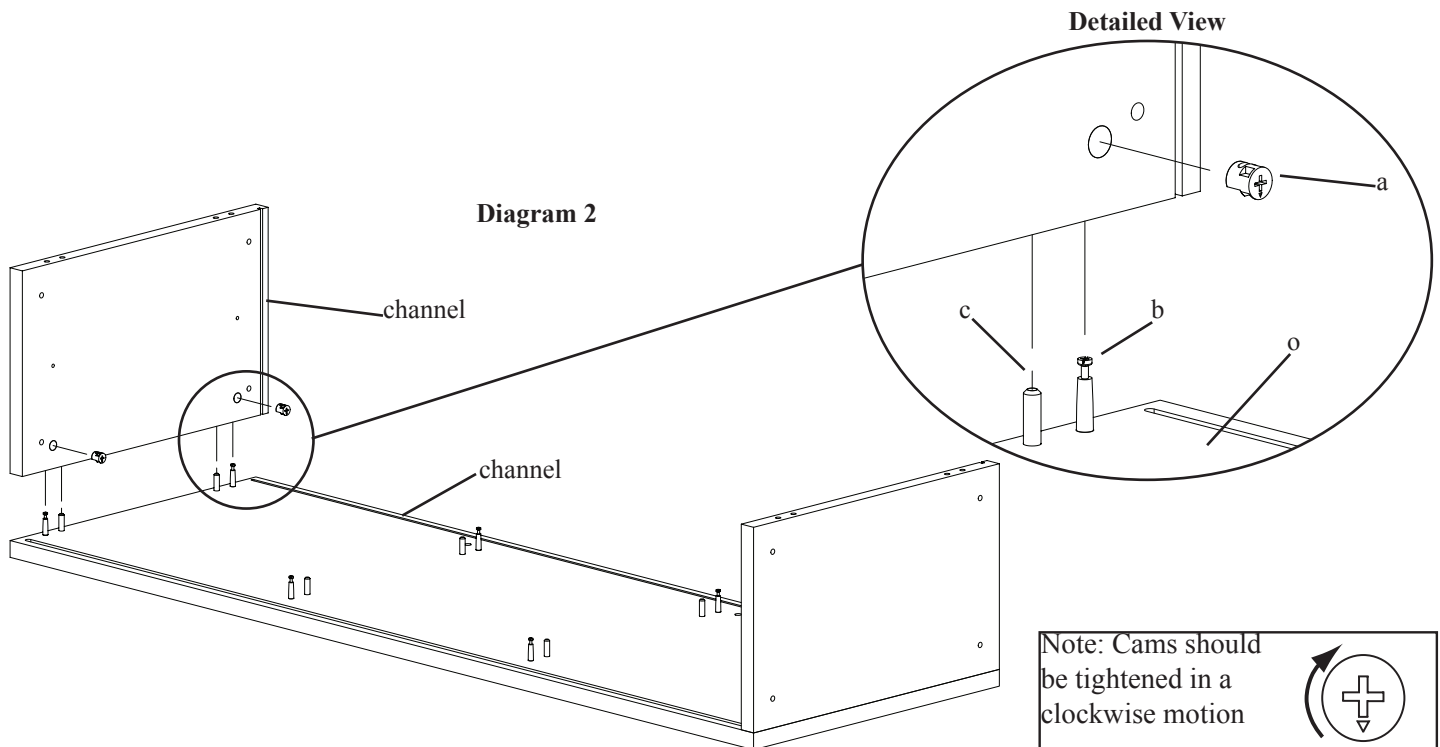
Step 1: Prepare the Top

Place the Top (o) upside down on a soft surface to lessen the chance of scratching. Insert 8 Cam Pins (b) and 8 Dowels (c) into the Top as seen in Diagram 1. Proceed to tighten each Cam Pin with a Phillips screw driver. Next, orient the Barrel Nut (d) so the hole in its side faces the hole in the back of the Top. Proceed to insert each Barrel Nut into the hole as shown in the Detailed View of Diagram 1. Then thread each Barrel Nut Bolt (e) into the hole on the back of the Top, as pictured in the Detailed View of Diagram 1. Tighten each Barrel Nut Bolt so they protrude a 1/4" from the Top.



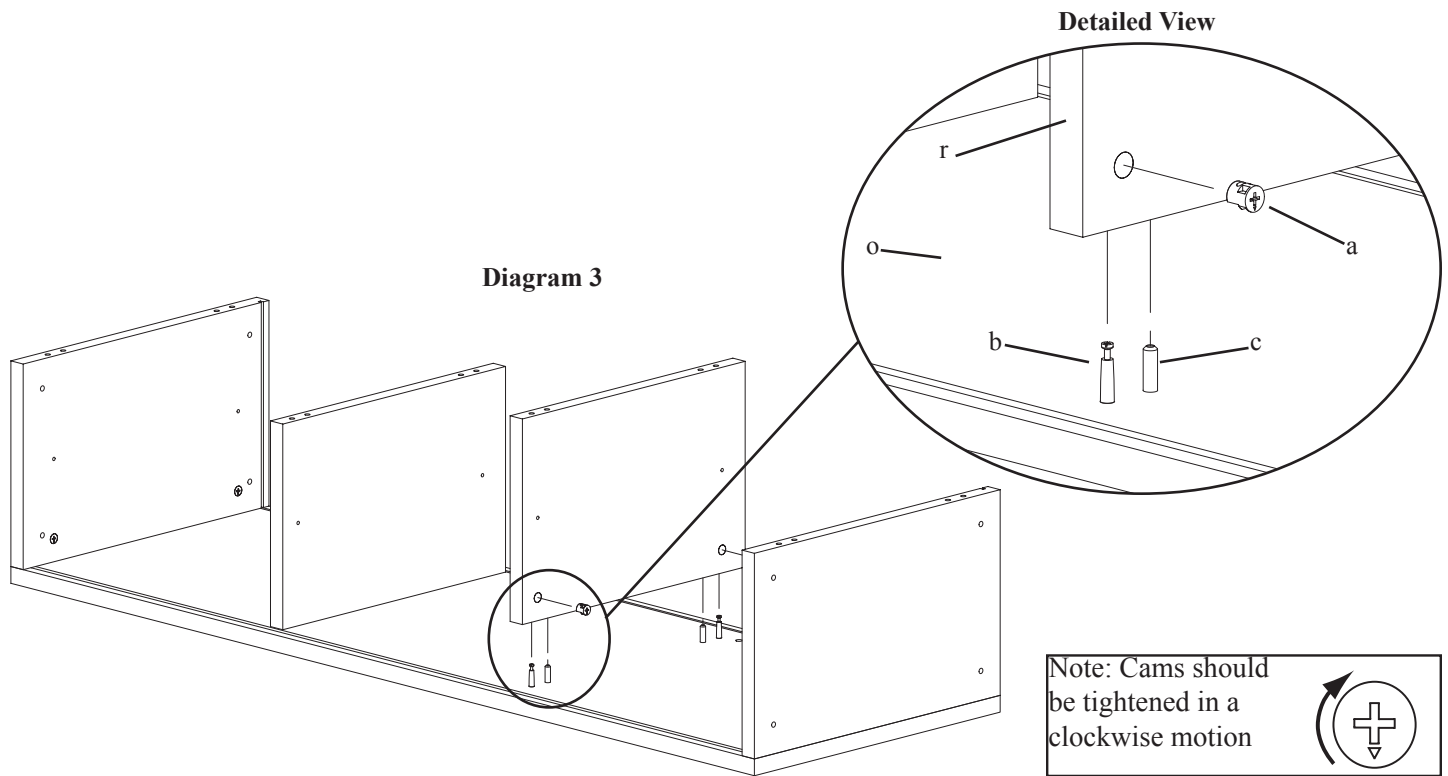
Step 2: Add Outside Panels

Place each Cam (a) into each Outside Panel (s,t) as shown in Diagram 2. Make sure the arrow on the Cam is pointing toward the hole on the outside as shown in Detailed View A. Place each Outside Panel on the Top (o), make sure Dowels (c) and Cam Pins (b) align with the correct holes. The Channel on the back of the Top should be lined up with the Channel in the Outside Panel. Proceed to tighten the Cams on each Outside Panel in a clockwise motion.



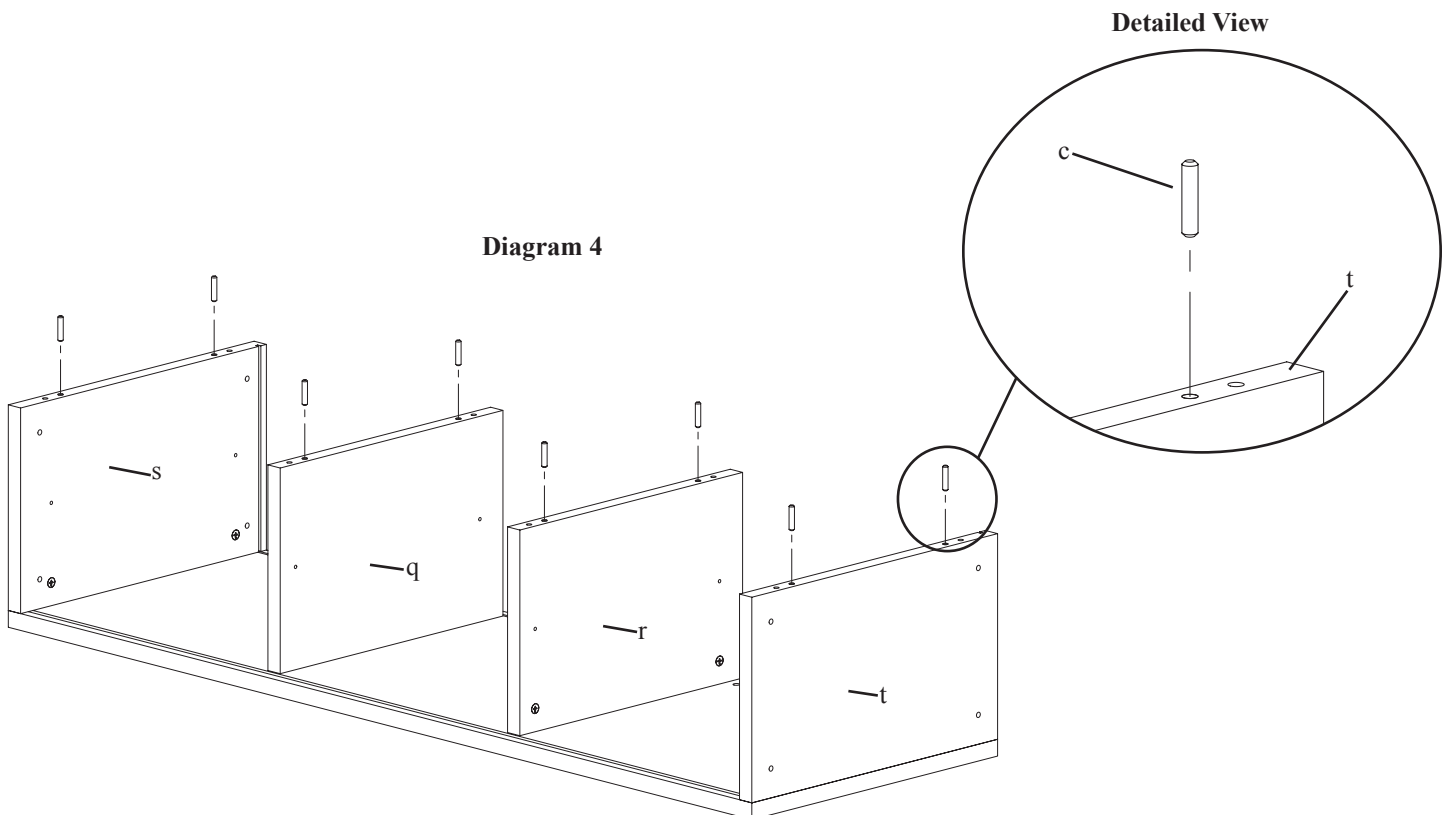
Step 3: Add Inside Panels

Insert each Cam (a) into each Inside Panel (q,r) in the same manner as you did in Step 2. Place the Inside Panel so that it fits over the Dowels (c) and Cam Pins (b) as shown in the Detailed View of Diagram 3. Make sure the Inside Panels do not block the Channel. The Cams on the Inside Panel should be facing the Outside Panels. Tighten each Cam on both Inside Panels.



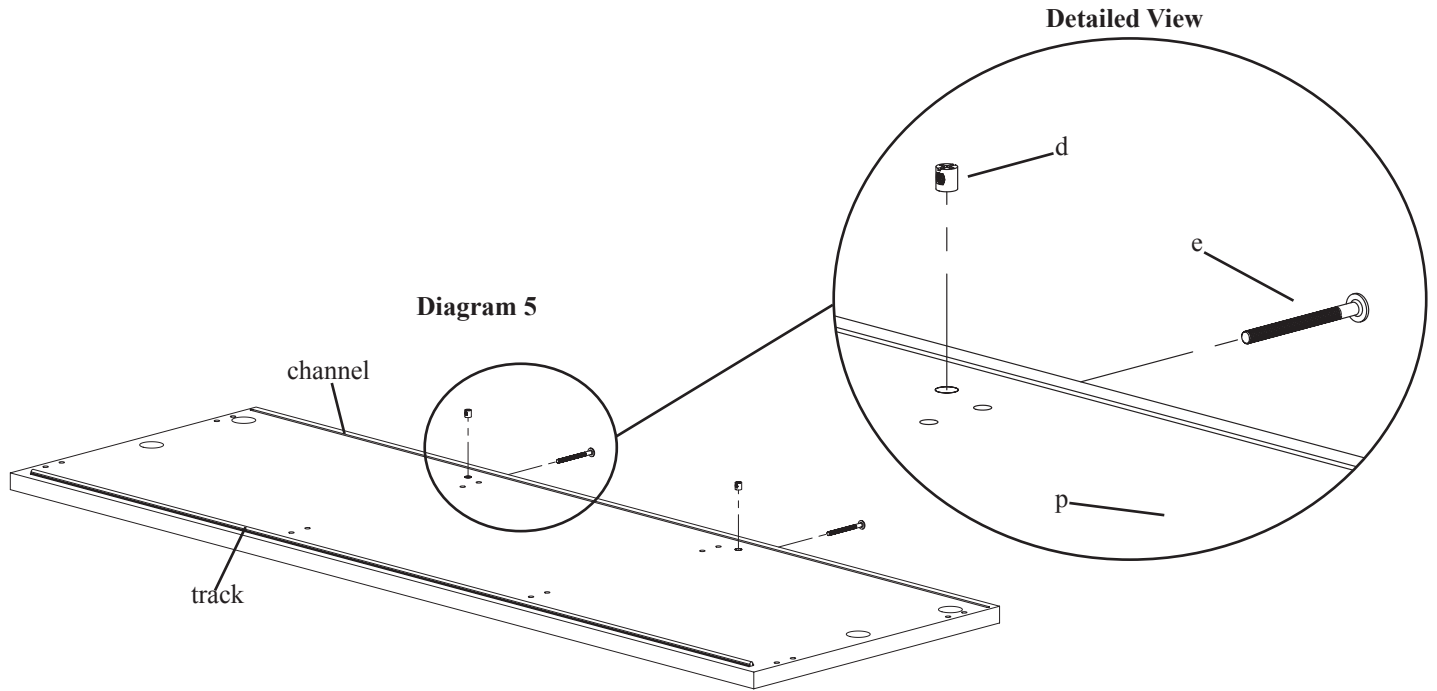
Step 4: Add Dowels

Insert 8 Dowels (c) into the top of Panels (q,r,s,t) as shown in the Detailed View of Diagram 4. Make sure they are inserted into the holes closest to the center.



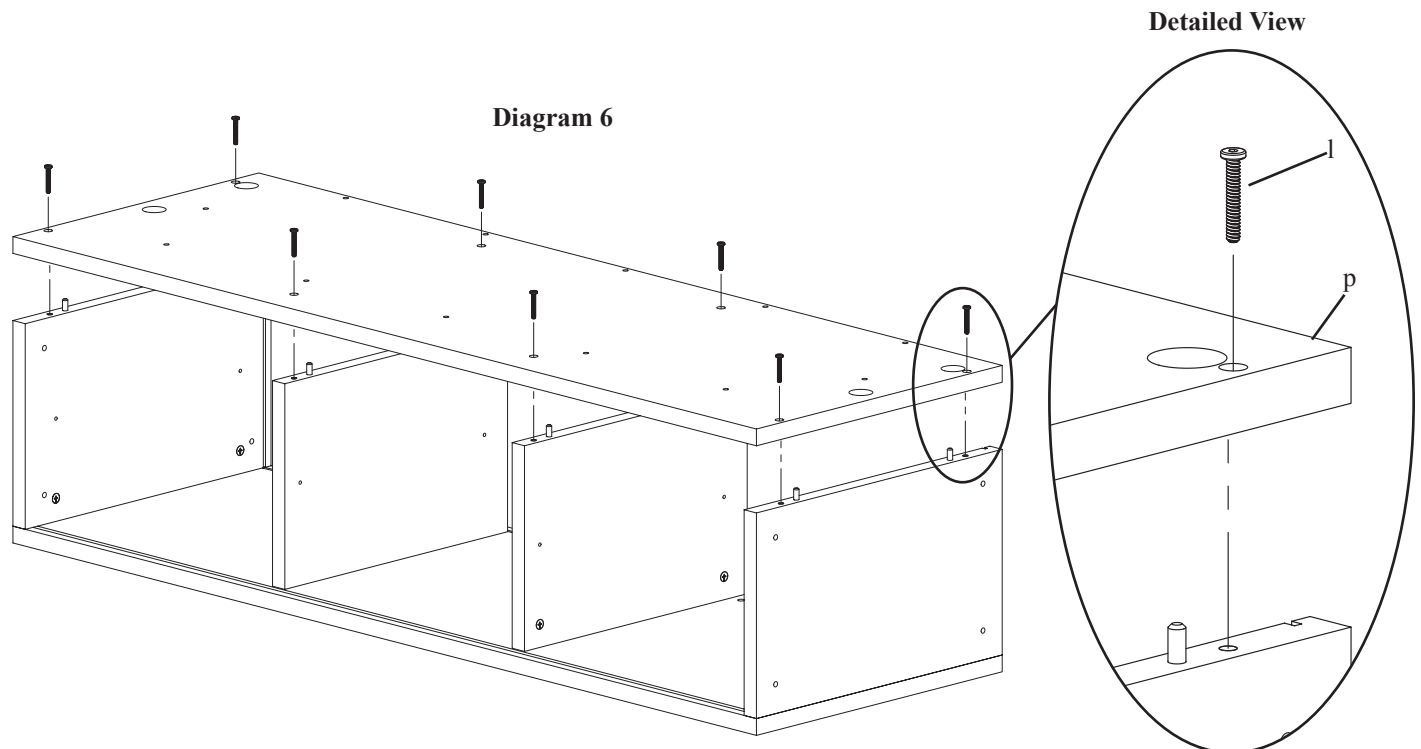
Step 5: Add Barrel Nut and Bolt

Place the Bottom (p), with track and channel facing up on a soft surface, which will help prevent scratching. Next, orient the Barrel Nut (d) so the hole in its side faces the hole in the back of the Top. Proceed to insert the Barrel Nut into the hole as shown in the Detail View of Diagram 5. Then thread the Barrel Nut Bolt (e) into the hole on the back of the Bottom, as pictured in Diagram 5. Tighten each Barrel Nut Bolt so that they protrude a 1/4" From the Top.



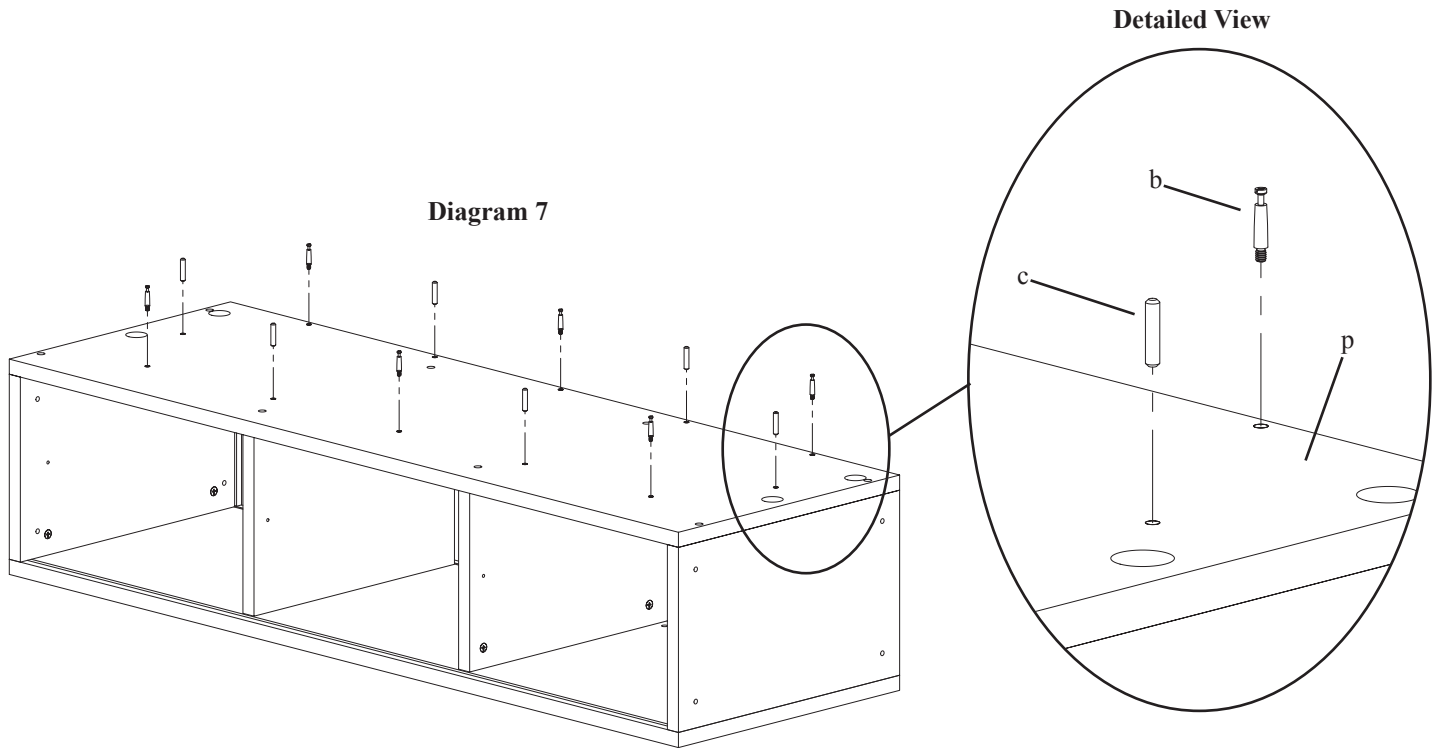
Step 6: Add Bottom

Flip the Bottom (p) so the track and channel are facing down. Align the bottom piece so it is resting on the Panels (q,r,s,t) with the 4 large holes toward the back as shown in Diagram 6. Insert a Base Bolt (l) through the Bottom and into the appropriate hole in the Panel. See the Detailed View of Diagram 6 for assistance.



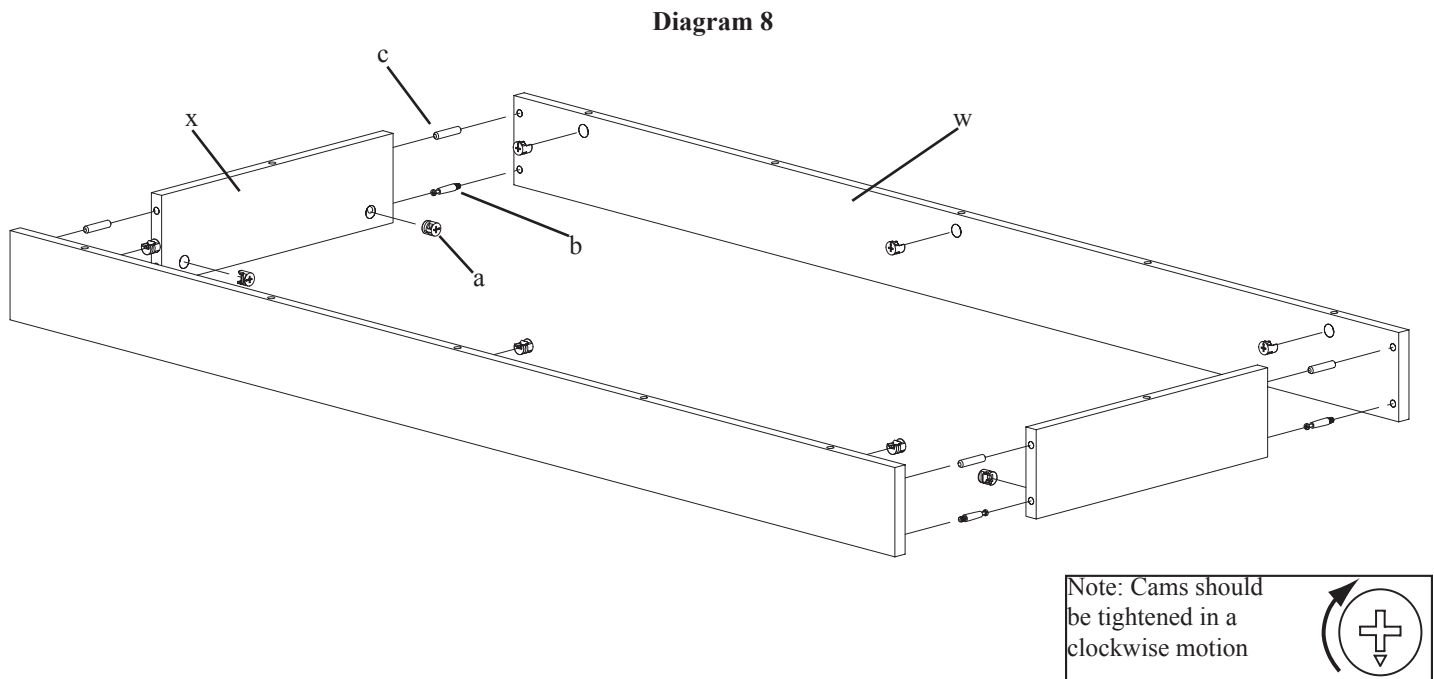
Step 7: Prepare Bottom

Insert 6 Cam Pins (b) and 6 Dowels (c) into the Bottom (p) as shown in the Detailed View of Diagram 7. Tighten all Cam Pins with a Phillips screw driver until they are tight.



Step 8: Assemble Base

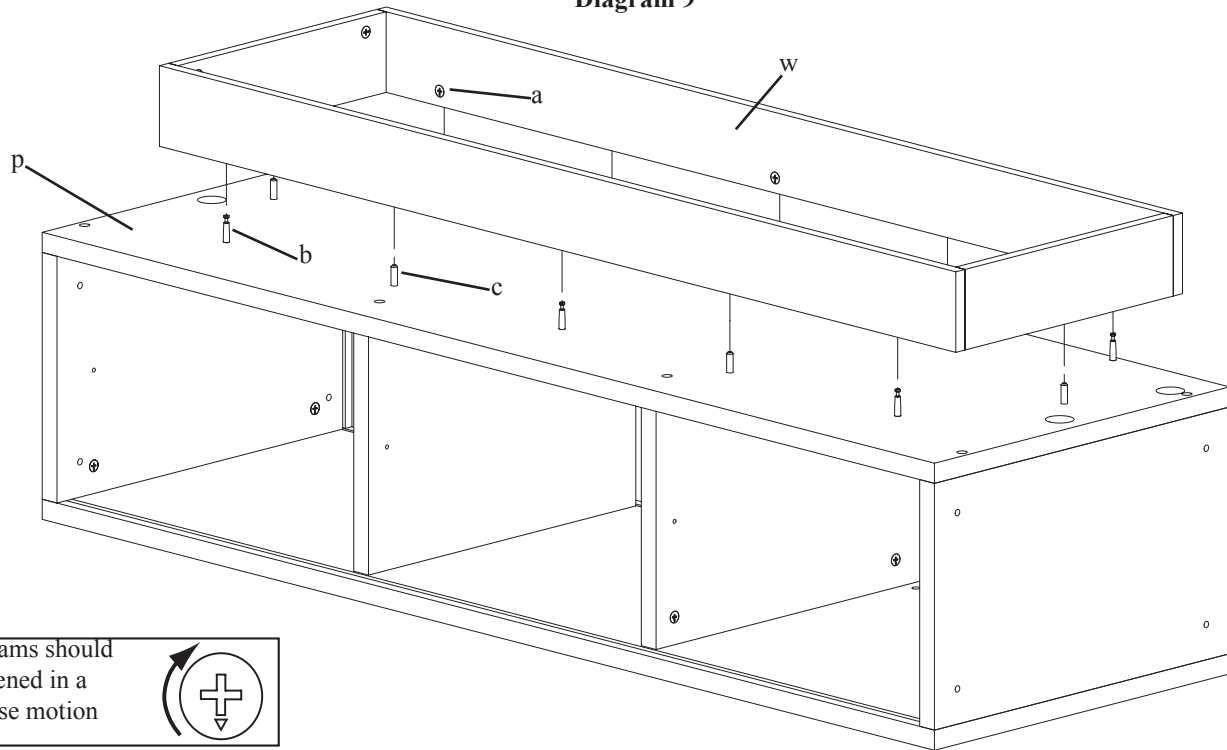
Insert 4 Cam Pins (b), 4 Dowels (c), and 10 Cams (a) as shown in Diagram 8. Tighten Cam Pins with a Phillips screw driver. Then, attach the Front Base Rails (w) to the Side Base Rails (x). Proceed to tighten the 4 Cams on the Side Rails. Once assembled, the rails should form a solid rectangle.



Step 9: Add Base Assembly to Bottom

Flip and align the assembled base frame so the holes in the assembled base frame line up with the Dowels (c) and Cam Pins (b) on the Bottom (p). Proceed to tighten all 6 of the Cams (a) on the Front Base Rails (w) that correspond with the Cam Pins on the Bottom so that the assembled base frame is secured to the Bottom.

Diagram 9



Step 10: Add Legs

To add the Legs (y) first slide the Rubber Spacer (g) so it fits into the Aluminum Spacer (h). Then take a M6 Bolt (f) and insert it through the Outside Panel (s,t), the Spacer Assembly and finally thread it into the Leg. See the Detailed View of Diagram 10 for assistance. Repeat this process for the remaining holes on the left and right leg. Tighten each M6 Bolt with the Allen Key (n) until tight.

Detailed View

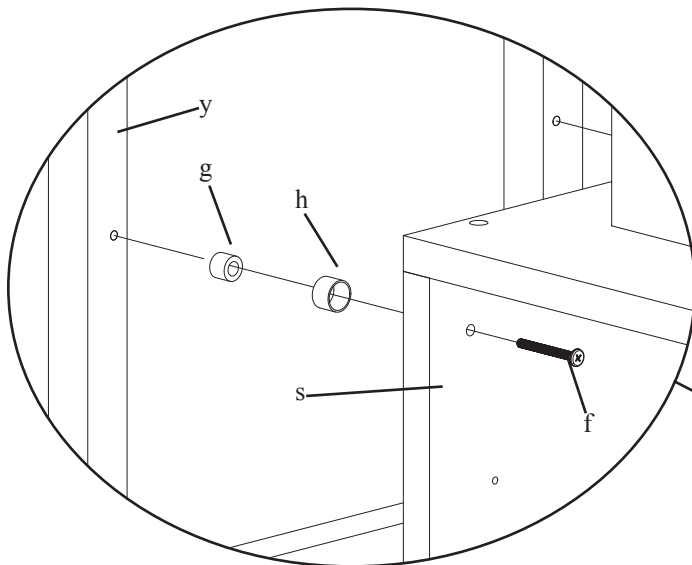
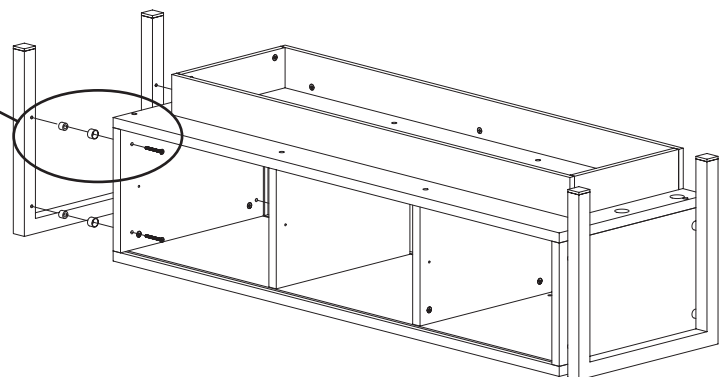
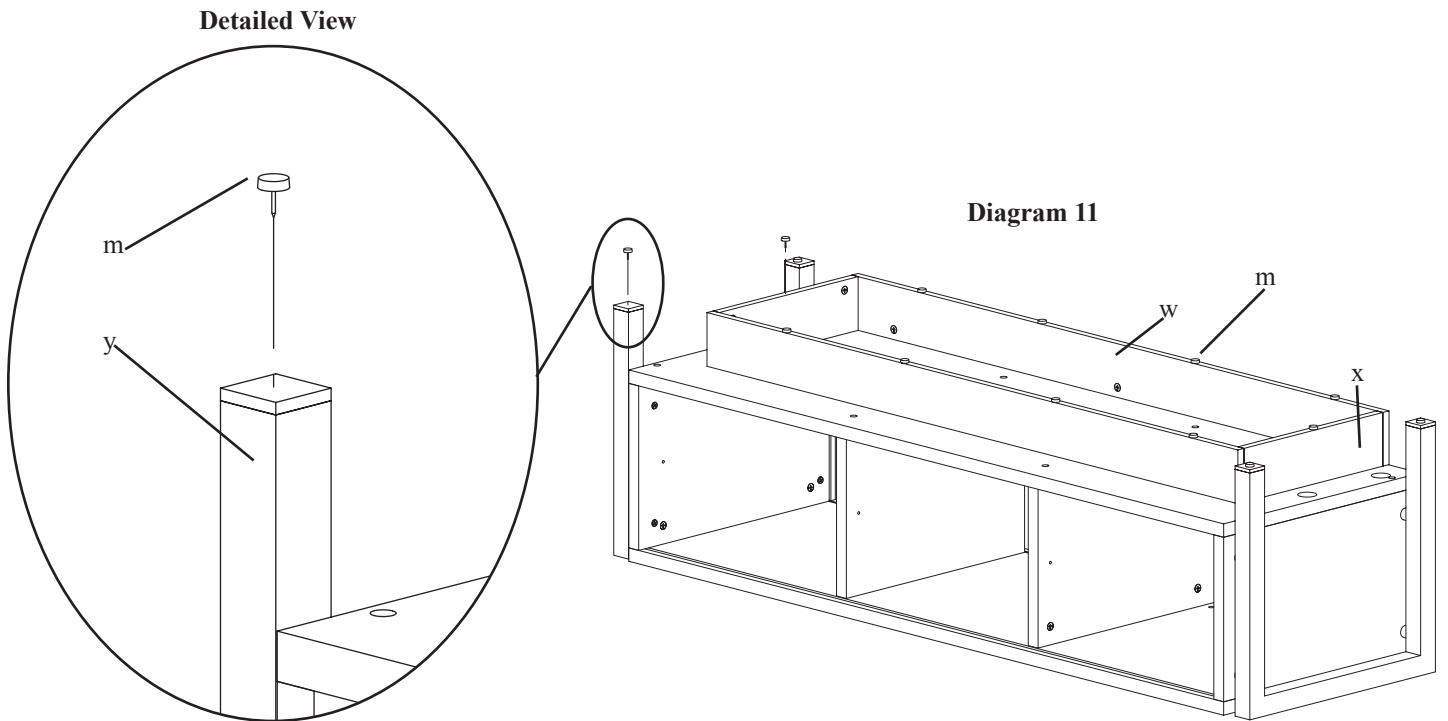


Diagram 10



Step 11: Add Carpet Glides

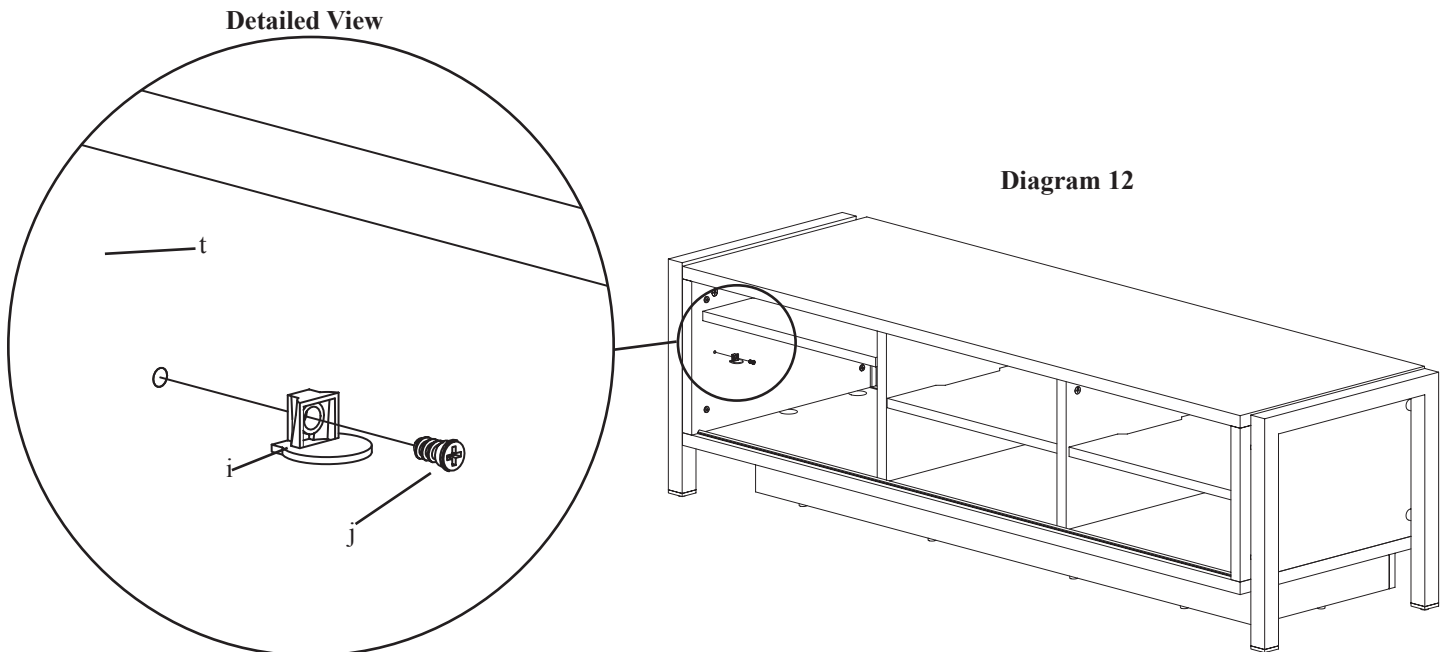
Gently tap a Carpet Glide (m) into each Leg (y), and into the locations shown in the Front Base Rails (w) and Side Base Rails (x). See the Detailed View of Diagram 11 for assistance.



Step 12: Add Shelves

Thread the Shelf Pin Screws (j) through the Shelf Pin (i) and into the panel as shown in the Detailed View of Diagram 12. Tighten Shelf Pin Screws with a Phillips screw driver. Repeat the process until all 12 of the shelf pins are in place. Place Shelves (u,v) in cabinet so they will fit on top of the Shelf Pins. Press down on Shelf firmly until it locks into place.

Note: The connectors on the Side Shelves (u) are closer to the front and back of the shelf than they are on the Middle Shelf (v). The two identical Shelves are the Outside Shelves.

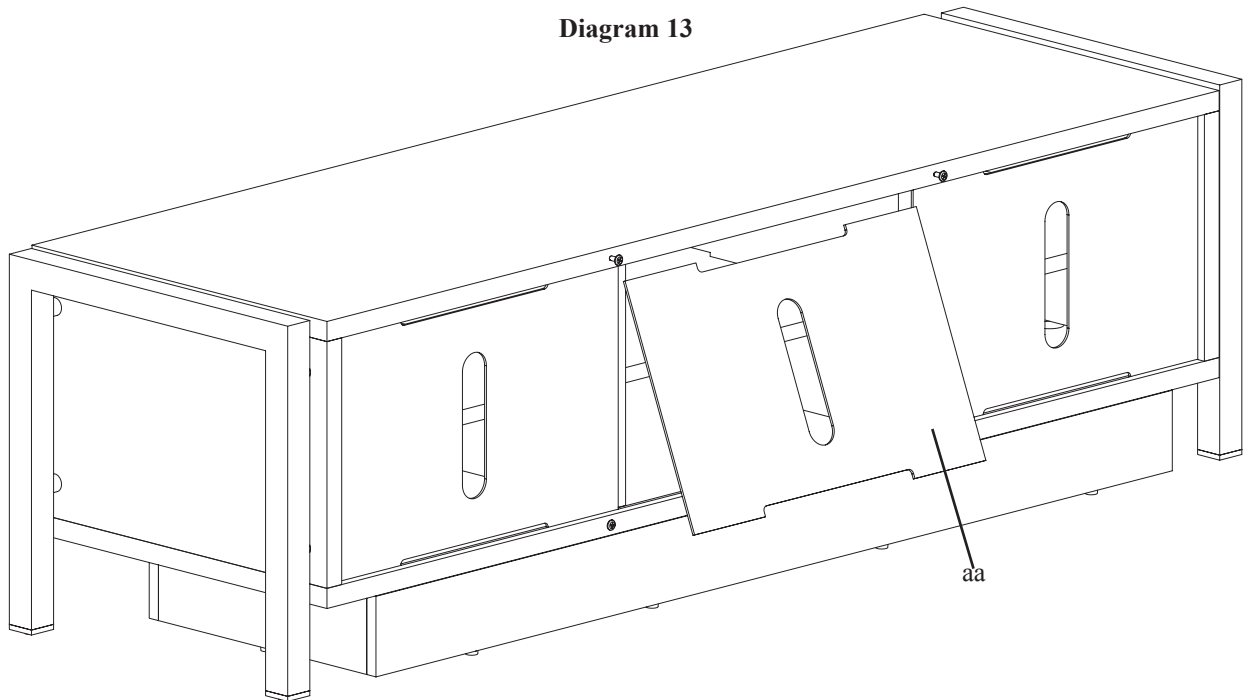


Step 13: Add Back Panels

Insert the Back Panel (aa) by lifting it up into the upper channel, and setting it down into the lower channel as shown in Diagram 13. After inserting the first Back Panel, slide it all the way to the left. After inserting the second Back Panel slide it all the way to the right. Then, insert the last Back Panel into the middle slot.

Note: The last Back Panel that is inserted should go in the middle. Insert the outer two first. Make sure the left and right Back Panel slide into the channel in the Outside Panels.

Diagram 13



Step 14: Add Doors

Add 2 Door Protectors (k) to each side of the door as shown in the detailed View of Diagram 14. Hold the Door (z) so the smooth side of the glass is facing out. Then, insert the Door so that the pegs on the top of the door are inserted into the Channel in the Top (o) and the bottom wheels fit on the Track on the Bottom (p) as shown in Diagram 14. The doors should slide easily on the track.

Detailed View

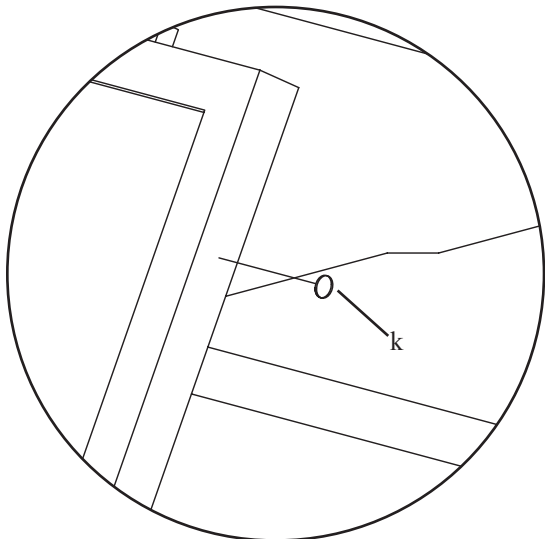
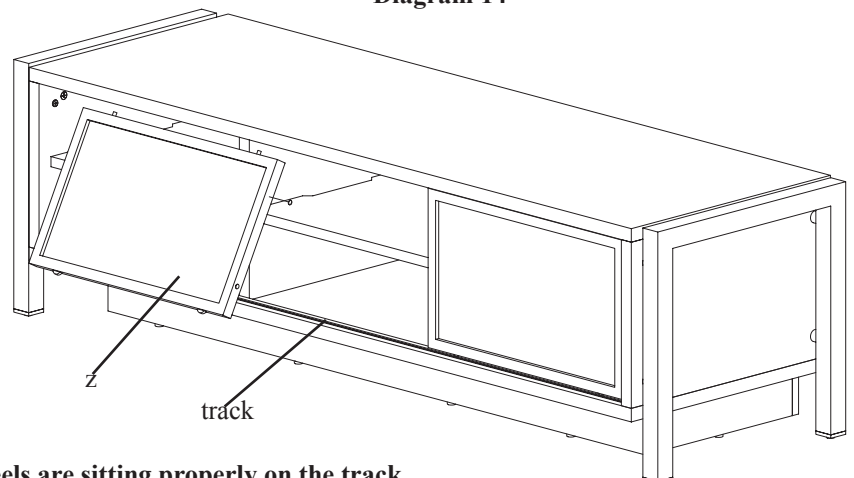


Diagram 14



Note: If Doors (z) do not slide easily, make sure wheels are sitting properly on the track.