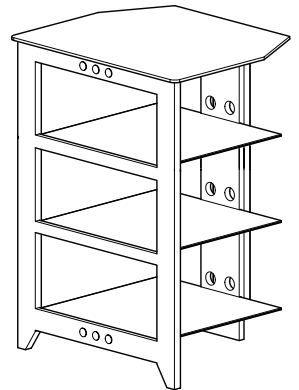


SANUS SYSTEMS

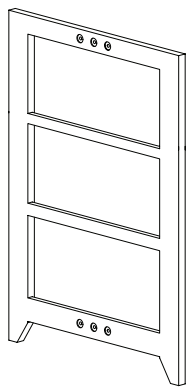
THE UNION OF FORM AND FUNCTION

Assembly Instructions for Natural Furniture, Model: NF204

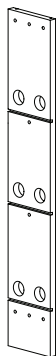
Thank you for choosing the Natural Furniture line from Sanus Systems. If you have any questions regarding this or any other Sanus Systems product, contact us at 800.359.5520 or visit us at www.sanus.com. Our customer service representatives will assist you with any issues regarding assembly or missing parts. Check to make sure none of the parts are missing or defective. Never use defective parts. Replacement parts for products purchased from an authorized dealer will be shipped directly to you. Please call Sanus Systems before returning products to retail stores.



Supplied Parts and Hardware: (Threaded are fasteners shown full size)



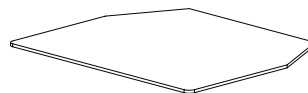
Front Frame - A
Qty. 1



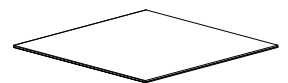
Rear Frame - B
Qty. 1



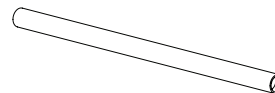
Plastic Wire Cover - C
Qty. 1



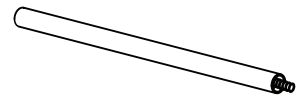
Glass Top Shelf - D
Qty. 1



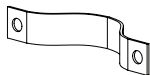
Glass Mid Shelf - E
Qty. 3



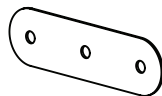
Cross Tube - F
Qty. 6



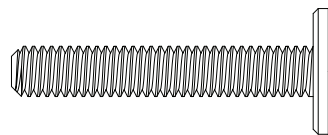
Cross Tube W/ Stud - G
Qty. 2



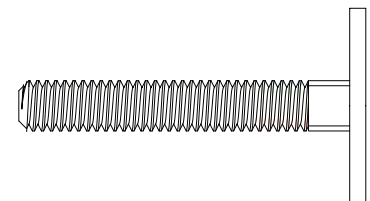
Wire Strap - H
Qty. 2



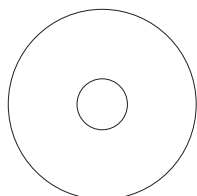
Three Hole Plate - I
Qty. 4



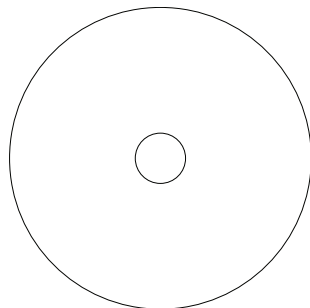
Allen Bolt - J
Qty. 8



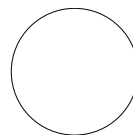
Decorative Face Bolt - K
Qty. 6



1 in. Washer - L
Qty. 4



1.5 in. Washer - M
Qty. 4



Glass Protector - N
Qty. 4



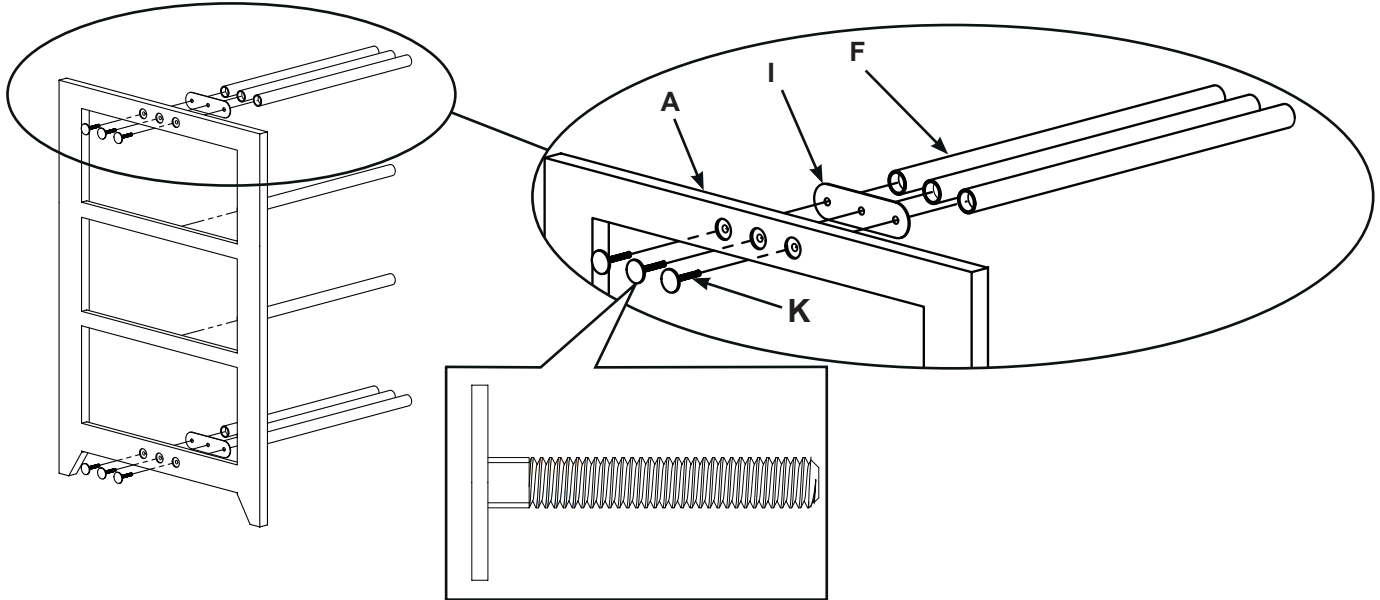
Allen Key - O
Qty. 1

Step 1: Attach Cross Tubes to Front Frame

NOTE: For ease of assembly, lay the Front Frame face down on a soft flat surface after inserting the six Decorative Face Bolts.

Insert six Decorative Face Bolts (K) through the Front Frame (A). Slide a Three Hole Plate (I) over the Decorative Face Bolts; then, screw a Cross Tube (F) onto each Decorative Face Bolt. Firmly hand tighten each Cross Tube.

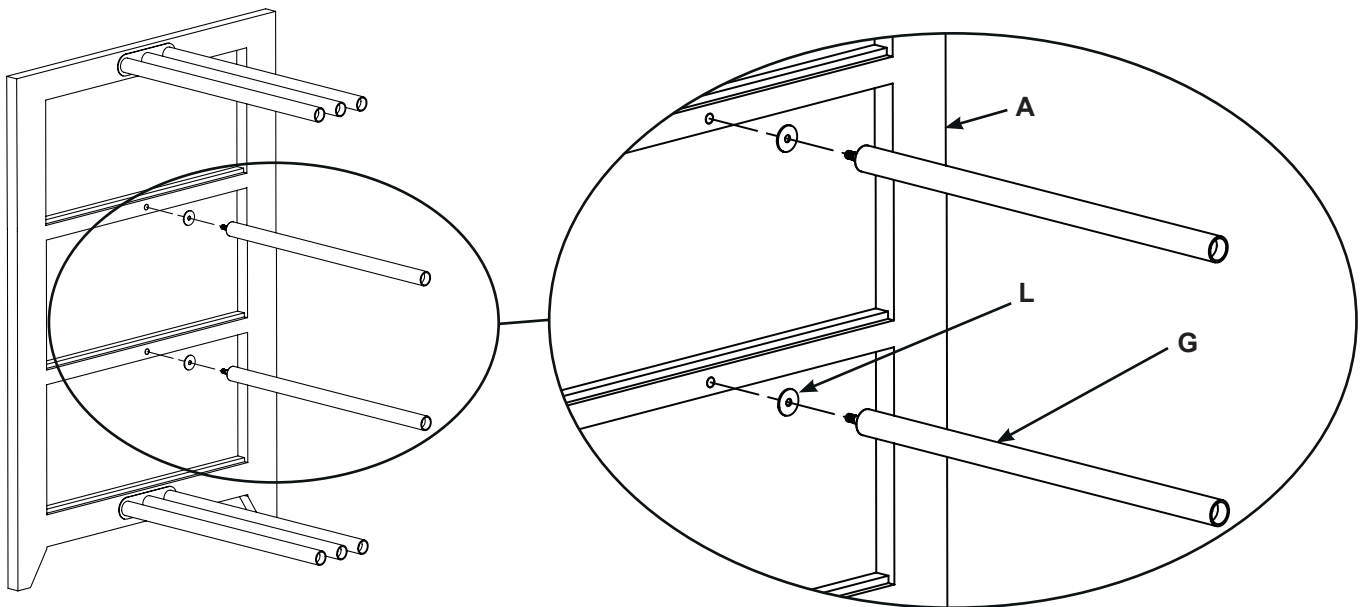
Diagram 1



Step 2: Attach Cross Tubes W/Stud to Front Frame

Place a 1" Washer (L) on the threaded stud of each Cross tube W/Stud (G) and screw them into the Front Frame (A). Firmly hand tighten each Cross Tube W/Stud.

Diagram 2



Step 3: Attach Rear Frame to Front Frame and Cross Tubes

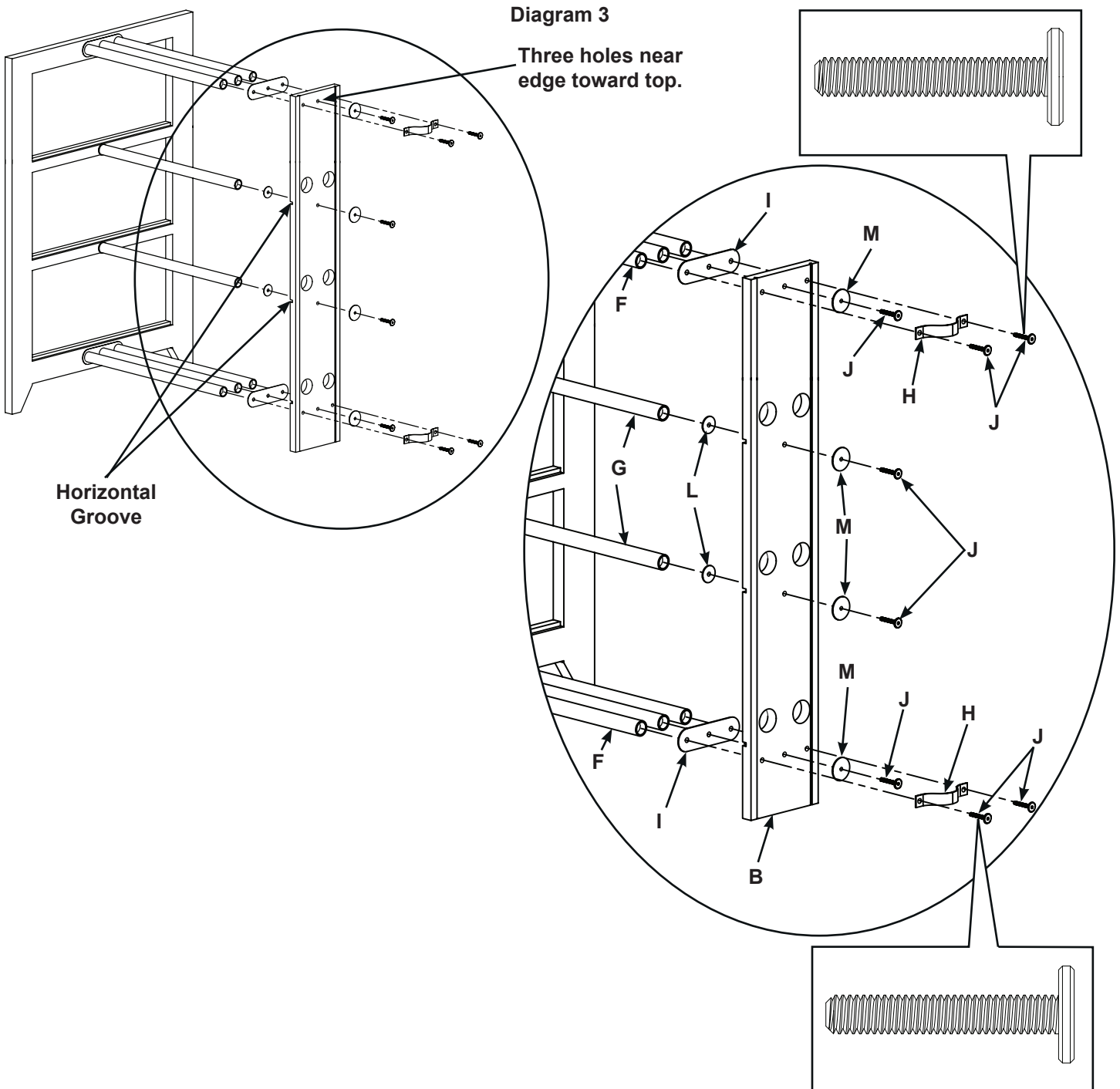
With The Cross Tubes (F,G) still facing up, and the Front Frame (A) still on a soft, flat surface, place a 1" Washer (L) on each Cross tube W/Stud (G) and a Three Hole Plate (I) on the remaining Cross Tubes (F).

NOTE: Horizontal grooves in the Rear Frame must be facing the Front Frame and the three holes closest to the edge of the Rear Frame must be aligned toward the top of the Front Frame.

Align the holes in the Rear Frame (B) with the holes in the Cross Tubes; then, using a 1.5" Washer (M) and Allen Bolt (J), secure the Rear Frame to the Cross Tubes (F) using the Allen Key (O).

Using 1.5" Washer (M) and Allen Bolt (J), secure the Rear Frames to the two center Cross Tubes W/Studs (G) using the Allen Key (O).

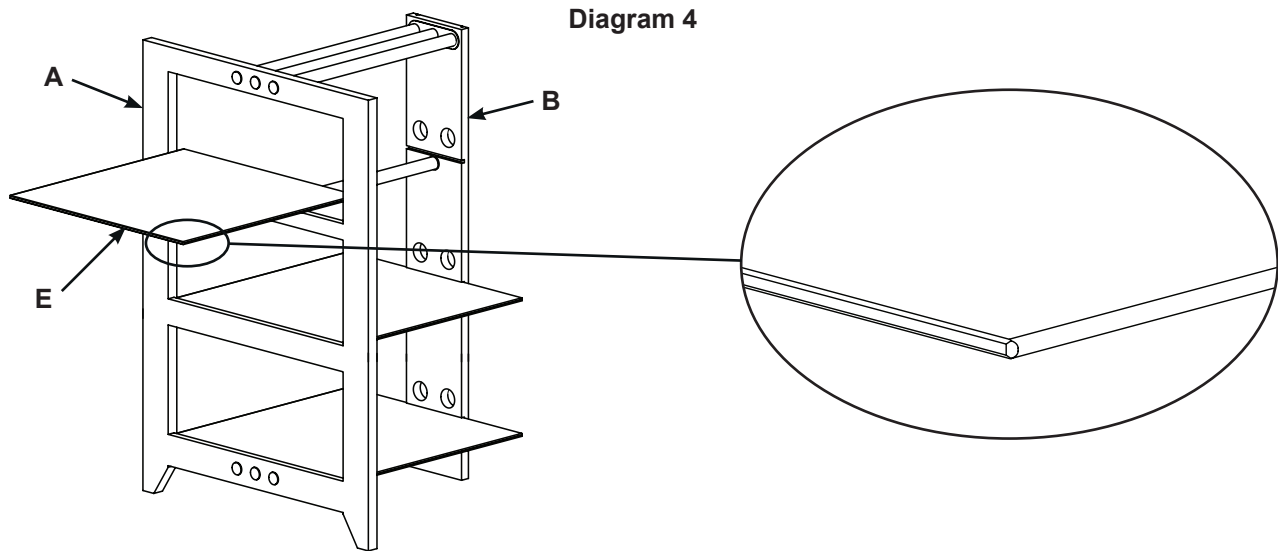
Using Allen Bolts (J) and Allen Key (O), secure the two Wire Straps (H) to the Rear Frame.



Step 4: Glass Mid Shelf Installation

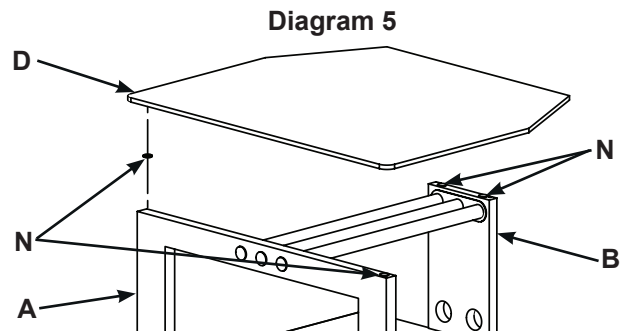
NOTE: Make sure the round edges of the Glass Shelves are to the sides and the flat edge fits into the groove in the Front and Rear Frame.

Slide each Glass Mid Shelf (E) through the front of the Front Frame (A) until it is fully into the groove in the Rear Frame (B); then, lower it onto the ledge on the back side of the Front Frame.



Step 5: Glass Top Shelf Installation

Place two Glass Protectors (N) in each corner of the top of the Front Frame (A) and two on the Rear Frame (B); then place the Top Glass Shelf (D) on the Glass Protectors on the Front and Rear Frames.



Step 6: Plastic Wire Cover Installation

After the desired components have been placed on the Glass Shelves (D & E) and the cables routed through the Wire Straps (H), install the Plastic Wire Cover (C) by inserting one side into a groove in the back of the Rear Frame (B); then, snapping the other side of the Plastic Wire Cover into the groove on the other side of the Rear Frame as shown in the Top View.

