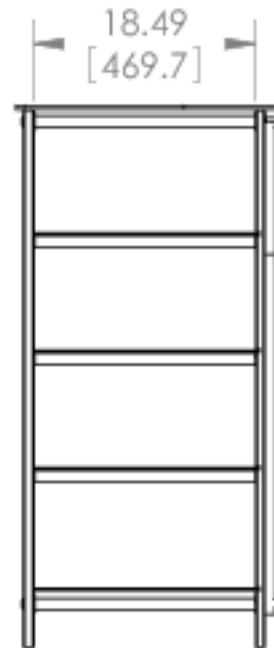
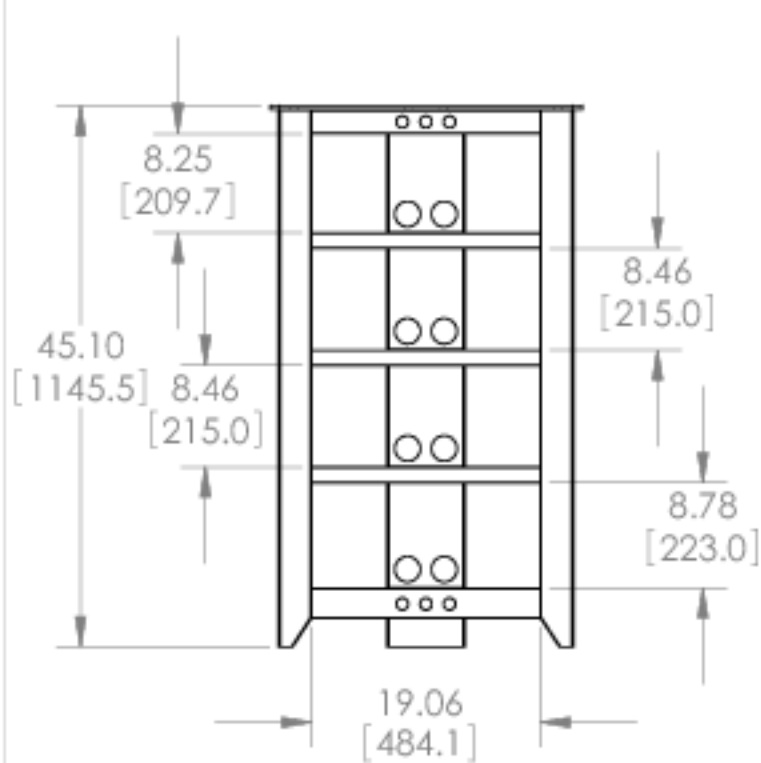
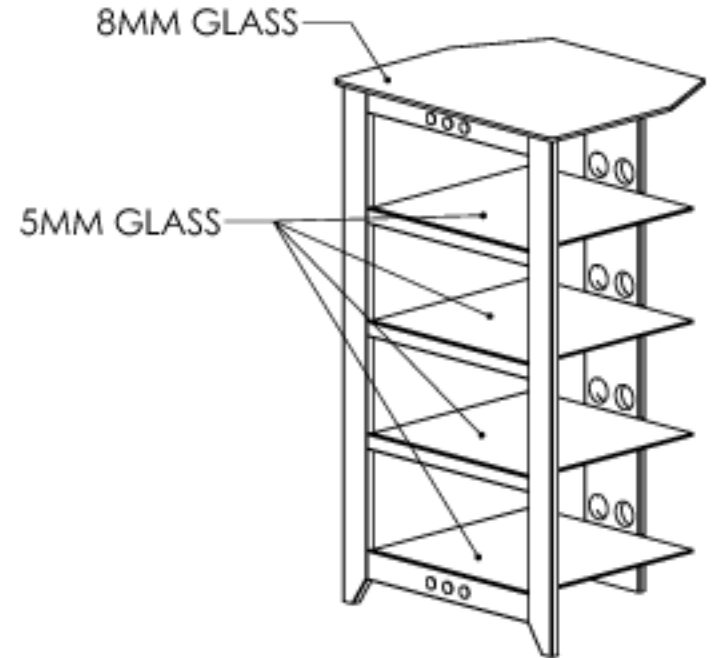


TOPSHELF CAPACITY  
60 LBS  
MID SHELF CAPACITY  
50 LBS  
BOTTOM SHELF CAPACITY  
70 LBS



**PROPRIETARY AND CONFIDENTIAL**  
THE INFORMATION CONTAINED IN THIS DRAWING IS THE SOLE PROPERTY OF SANUS SYSTEMS, A PRODUCT DIVISION OF  
REPRODUCTION IN PART OR AS A WHOLE WITHOUT THE WRITTEN PERMISSION OF SANUS SYSTEMS IS PROHIBITED.

	NAME	DATE	<b>SANUS SYSTEMS</b>
ENGINEER	JKV	12/11/07	
DESIGNER			
APPROVED			TITLE: <b>NFA245</b>
NOTES:			
TEMPLATE REV.: 05			SHEET 1 OF 1