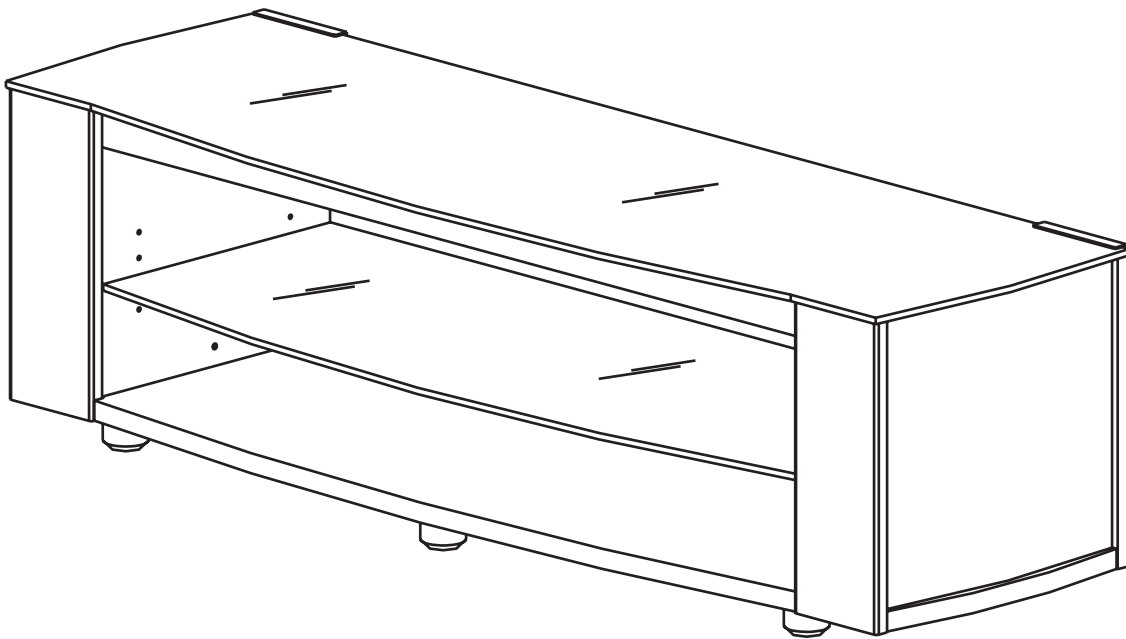


# PLATINUM FURNITURE

## MODEL PFV59s - *Digital TV Stand*

### Assembly Instructions



**BUS5306**

Congratulations and thank you for purchasing your new Sanus Platinum Furniture Product. If you have any questions regarding this or any other Sanus product, please contact our customer service department at (800)359-5520, or [www.sanus.com](http://www.sanus.com). It is not necessary to contact the retailer with any questions or problems, as parts can be sent directly to you

Please follow these assembly instructions. This will save you time, make assembly easier and prevent possible damage to your new Digital TV Stand. Assistance may be required for some assembly procedures. Correct assembly is your responsibility.

We recommend that the unit is assembled on a soft surface such as carpet. Please record your serial number in the space provided below and retain this manual for future reference.

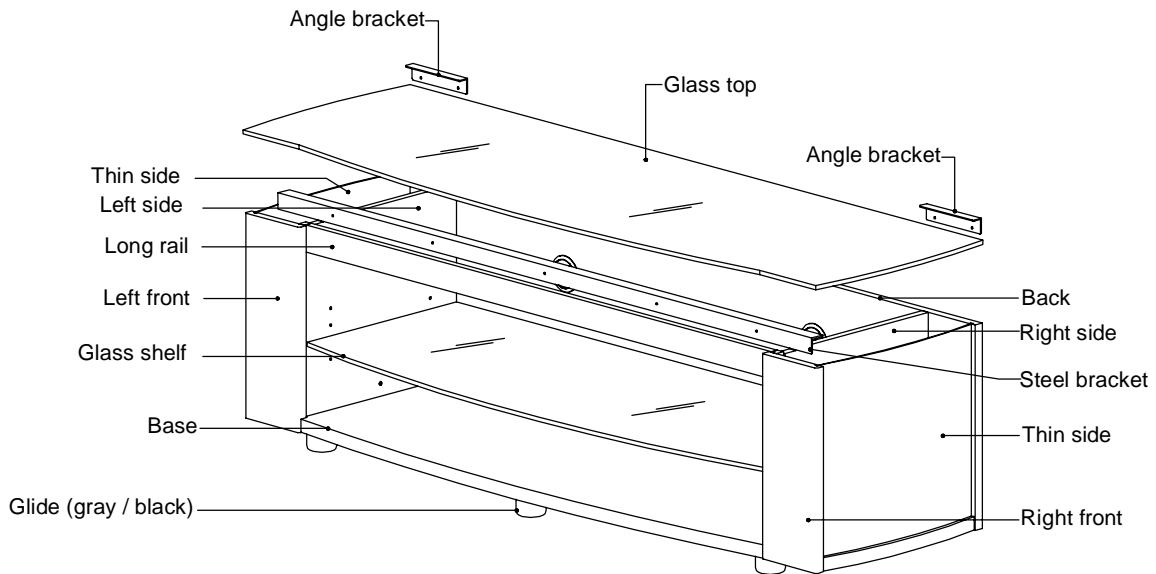
#### **Serial No**

This unit was manufactured using ISO 9000 certified systems. For improvement purposes, design and specifications are subject to change without notice.

**SANUS** | SYSTEMS

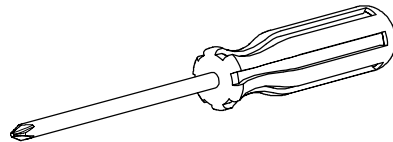
THE UNION OF FORM AND FUNCTION

# UNPACK AND IDENTIFY PARTS



| <u>PART DESCRIPTION:</u> | <u>QTY</u> | <u>PART NUMBER</u> |
|--------------------------|------------|--------------------|
| Base                     | 1          | M20205A1PO         |
| Left side                | 1          | M20206A1ZS         |
| Right side               | 1          | M20207A1ZS         |
| Thin side                | 2          | M20208A1ZS         |
| Right front              | 1          | M20209A1ZS         |
| Left front               | 1          | M20210A1ZS         |
| Long rail                | 1          | M20211A1ZS         |
| Back                     | 1          | M20212A1PO         |
| Glass top                | 1          | M20213A1PO         |
| Glass shelf              | 1          | M20214A1PO         |
| Steel bracket            | 1          | P816190            |
| Angle bracket            | 2          | P816191A           |
| Cable duct               | 4          | P840200            |
| Gray glide               | 3          | P815034A           |
| Black glide              | 3          | P815034            |
| Hardware pack            | 1          | MH1181A0           |

## TOOLS REQUIRED:



PHILLIPS No.2 SCREWDRIVER

## CUSTOMER SERVICE INFORMATION

**IN THE UNLIKELY EVENT OF PARTS BEING FAULTY OR MISSING, CHECK PACKAGING. REPLACEMENT PARTS CAN BE OBTAINED BY CALLING THE TOLL FREE NUMBER WITHIN 14 DAYS OF PURCHASE.**

**TOLL-FREE NUMBER - (800) 359-5520 (USA ONLY)**

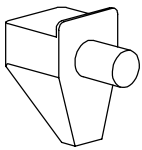
THE FOLLOWING INFORMATION MUST BE SUPPLIED IN FULL:

1. YOUR NAME, ADDRESS AND TELEPHONE NUMBER.
2. PRODUCT MODEL NAME/NUMBER AND COLOR.
3. DESCRIPTION, PART NUMBER AND QUANTITY OF REQUIRED PARTS.
4. PURCHASE DETAILS: -STORE THE UNIT WAS PURCHASED FROM.  
-DATE OF PURCHASE.
5. SERIAL NUMBER OF THE UNIT PURCHASED.  
(LOCATED ON REAR OF UNIT)

# Hardware Contents:

**CAUTION**  
There are many small components used in the construction of this unit.  
These loose items should be kept away from young children while  
assembling your unit.

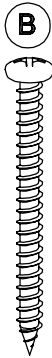
Scale 1:1 (unless stated otherwise)



Shelf pin  
P840048 x 6



P860034 x 9



P860071 X 6



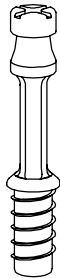
P860068 X 5



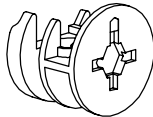
P860211 x 2



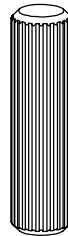
Barrel nut  
P840050 x 2



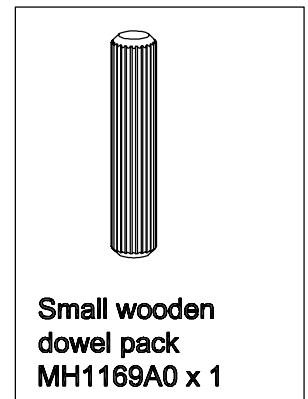
Connector rod  
P820016T x 14



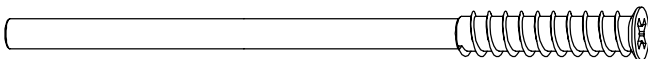
Cam  
P820015T x 14



Large wooden dowels  
P800204 x 4



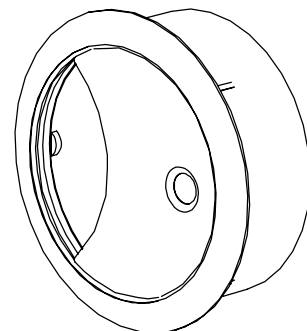
Small wooden  
dowel pack  
MH1169A0 x 1



P816192 x 4 (not to scale)

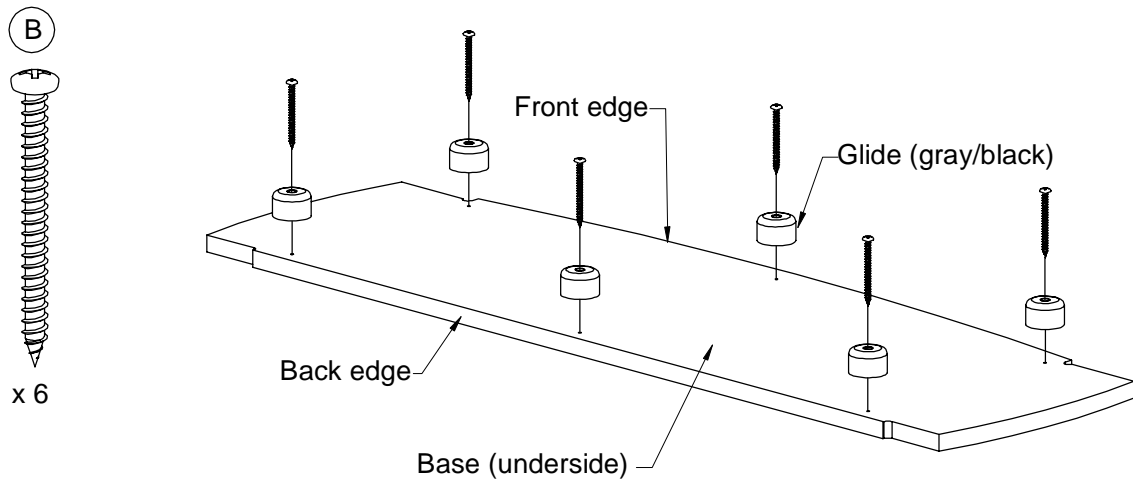


Bump-on  
P840022 x 18



Cable Ducts  
P840200 x 4 (not to scale)

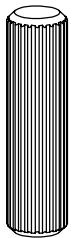
## STEP 1



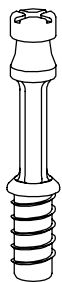
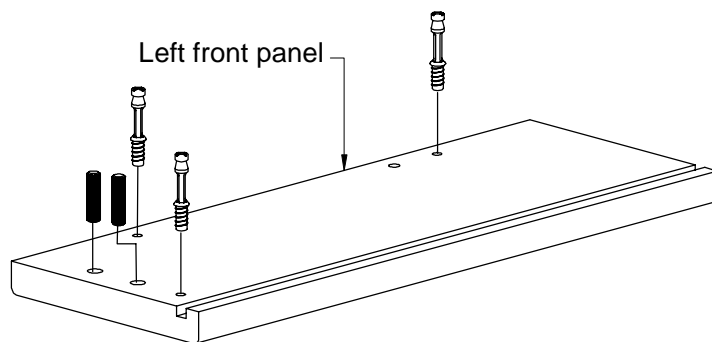
Fasten 6 glides to the base as shown.

Note that there are 3 gray and 3 black glides. Use gray glides at front of the base if the stand is going to be placed on a light colored floor. Use Black glides at the front if the stand is going to be placed on a dark colored floor.

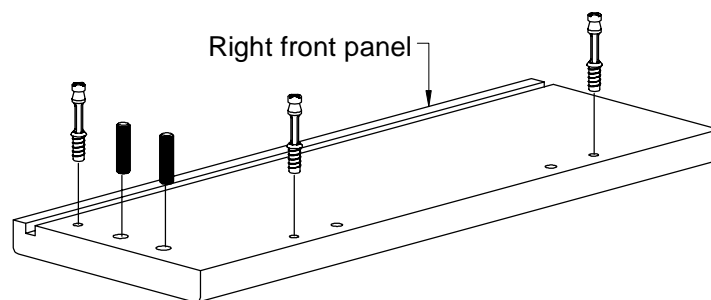
## STEP 2



Large wooden dowels x 4

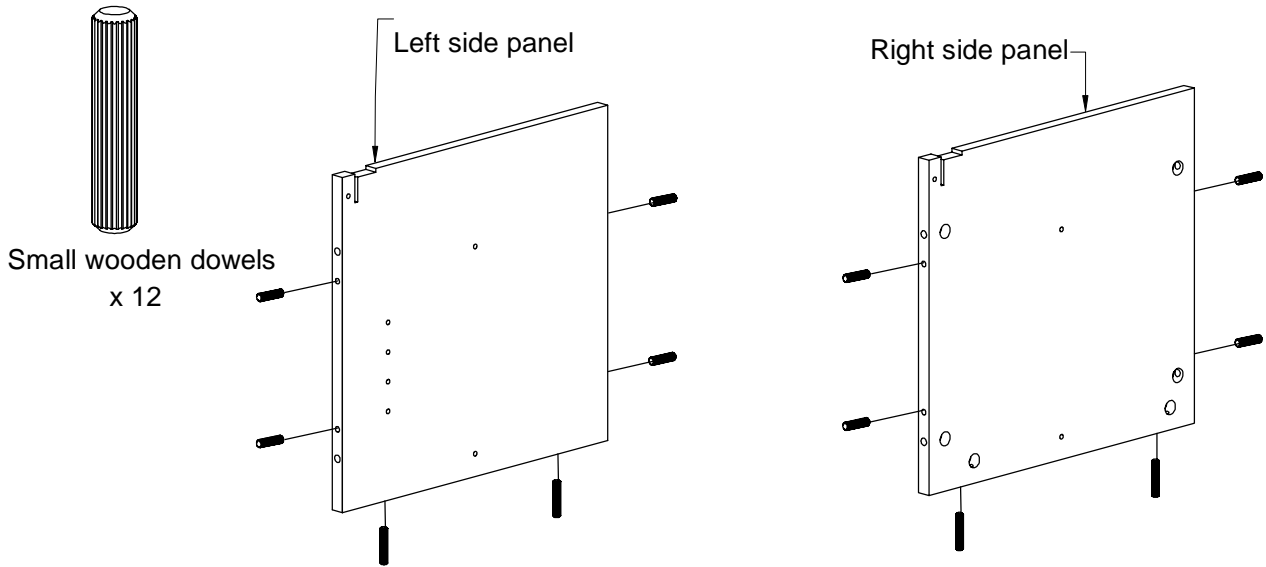


x 6



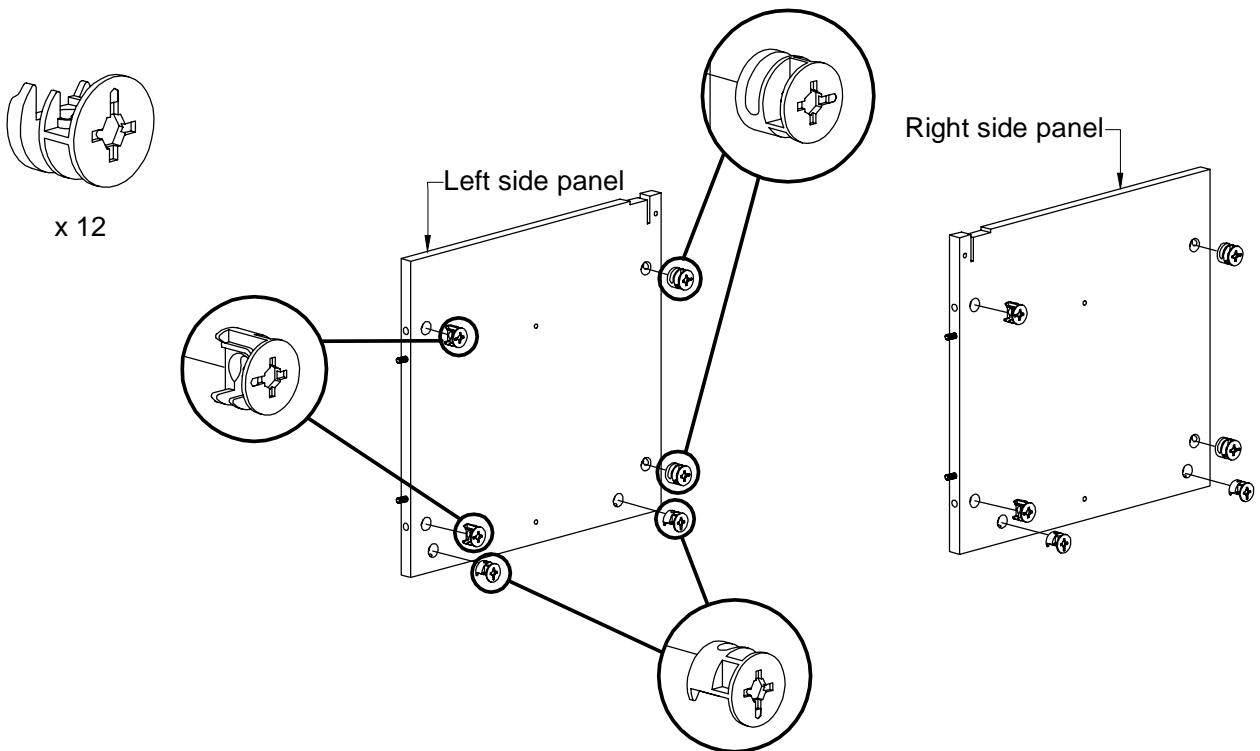
Screw 3 connector rods into holes in left and right front panels as indicated above. Press fit 2 large wooden dowels into large holes in left and right panels as shown.

### STEP 3



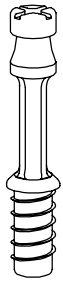
Press fit small wooden dowels into left and right sides as shown above.

### STEP 4

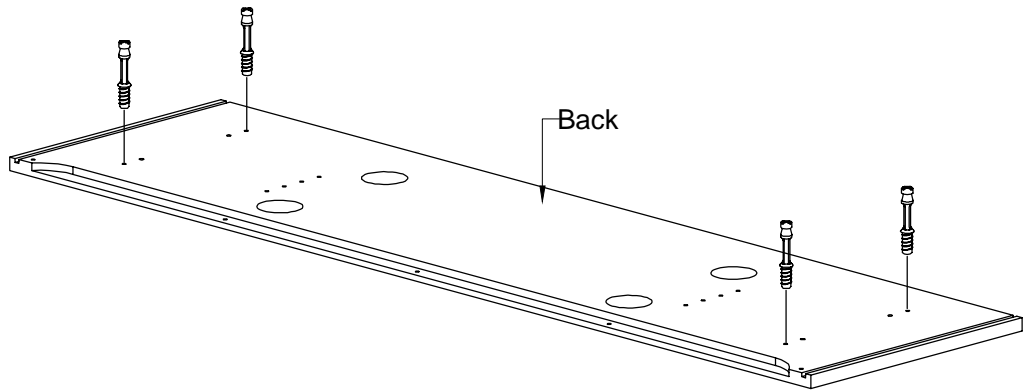


Insert cams into large holes in left and right sides as shown.  
Make sure arrows on the cams point towards the corresponding cam holes along the edges of the panels.

## STEP 5

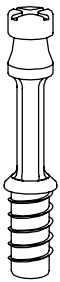


x 4

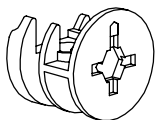


Screw 4 connector rods into holes indicated in back panel.

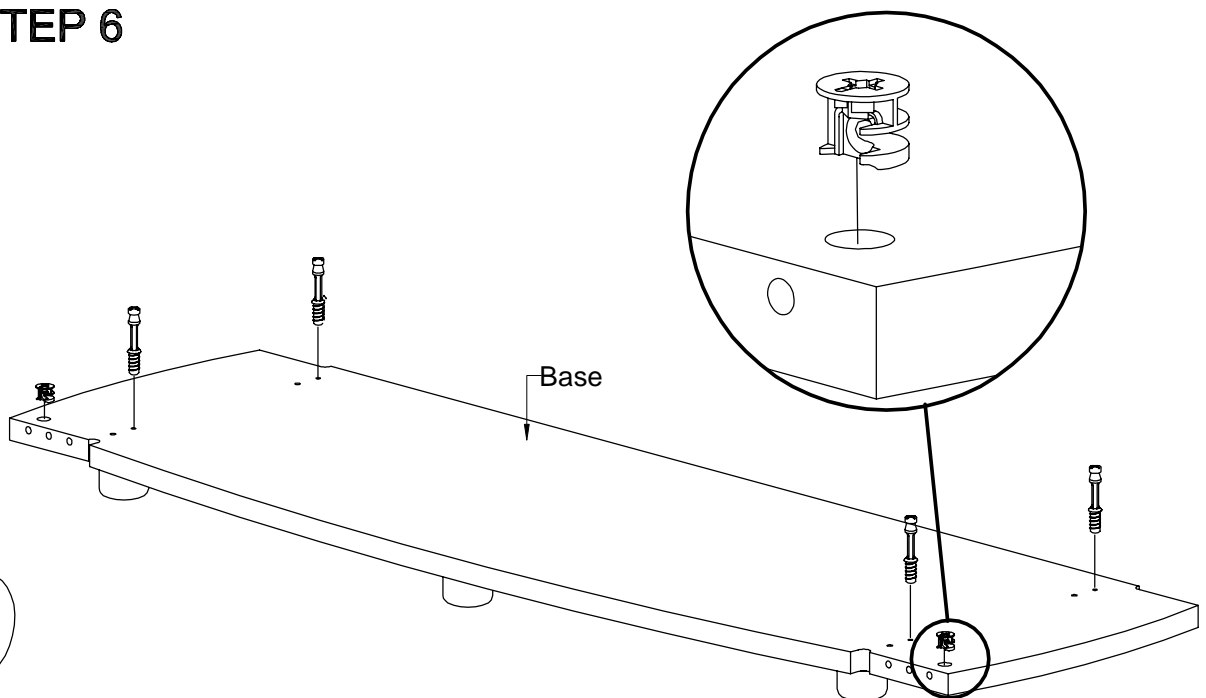
## STEP 6



x 4

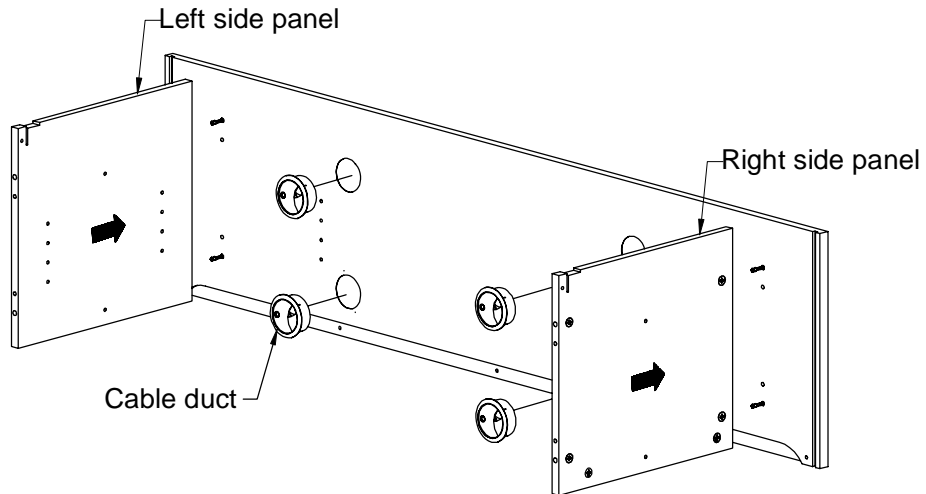
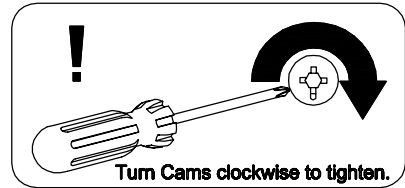


x 2




Screw 4 connector rods into holes in the base as indicated above.  
Insert 2 cams into large holes in the base as shown above.

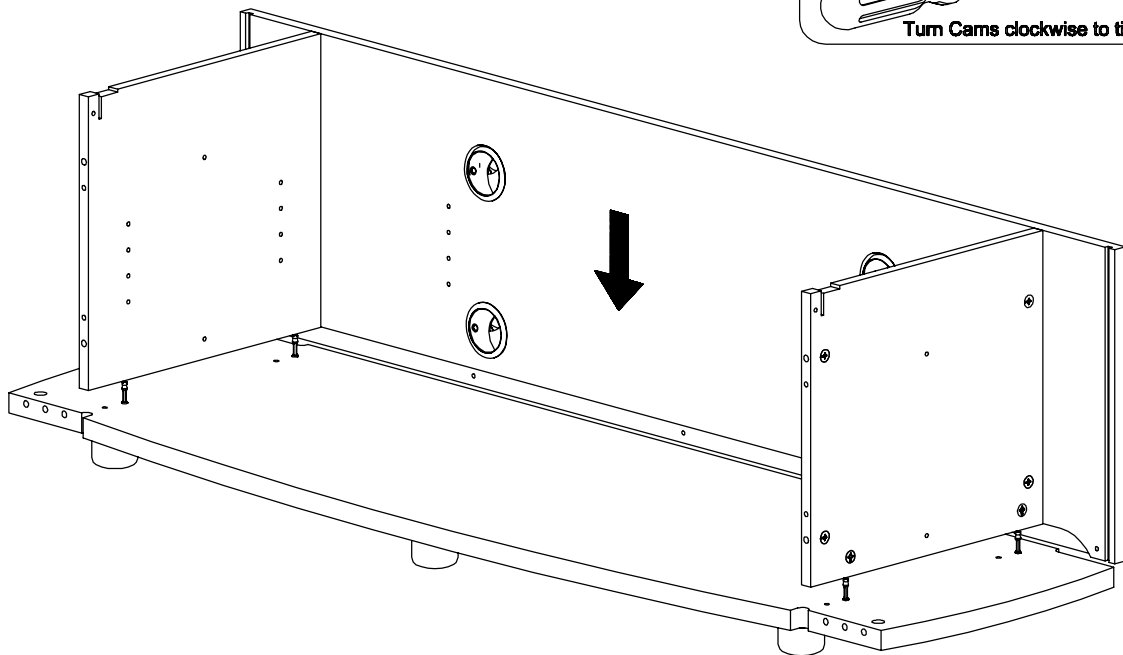
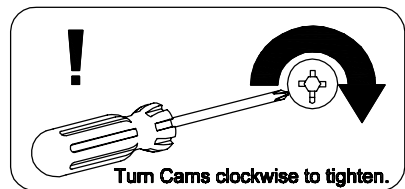
## STEP 7



Press fit the sides to the back as shown above. Turn the cams clockwise to tighten.  
Press fit 4 cable ducts into large holes in the back as shown.

## STEP 8

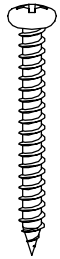
 Assistance may be needed for this step.



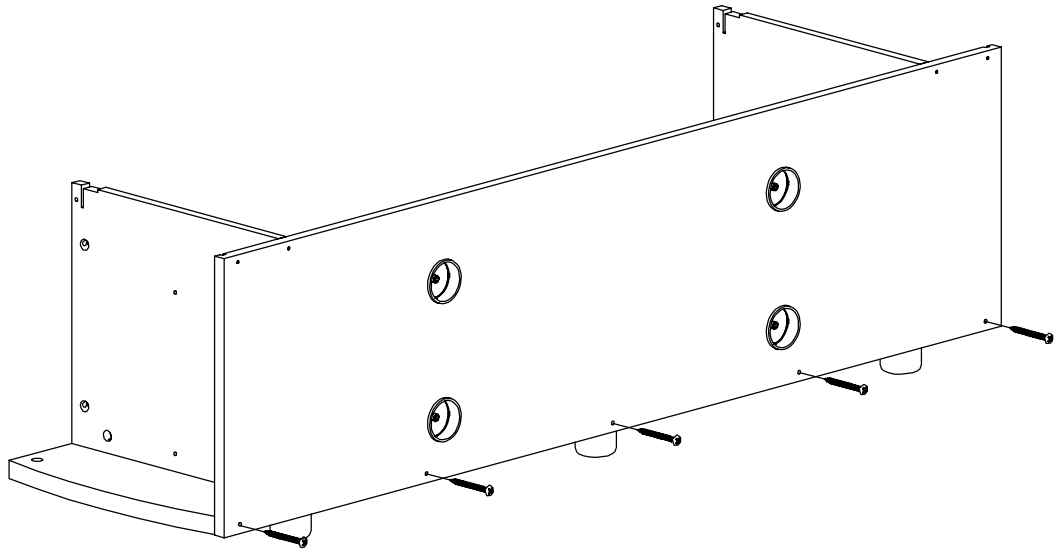
Press fit the sides and back assembly onto the base as shown. Turn the cams clockwise to tighten.

## STEP 9

(C)



x 5



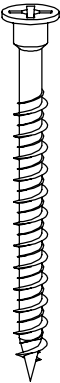
Fasten the back to the base as shown above.

## STEP 10



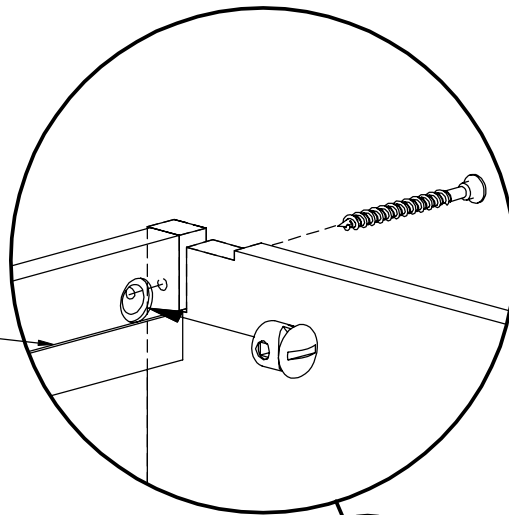
x 2

(D)

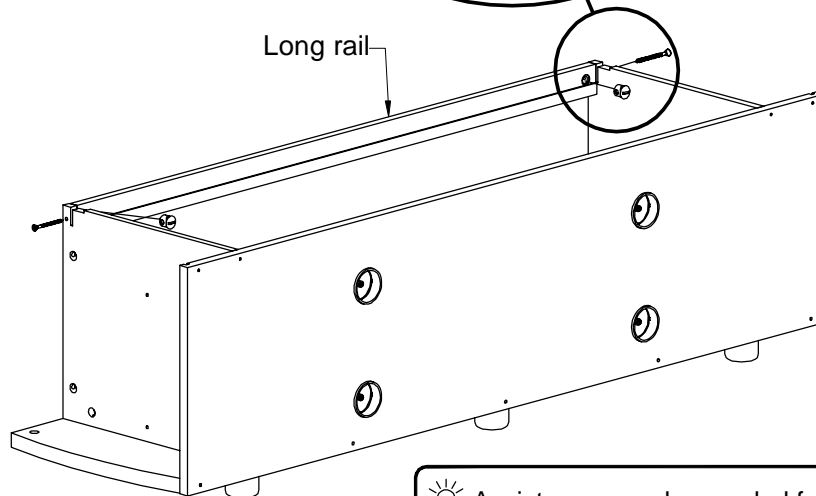



x 2

Note position of rebate



Long rail

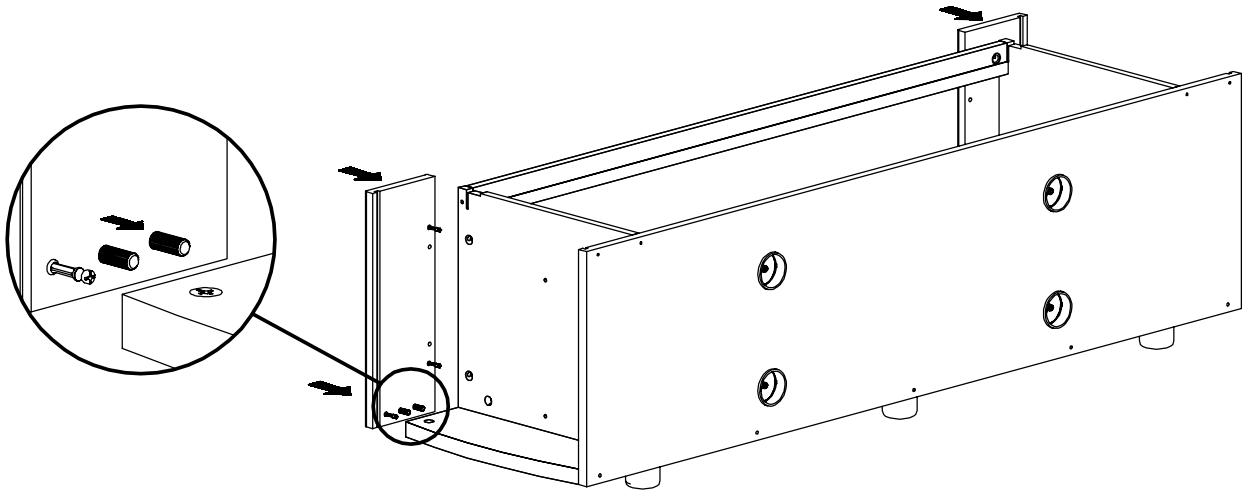
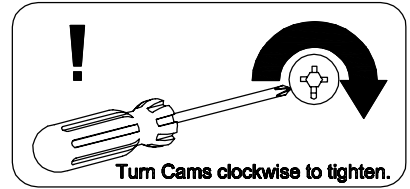


 Assistance may be needed for this step.

Hold the long rail in between the sides as illustrated.  
Insert the black barrel nuts into the holes in the long rail.  
Ensure the holes in the sides are aligned with the holes in the long rail.  
Fasten the sides to the long rail as shown.

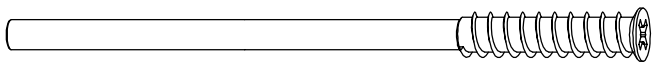


## STEP 11

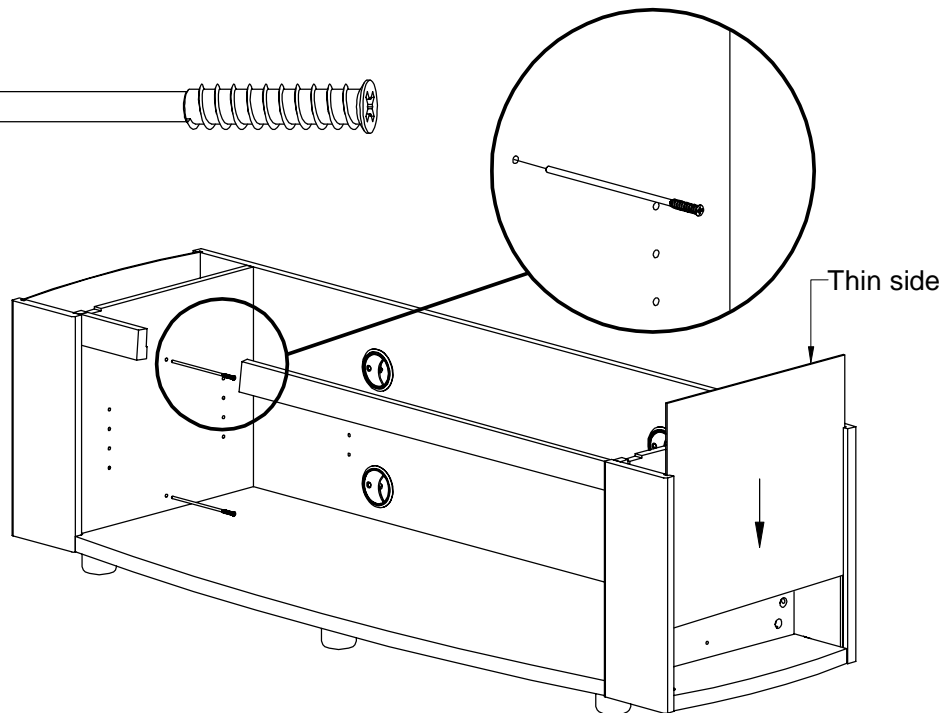


Press fit the front panels to the sides and base as shown.  
Turn the cams clockwise to tighten.

## STEP 12

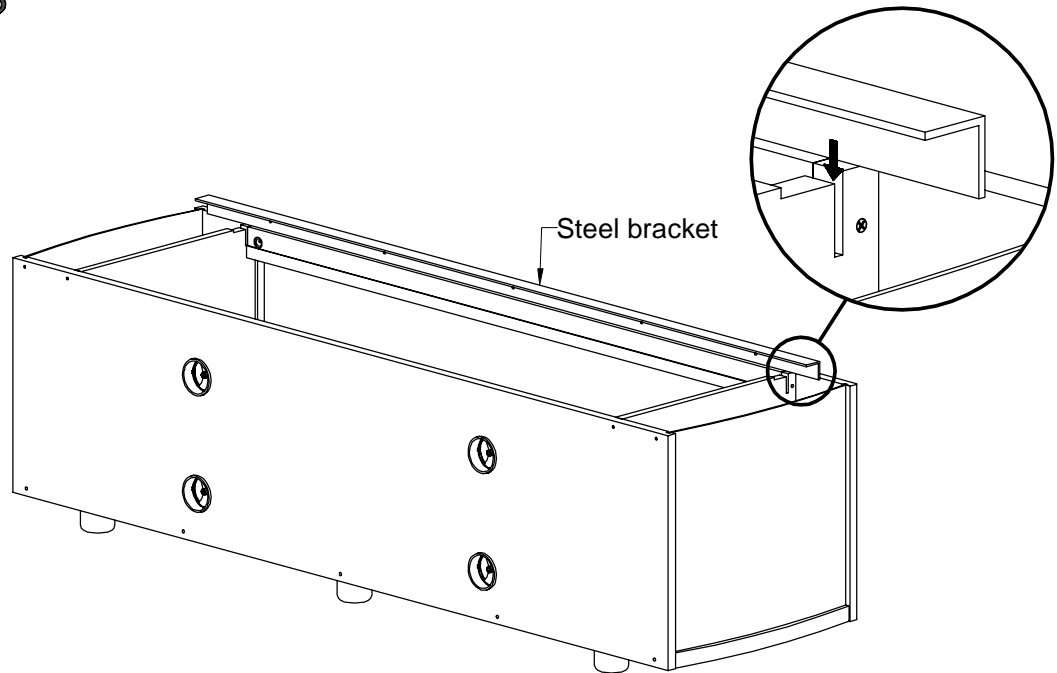


Adjusting screw x 4

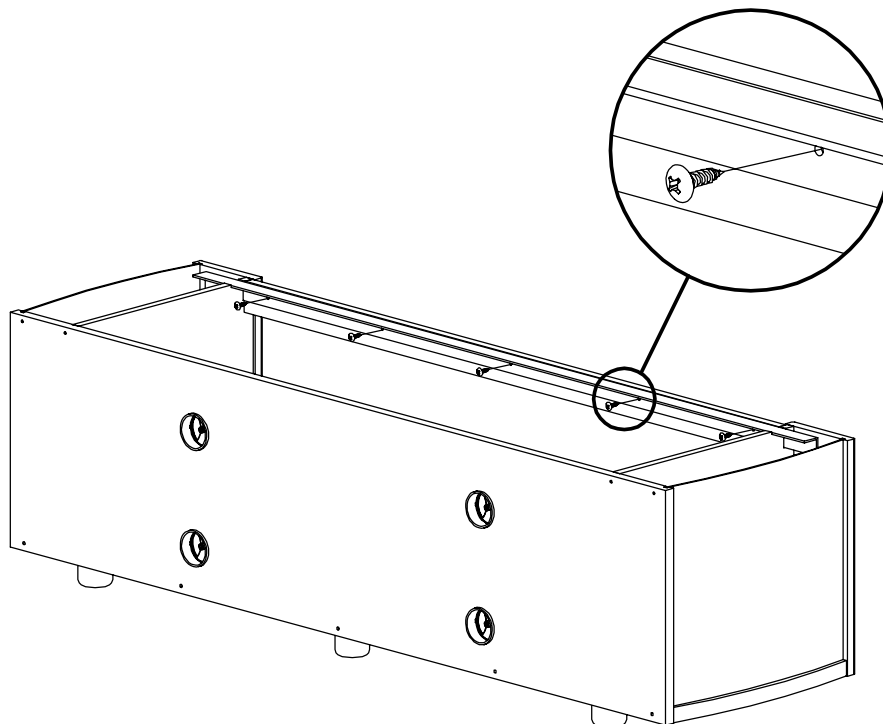


Slide thin sides down slots in front panels and back, ensuring silver surfaces face out.  
Screw each adjusting screw into sides by half of it's visible threaded length, then once this is done, tighten all 4 Adjusting screws fully into sides.

## STEP 13

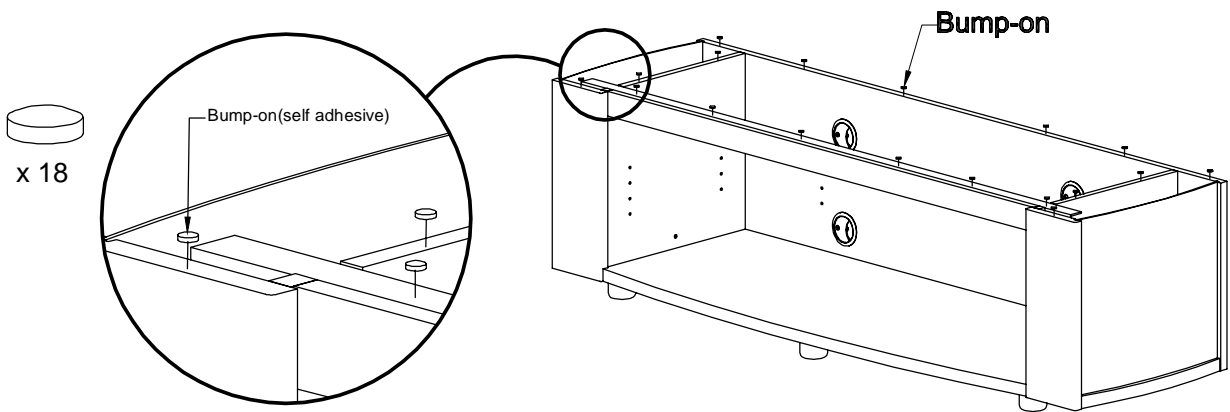


Fit the long steel bracket into the rebate in the long rail and in the grooves in the sides as shown above. Ensure the bracket is equally distanced from the sides on both ends.




Once the bracket is adjusted in the sides, fasten it to the long rail using the screws shown above. It is important that you hold the long rail against the steel bracket as you tighten the screws.

## STEP 14

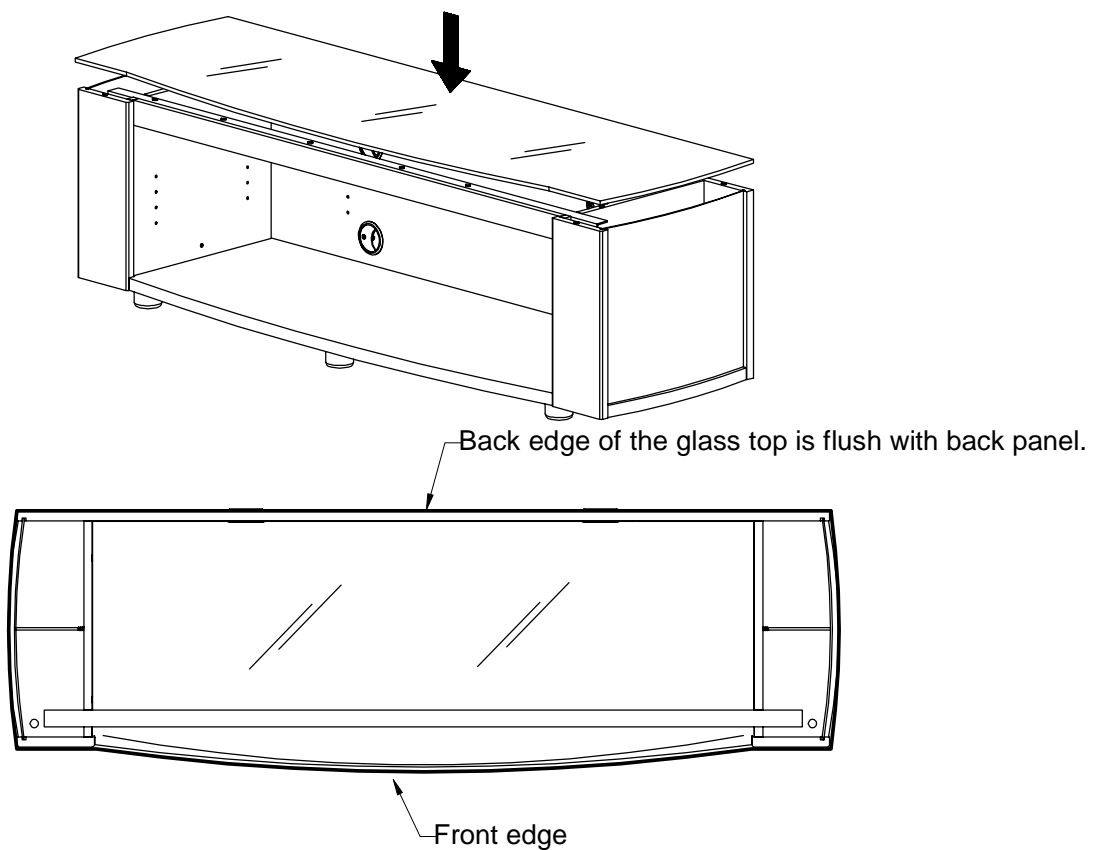


Attach 18 bump-ons to top surface of the back, sides, front rails, and steel bracket where shown above.

 Assistance may be needed for this step.

**When placing the glass top on the unit, pay attention to the following tips:**

- \* Ensure painted side is facing down.
- \* Back edge of the glass top must be flush with the back panel.
- \* Glass top's overhang at the left side must match that of the right side.
- \* Lift the glass when repositioning it, do not drag it as it could damage your glass.



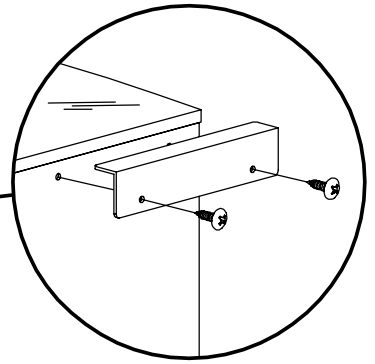
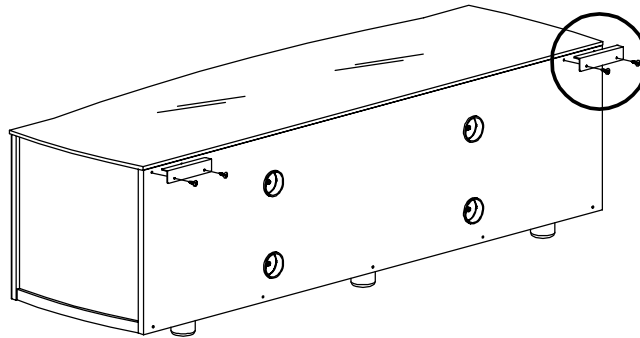
Above is the top view of the cabinet, indicating where the glass top should rest on the cabinet.

## STEP 15


A

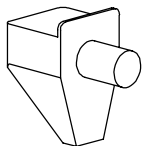


x 4



Fasten the angle brackets to the back as shown above.  
Note - the angle brackets are essential for the strength of the stand.

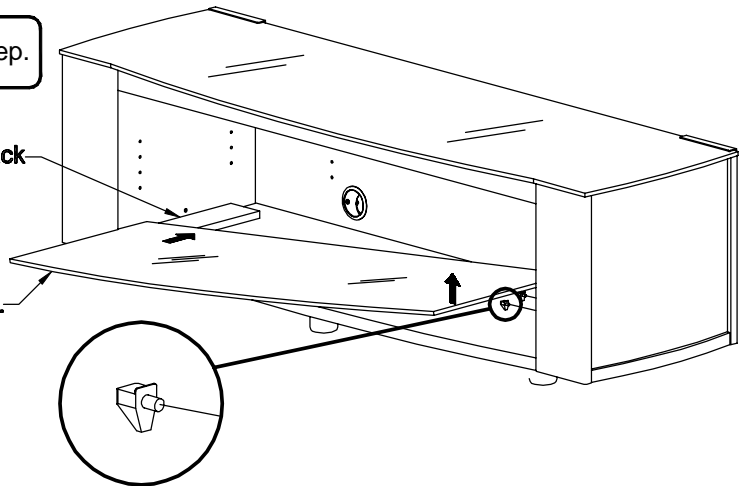
 Assistance will be needed for this step.



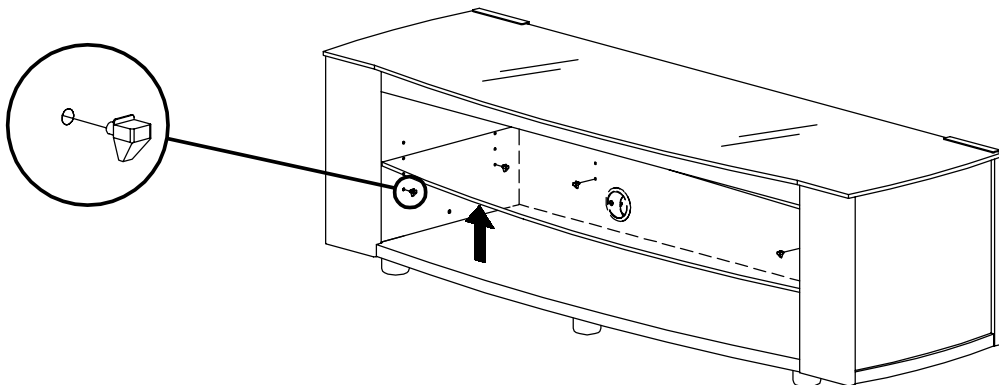
x 6

A piece of polystyrene from the pack

Frosted side should face down.



Insert 2 shelf pins into the bottom holes in the right side. Place a piece of polystyrene (from the pack) onto the base as shown above (Alternatively you could use a soft rag). Tilt the glass to one side and rest it on top of the polystyrene. Then carefully push the glass inside the cabinet and rest the right side on the shelf pins.



Then raise the left side of the glass up and insert the remaining of the shelf pins into the left side and back. Lower the glass onto the shelf pins.

NOTE: We recommend that all contents stored in or on this item of furniture be removed before shifting it. The manufacturers will not be held liable for damage caused when furniture is shifted without first removing its contents. If furniture is shifted we recommend that it is lifted not dragged.