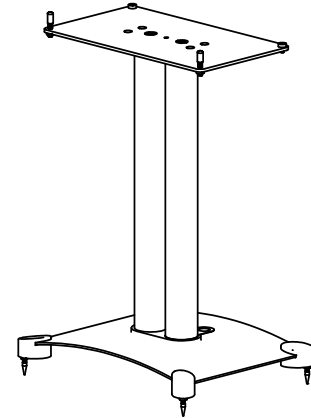
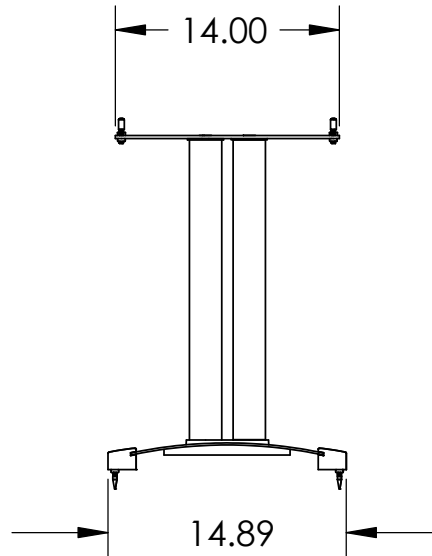
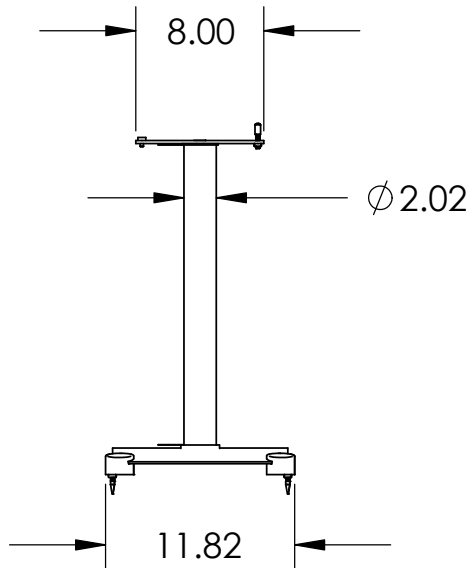


Maximum Speaker
Capacity: 35lbs.



SFC22 Shown



Model	Height (in)
SFC18	18
SFC22	22

	NAME	DATE	SANUS SYSTEMS TITLE: SFC18 and SFC22
DRAWN	NAS	9/27/05	
CHECKED			
ENG APPR.			
MFG APPR.			
	Q.A.		
PROPRIETARY AND CONFIDENTIAL THE INFORMATION CONTAINED IN THIS DRAWING IS THE SOLE PROPERTY OF SANUS SYSTEMS. ANY REPRODUCTION IN PART OR AS A WHOLE WITHOUT THE WRITTEN PERMISSION OF SANUS SYSTEMS IS PROHIBITED.			Steel Foundations
SCALE: 1:12			SHEET 1 OF 1