

# SANUS | SYSTEMS

THE UNION OF FORM AND FUNCTION

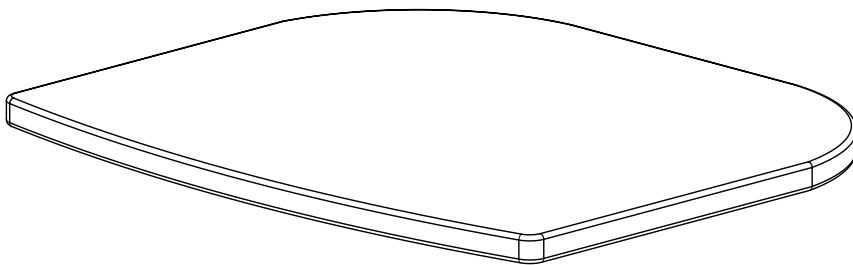
## Assembly Instructions for TVS

Thank you for choosing the TVS. If you do not understand these directions, or have any doubts about the safety of the installation, please contact Sanus at 800.359.5520 or [www.sanus.com](http://www.sanus.com). Check carefully to make sure that there are no missing or defective parts. Our customer service representatives can quickly assist you with installation questions and missing or damaged parts. Replacement parts for products purchased through authorized dealers will be shipped directly to you. Never use defective parts. Improper installation may cause damage or serious injury. Do not use this product for any purpose that is not explicitly specified by Sanus Systems. Sanus Systems can not be liable for damage or injury caused by incorrect mounting, incorrect assembly, or incorrect use. Please call Sanus Systems before returning products to the point of purchase.

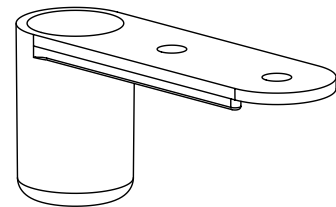
### ⚠ Caution:

- Not suitable for use with all TVs.
- For use only on TVs with a perfectly flat and level top and this shelf must be level after installation.
- Not suitable for use with flat panel or rear projection TVs.
- Do not use at a height more than 48" above floor.
- Shelf foot angle not to exceed 45 degrees.
- Total weight on shelf not to exceed 15 lbs.
- Depth of items placed on this shelf not to exceed 15" and under no circumstance should any item overhang the back of the shelf.

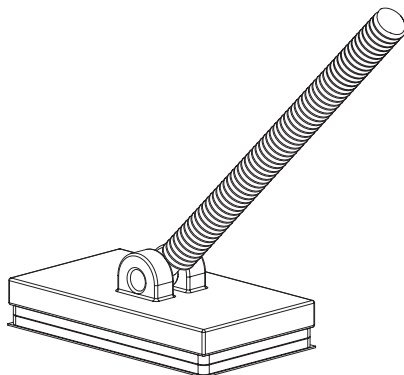
Parts and Hardware: \*Some parts not shown at same scale



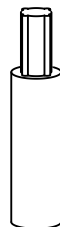
(1) Shelf - a\*



(2) Plastic Legs - b\*



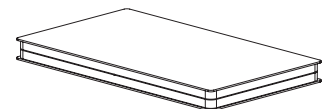
(2) Adjustable Foot - c



(2) Plastic Safety Pegs - d



(2) Bolts - e



(3) Hook and Loop Tape Pads - f

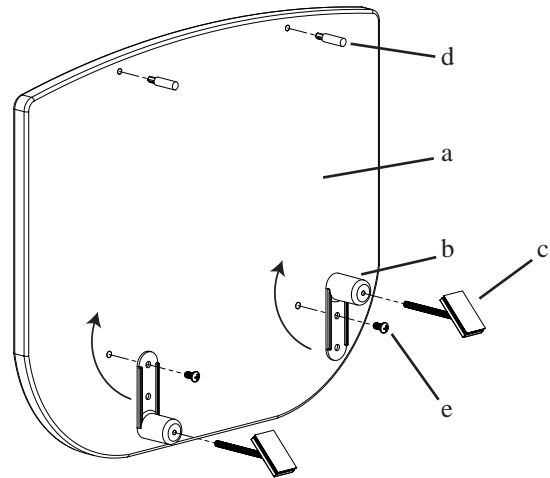
### Step 1: Add Plastic Legs, Adjustable Feet and Plastic Safety Pegs to Shelf

First, Thread an Adjustable Foot (c) into each Plastic Leg (b) as seen in Diagram 1.

Next, Notice that the Plastic Legs have two bolt holes in them to allow compatibility with a wide variety of televisions. Choose the appropriate bolt hole for your television and attach both Plastic Legs to the bottom of the Shelf (a) with the supplied Bolts (e). The Plastic Legs can be rotated 360 degrees around the bolt that attaches them to the Shelf. See Diagram 1 for assistance. Do not tighten the Bolts at this time.

Next, insert the Plastic Safety Pegs (d) into the Top Shelf. The Plastic Safety pegs project down over the front of the television and are designed to prevent the Shelf from being pushed off the back of the television. Proceed to gently tap them into the holes on the bottom front edge of the Shelf with a hammer. See Diagram 1 for assistance.

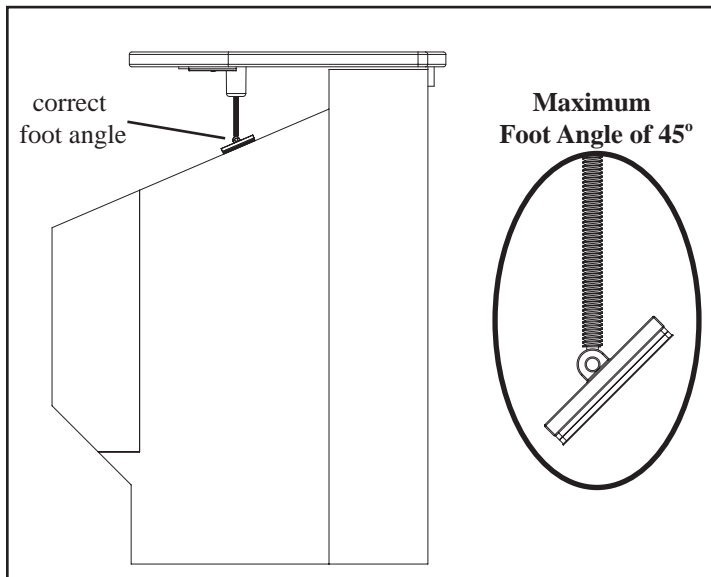
Diagram 1



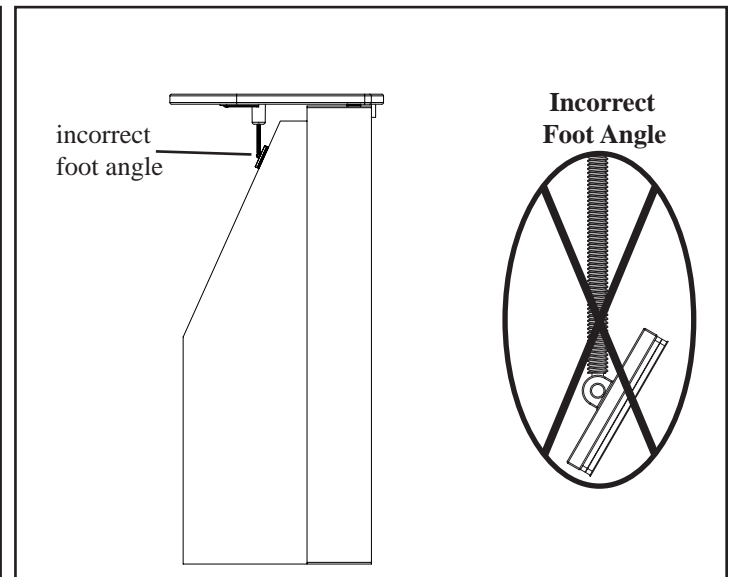
### Step 2: Position the Shelf on the TV

Set the unit on top of your television as seen in the Correct Installation Diagram. Adjust the position of the Plastic Legs (b) and the height of the Adjustable Feet (c) so that they provide stable and level support for the rear of the Shelf (a). Tighten the Bolts (e) on the Plastic Legs to lock them in place. **Note the appropriate angles for the Adjustable Feet in the diagrams below. The recommended angle of the Foot is 45 degrees or less!**

#### Correct Installation



#### Incorrect Installation



### Step 3: Add Hook and Loop Tape to Shelf

Notice where the front of the Shelf (a) makes contact with your television. Apply the three self adhesive Hook and Loop Tape Pads (f) to the Shelf as seen in Diagram 3.

Place the Shelf assembly back on the television to ensure a stable and level fit. Remove the paper back from the 5 pieces of self adhesive Hook and Loop Tape and place the shelf down onto the correct spot on the television. This completes the assembly process.

Diagram 3

