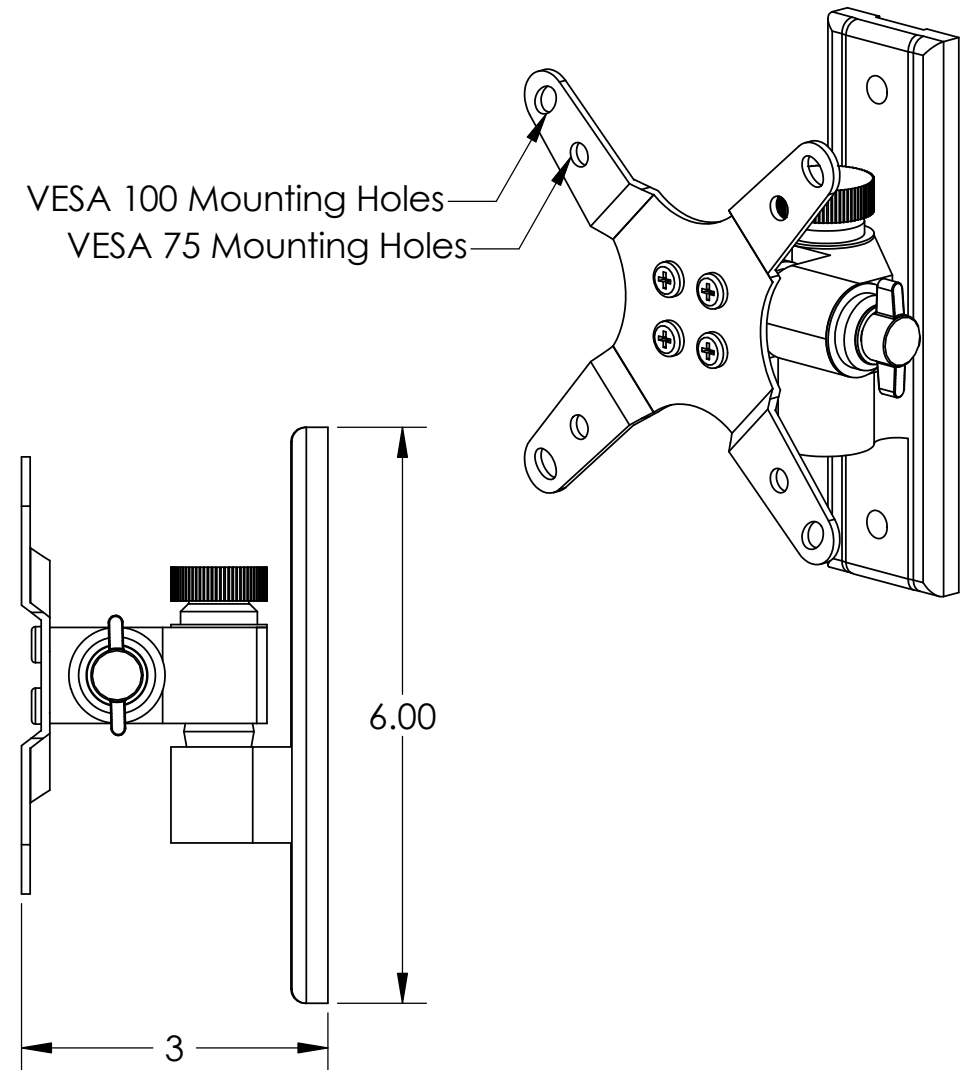


VESA 100 Mounting Holes
VESA 75 Mounting Holes



	NAME	DATE
DRAWN	NAS	11/14/05
CHECKED		
ENG APPR.		
MFG APPR.		
Q.A.		

SANUS SYSTEMS

TITLE:

VM1 Cut Sheet

PROPRIETARY AND CONFIDENTIAL
THE INFORMATION CONTAINED IN THIS DRAWING IS THE SOLE PROPERTY OF SANUS SYSTEMS. ANY REPRODUCTION IN PART OR AS A WHOLE WITHOUT THE WRITTEN PERMISSION OF SANUS SYSTEMS IS PROHIBITED.

Tilt & Swivel
Wall Mount

SCALE: 1:2

SHEET 1 OF 1