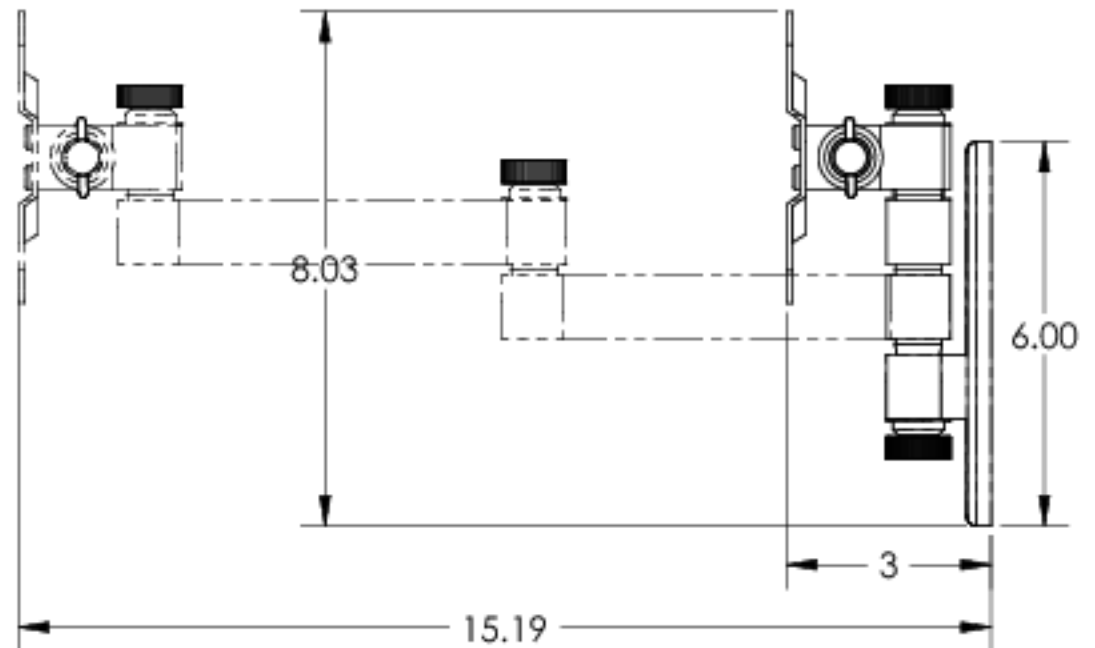
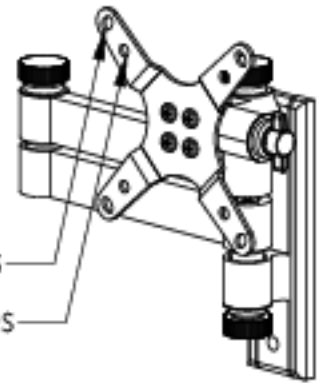


4.70' Between Wall Plate Mounting Holes

VESA 100 Mounting Holes  
VESA 75 Mounting Holes



|            | NAME | DATE     |
|------------|------|----------|
| DRAWN      | NAS  | 11/14/05 |
| CHECKED    |      |          |
| ENG. APPR. |      |          |
| MFG. APPR. |      |          |
| Q.A.       |      |          |

**SANUS SYSTEMS**

TITLE:

**VM3 Cut Sheet**

**PROPRIETARY AND CONFIDENTIAL**  
THE INFORMATION CONTAINED IN THIS DRAWING IS THE SOLE PROPERTY OF SANUS SYSTEMS. ANY REPRODUCTION IN PART OR AS A WHOLE WITHOUT THE WRITTEN PERMISSION OF SANUS SYSTEMS IS PROHIBITED.

Full Motion  
Wall Mount

SCALE: 1:3

SHEET 1 OF 1