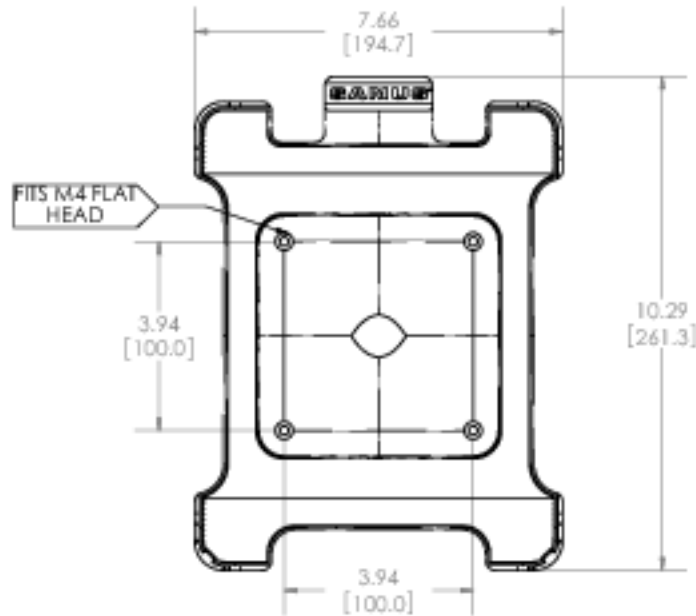


FITS FIRST GENERATION IPAD ONLY



PROPRIETARY AND CONFIDENTIAL THE INFORMATION CONTAINED IN THIS DRAWING IS THE SOLE PROPERTY OF SANUS SYSTEMS, A PRODUCT DIVISION OF MILSTONE AV TECHNOLOGIES. ANY REPRODUCTION IN PART OR AS A WHOLE WITHOUT THE WRITTEN PERMISSION OF SANUS SYSTEMS IS PROHIBITED. 专有机密资料 本图是属 SANUS SYSTEMS 公司专属财产, 未经 SANUS SYSTEMS 书面许可, 严禁复制 其中任何内容	NAME 姓名	DATE 日期	
	ENGINEER 工程师	.JKV	11/9/2010
	DESIGNER 设计员	.JKV	11/9/2010
	APPROVED 核准	PFT	11/9/2010
	NOTES 注释:		
TEMPLATE REV 模板修订版: 06	SCALE 比例 1:4	SHEET 1 OF 1	

SANUS™
 VISION MOUNT
 DESCRIPTION 描述:
 Ipad Adapter Bracket and 3D Cup