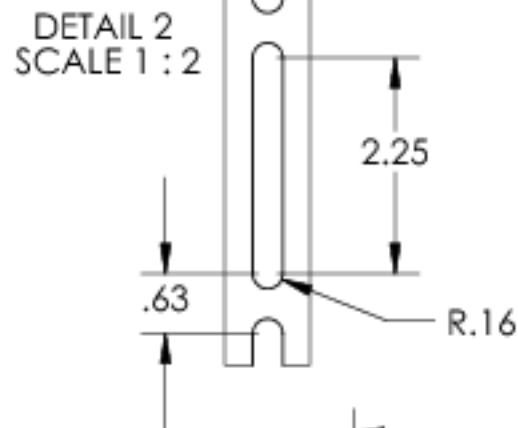
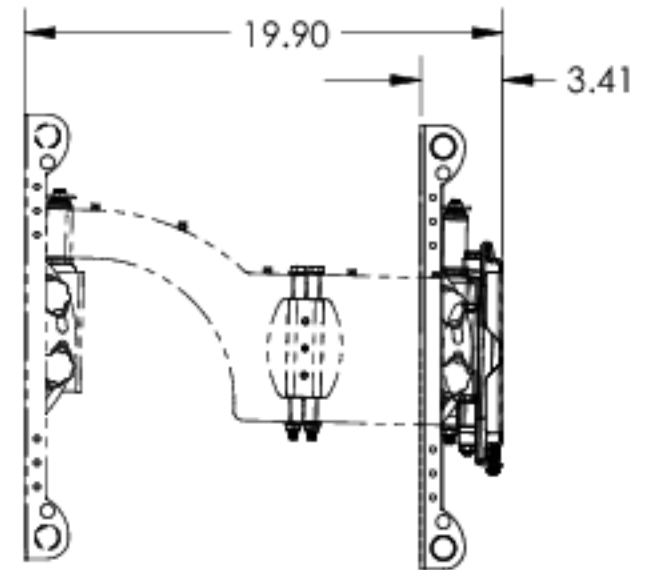
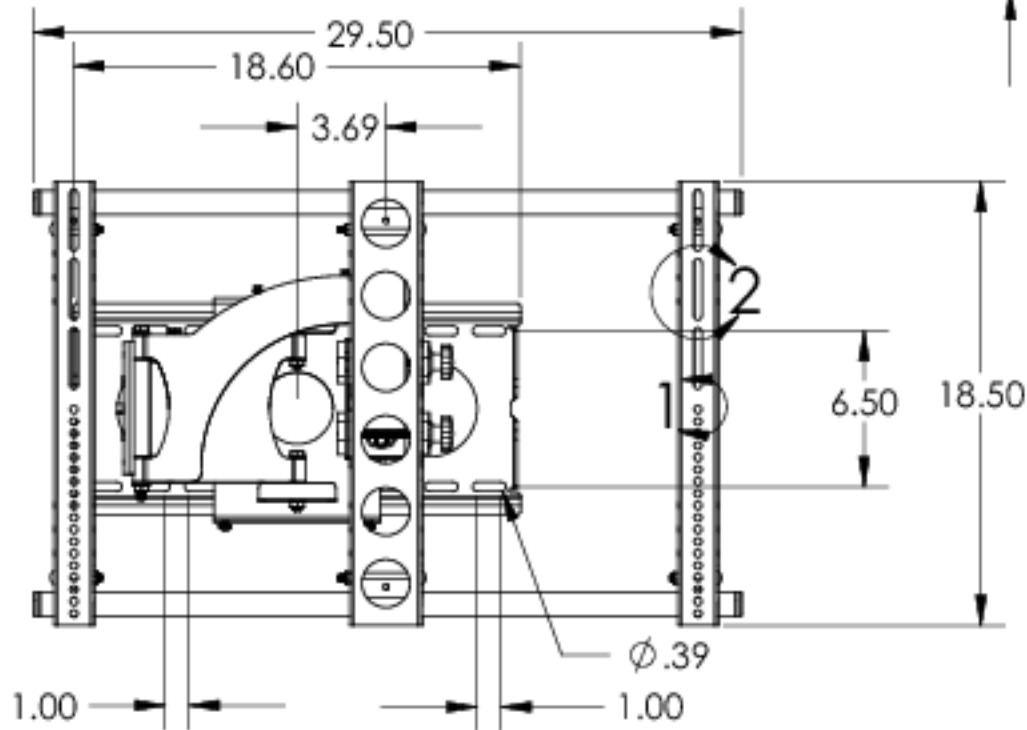
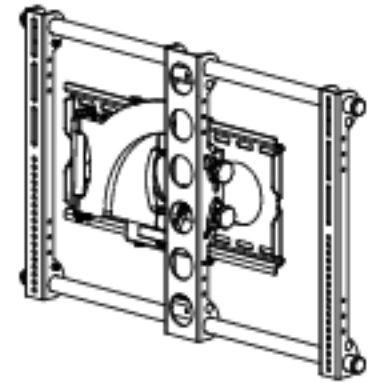


DETAIL 1
SCALE 1 : 2



DETAIL 2
SCALE 1 : 2



	NAME	DATE	SANUS SYSTEMS	
DRAWN	NAS	10/05/06	TITLE:	
CHECKED			VMAA18	
ENG. APPR.				
MFG. APPR.				
Q.A.				
<p>PROPRIETARY AND CONFIDENTIAL THE INFORMATION CONTAINED IN THIS DRAWING IS THE SOLE PROPERTY OF SANUS SYSTEMS. ANY REPRODUCTION IN PART OR AS A WHOLE WITHOUT THE WRITTEN PERMISSION OF SANUS SYSTEMS IS PROHIBITED.</p>			Full Motion Wall Mount	
			SCALE: 1:8	SHEET 1 OF 1