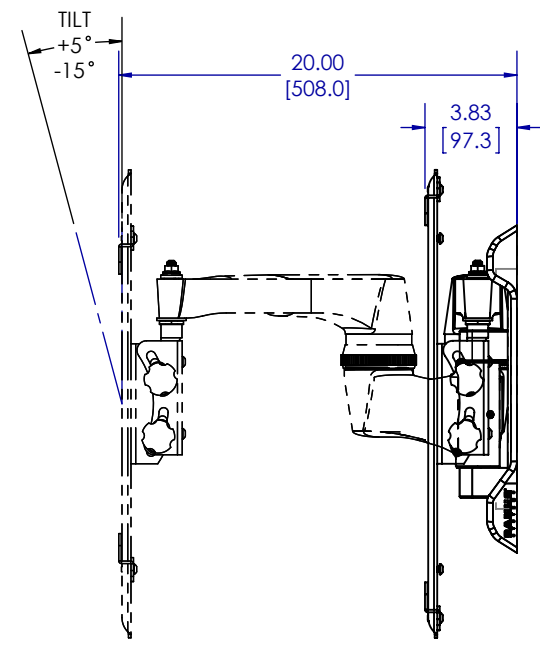
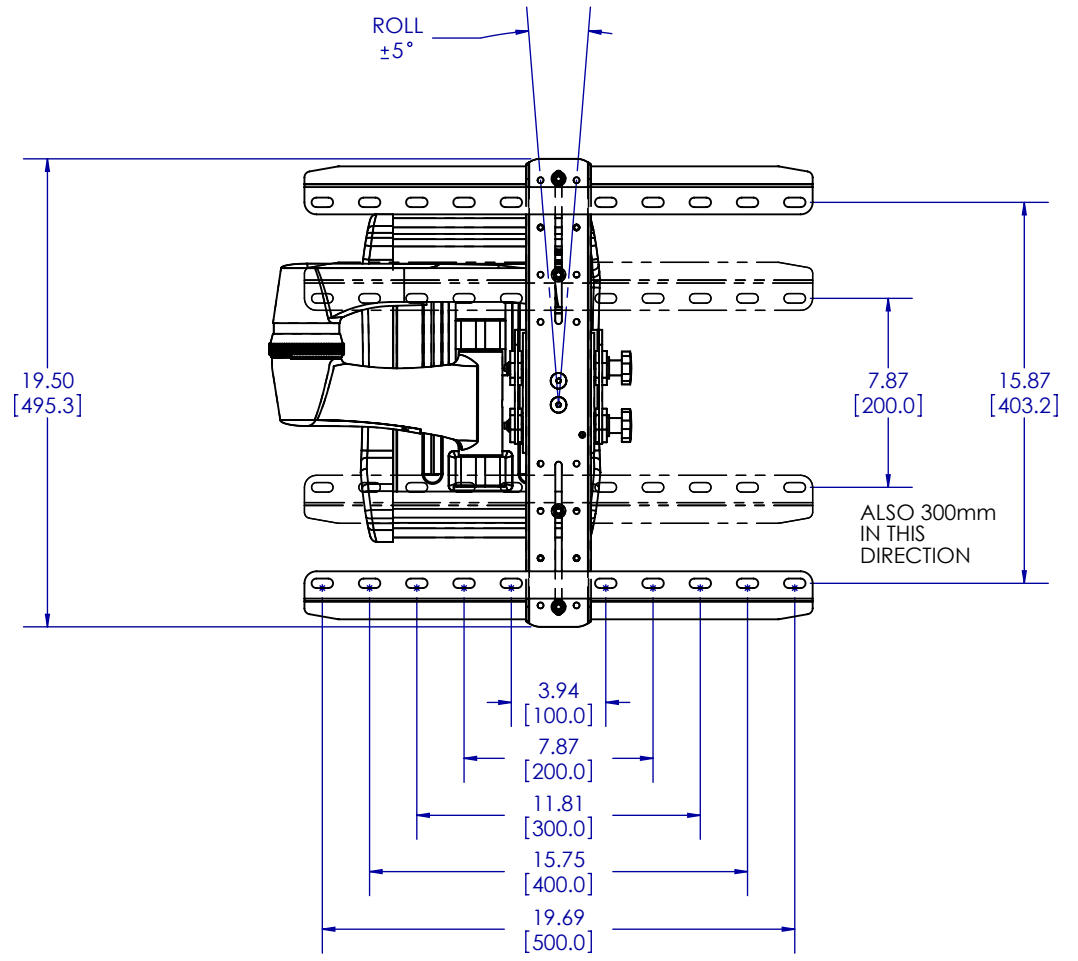
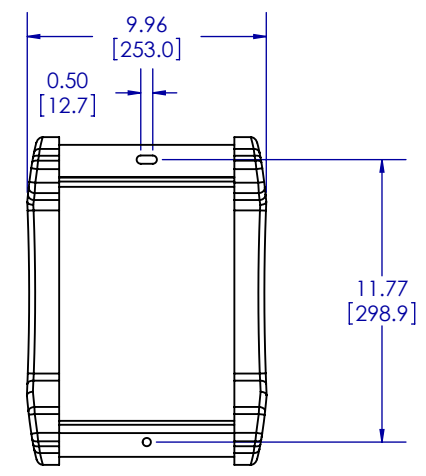
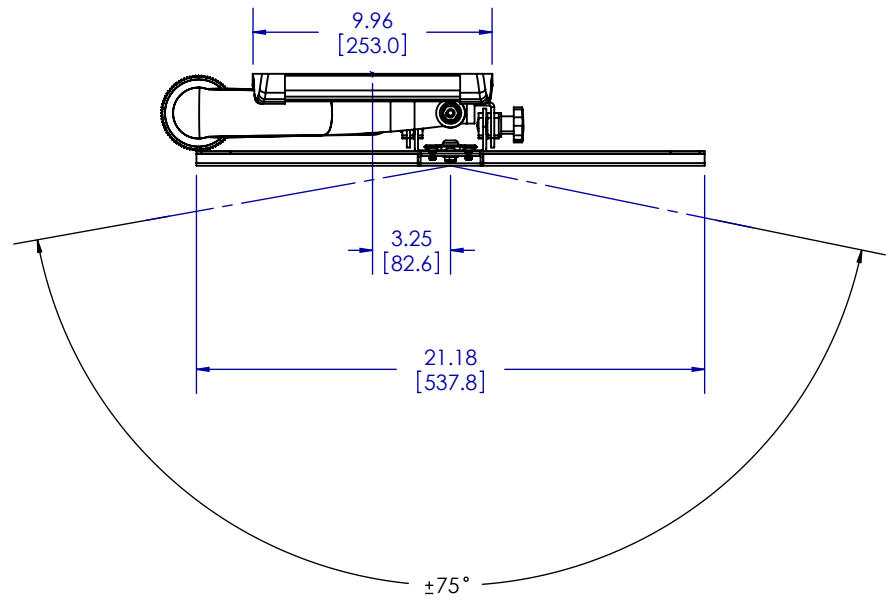


8 7 6 5 4 3 2 1



D
C
B
A

D
C
B

8 7 6 5 4 3 2 1

<p>PROPRIETARY AND CONFIDENTIAL</p> <p>THE INFORMATION CONTAINED IN THIS DRAWING IS THE SOLE PROPERTY OF SANUS SYSTEMS, A PRODUCT DIVISION OF MILESTONE AV TECHNOLOGIES. ANY REPRODUCTION IN PART OR AS A WHOLE WITHOUT THE WRITTEN PERMISSION OF SANUS SYSTEMS IS PROHIBITED.</p> <p>专有且机密资料</p> <p>本信息属 SANUS SYSTEMS 公司专属财产，非经 SANUS SYSTEMS 书面许可，严禁复制其中任何内容</p>	NAME 姓名	DATE 日期	<p>SANUS[®]</p> <p>S Y S T E M S</p> <p>DESCRIPTION 描述： VMF220</p>	
	ENGINEER 工程师	STR		6/24/09
	DESIGNER 设计师	MRR		6/24/09
	APPROVED 批准	STR		6/24/09
NOTES 注释：				
TEMPLATE REV 模板修订版：06	SCALE 比例 1:8	SHEET 1 OF 第 1	<p>SIZER 寸 DWG. NO. 图纸编号</p> <p>B VVMF220</p>	
			<p>REV 修订</p> <p>03</p>	