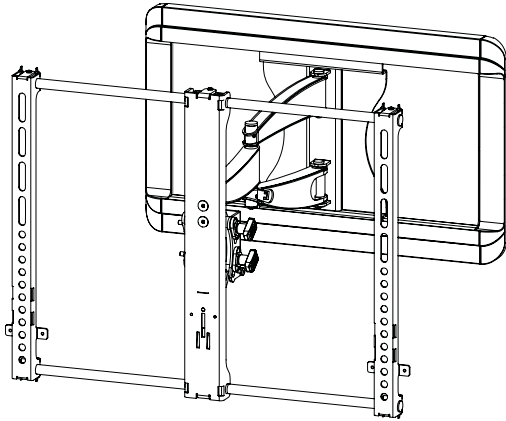


**SANUS®**



**VMF620**  
INSTRUCTION MANUAL

**GET IT  
RIGHT  
THE FIRST TIME**

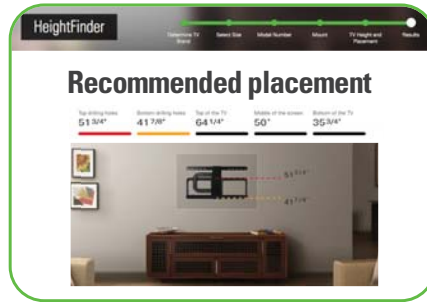
**Follow this step-by-step  
instruction manual to  
speed up your installation.**

# WE'RE HERE TO HELP



Want to watch a video that shows how easy this DIY project will be?

Watch it now at:  
[SANUS.com/2574](https://www.sanus.com/2574)



Get it right the first time. HeightFinder™ shows you where to drill.

Check it out at:  
[SANUS.com/1172](https://www.sanus.com/1172)



Our US-based install experts are standing by to help.

Call us at:  
**800-359-5520**

Or, chat at:  
[SANUS.com/chatSP](https://www.sanus.com/chatSP)

# IMPORTANT SAFETY INSTRUCTIONS – SAVE THESE INSTRUCTIONS – PLEASE READ ENTIRE MANUAL PRIOR TO USE

Before getting started, let's make sure this mount is perfect for you!

Para Español ver página 30

**1** Does your TV (including accessories) weigh **MORE** than 75 lbs. (34.0 kg)?

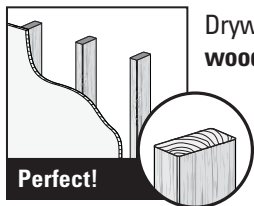


No – Perfect!

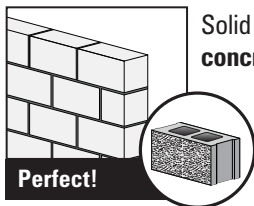
Yes – This mount is NOT compatible. Visit [MountFinder.Sanus.com](http://MountFinder.Sanus.com) or call 1-800-359-5520 (UK: 0800-056-2853) to find a compatible mount.

**2** What is your wall made of?

**CAUTION:**  
DO NOT install into drywall alone



Drywall with wood studs?



Solid concrete or concrete block?



Unsure?

Call Customer Service:  
1-800-359-5520 (UK: 0800-056-2853)

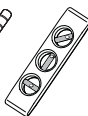
**3** Do you have all the tools needed?



Tape Measure



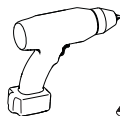
Pencil



Level



Screwdriver



Electric Drill



1/2 in. (13 mm) Socket Wrench

Wood Stud Install



Stud Finder



Awl



7/32 in. (5.5 mm) Wood Drill Bit

Concrete Install



3/8 in. (10 mm) Concrete Drill Bit



Hammer

**4** Ready to begin?

Please read through these instructions completely to be sure you're comfortable with this easy install process. Also check your TV owner's manual to see if there are any special requirements for mounting your TV.

If you do not understand these instructions or have doubts about the safety of the installation, assembly or use of this product, contact Customer Service at 1-800-359-5520 (UK: 0800-056-2853).

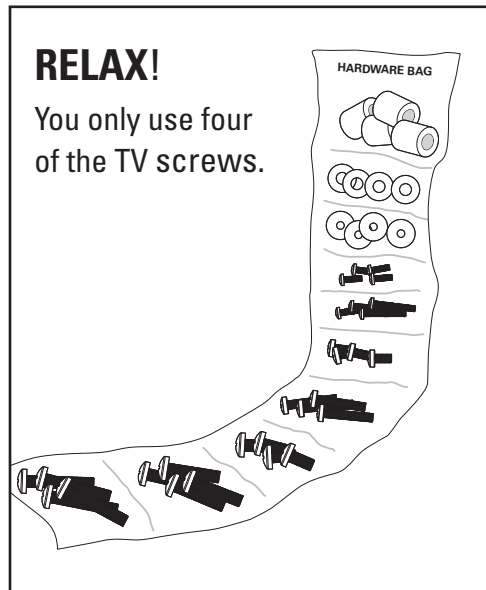
**CAUTION:** Avoid potential personal injuries and property damage!

- This product is designed for use in wood stud, solid concrete, and concrete block walls - DO NOT install into drywall alone
- The wall must be capable of supporting five times the weight of the TV and mount combined
- Do not use this product for any purpose not explicitly specified by manufacturer
- Manufacturer is not responsible for damage or injury caused by incorrect assembly or use

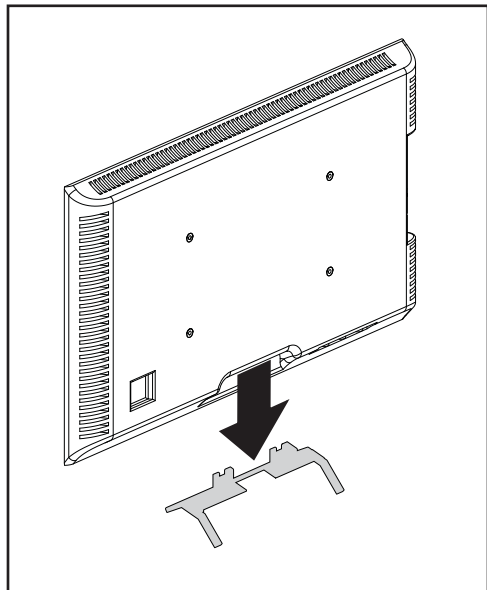
# Before you begin

**Don't stress out** when you see all the hardware included.

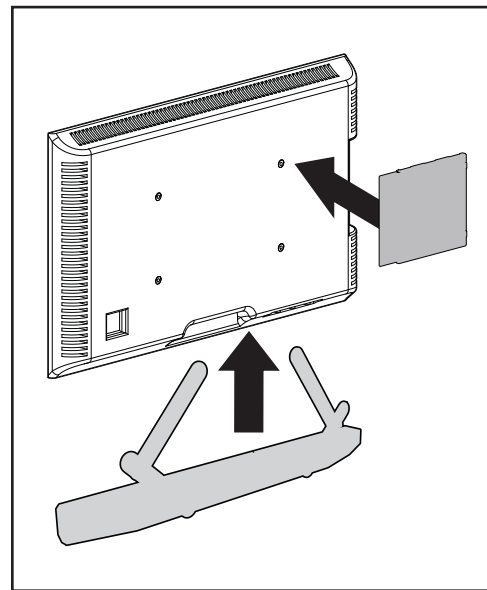
Extra TV screw sizes and lengths are provided to fit most TVs.



**Remove the stand** from your TV — if attached.



**Install any accessories** you may have purchased — if they require the TV to be removed from the wall for assembly. The TV is removable for future accessory purchases.

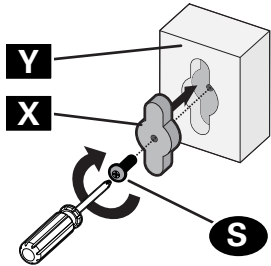


## Step-by-Step illustrations

speed up your installation.

Don't get it? Read the detailed explanation below each step.

### 1 ASSEMBLE



**TIP:** Each component has a number designation. See PAGE 6.

Secure part **X** to housing **Y** using screw **S**.

Read **ALL CAUTION** warnings. These are **IMPORTANT!**

**CAUTION:** Avoid potential

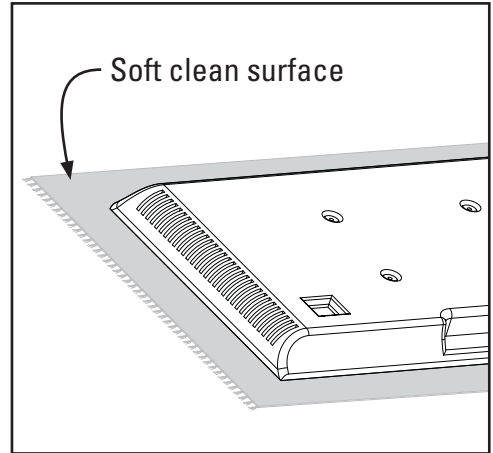
Read **Important Stuff** read read read  
**Must Read** read read read read read  
Read read read **Safety First** read r

**IMPORTANT:** Read Important read

**NOTE:** Read read **Dually Noted** rea

**TIP:** Read **That's Helpful** read read

**Protect the face** of your TV when laying it down for installation.



**Let's Go** →

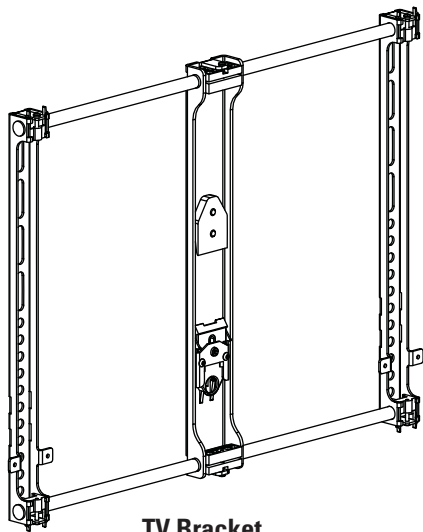
# STEP 1

# Attach TV Bracket to TV

**⚠ WARNING:** This product contains small items that could be a choking hazard if swallowed. Before starting assembly, verify all parts are included and undamaged. If any parts are missing or damaged, do not return the damaged item to your dealer; contact Customer Service. Never use damaged parts!

**📄 NOTE:** Not all hardware included will be used.

## Parts and Hardware for STEP 1

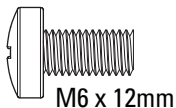


TV Bracket

**01**  
x1

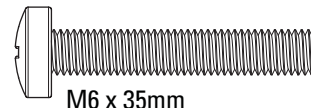
TV Screws M6

**02**  
x4



M6 x 12mm

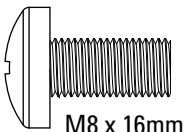
**05**  
x4



M6 x 35mm

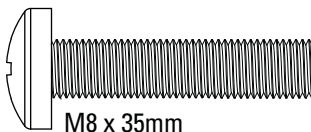
TV Screws M8

**03**  
x4



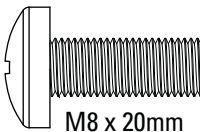
M8 x 16mm

**06**  
x4



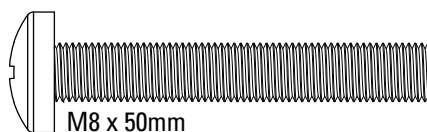
M8 x 35mm

**04**  
x4



M8 x 20mm

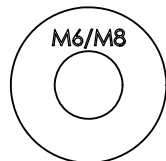
**07**  
x4



M8 x 50mm

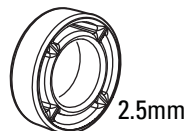
TV Washers

**08**  
x4



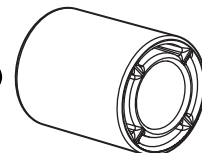
M6/M8

**09**  
x4



2.5mm

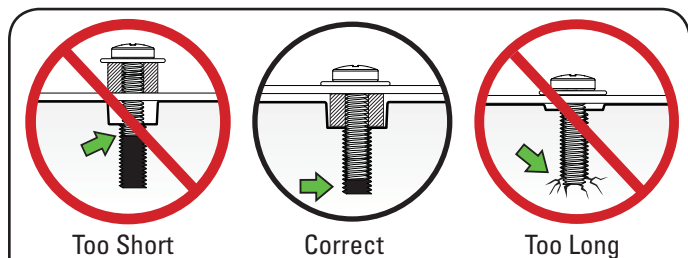
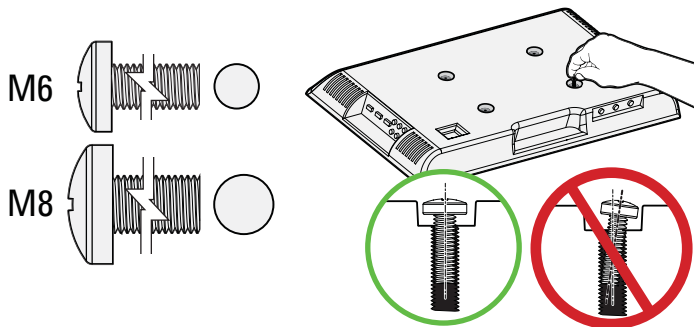
**10**  
x4



22mm

Spacers

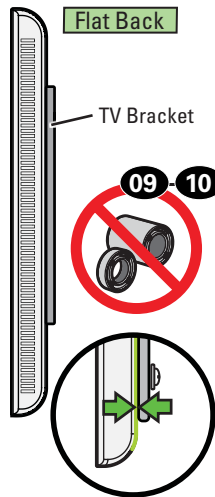
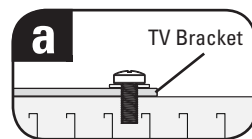
## 1.1 Select TV Screws



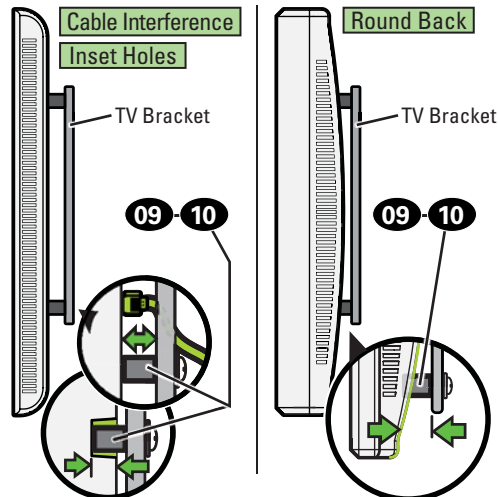
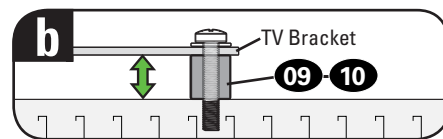
**CAUTION:** Verify adequate thread engagement with your screw/washer/spacer combination AND the TV bracket. (STEP 1.2). **TOO SHORT** will not hold the TV and **TOO LONG** will damage the TV.

Determine which screw diameter (M6 or M8) fits the four mounting holes on the back of your TV.


## 1.2 Spacer Determination

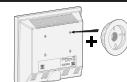


For flat-back TVs, no spacers **09** or **10** are required.

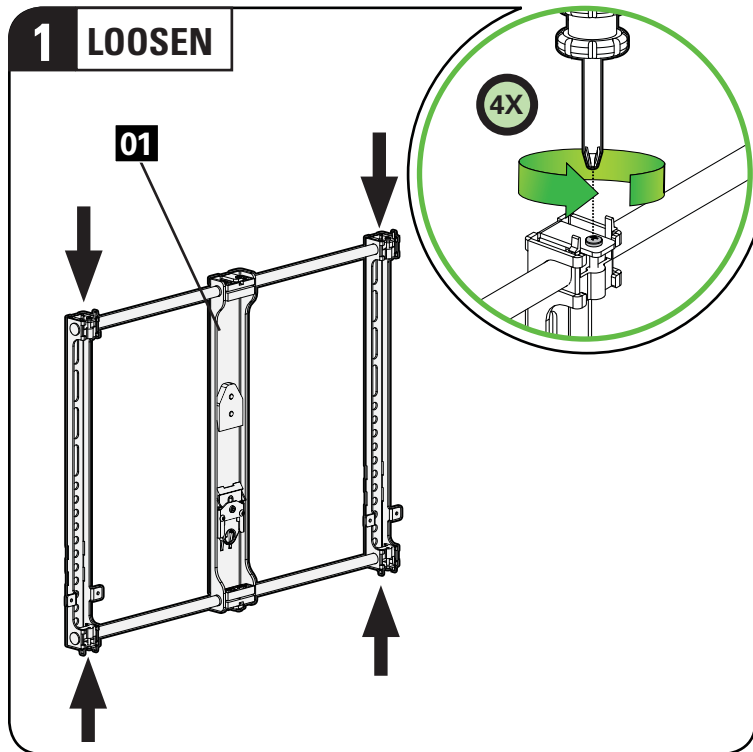


For rounded-back TVs, cable interference or inset holes, spacers **09** or **10** to create extra space between the TV and TV bracket.

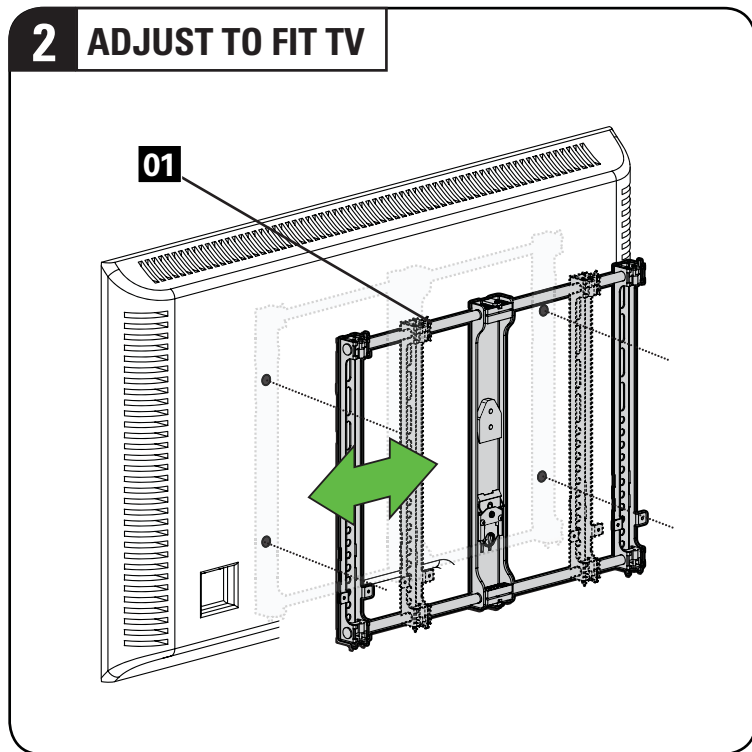
 If your TV included inset spacers or wall mount adapters, see Troubleshooting on PAGE 28.



## 1.3 Assemble TV Bracket



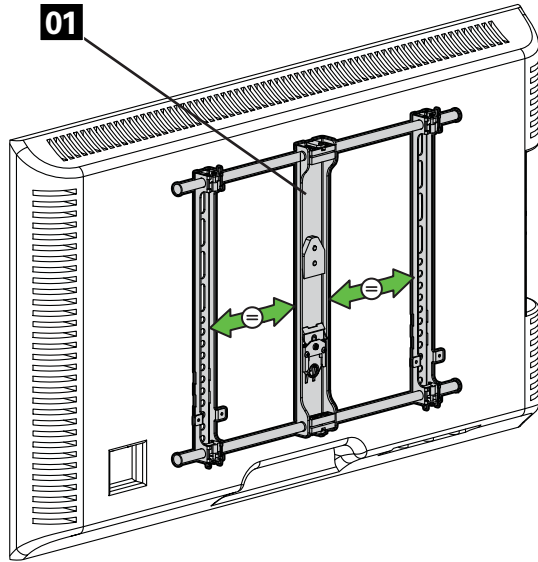
Loosen the upper two and lower two fasteners of TV bracket **01**.  
(Indicated with arrows).



Adjust TV bracket **01** to line up with your TV's mounting hole pattern.

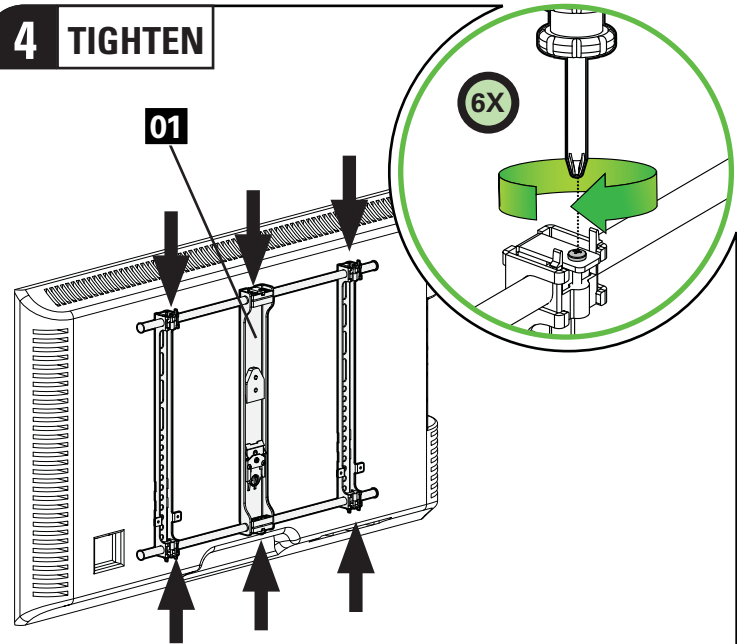


### 3 CENTER



Be sure the center column is evenly spaced between the outer columns.

### 4 TIGHTEN

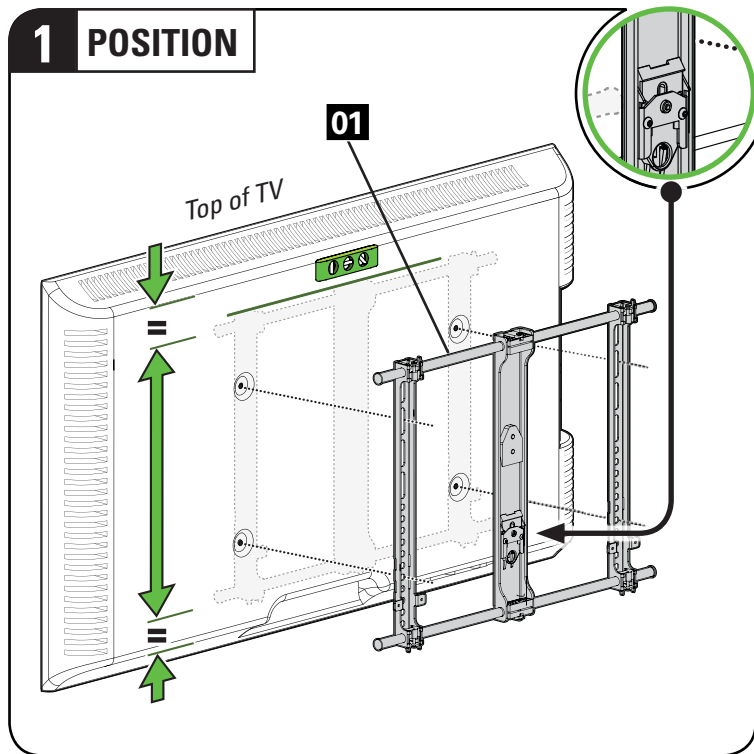


**⚠ CAUTION:** Avoid potential personal injury or property damage!

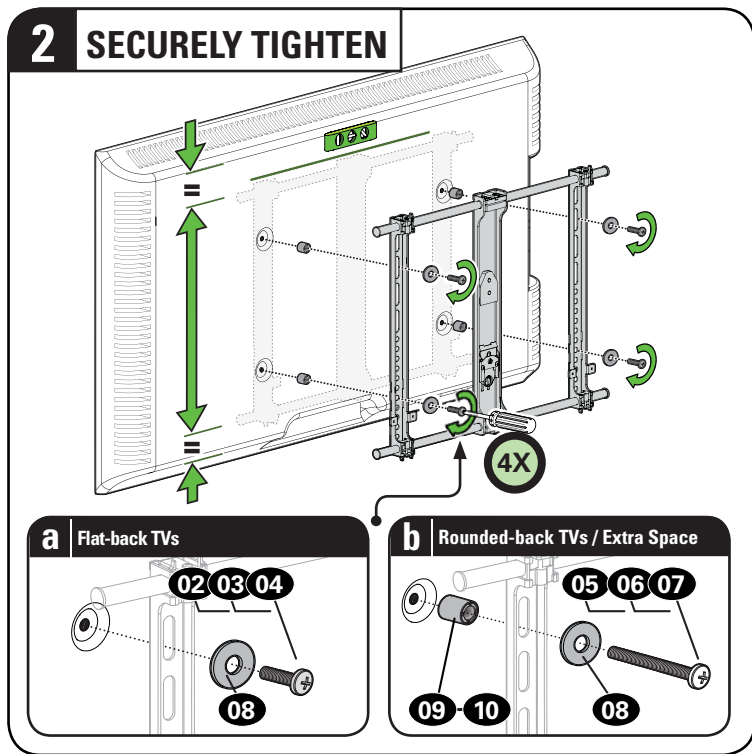
Do not overtighten the fasteners. Tighten only until snug.

Tighten the upper and lower fasteners and verify the center fasteners are also tightened. (Indicated with arrows).

## 1.4 Attach TV Bracket Assembly to TV



Center TV bracket **01** over your TV hole pattern as shown, making sure the bracket is level. Note the orientation of the bracket.



Install using the spacer, screw and washer combination you selected for your TV.

# STEP 2

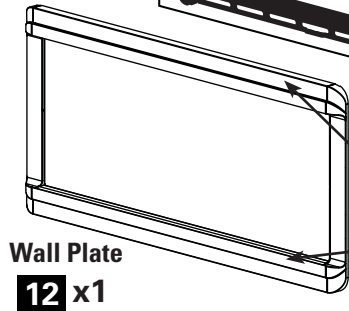
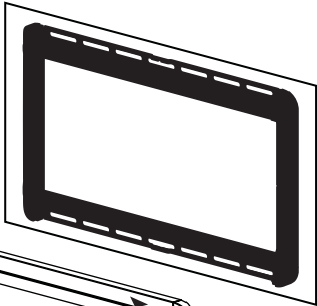
## Attach Wall Plate to Wall

**⚠ WARNING:** This product contains small items that could be a choking hazard if swallowed. Before starting assembly, verify all parts are included and undamaged. If any parts are missing or damaged, do not return the damaged item to your dealer; contact Customer Service. Never use damaged parts!

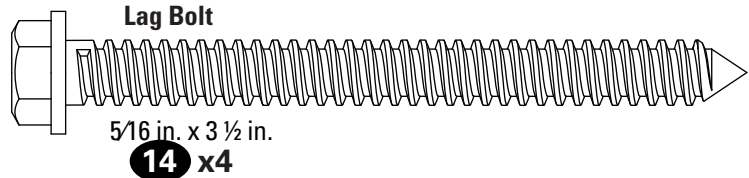
**📄 NOTE:** Not all hardware included will be used.

### Parts and Hardware for STEP 2

Wall Plate  
Template  
**11** x1



Wall Plate Cover  
(Attached)  
**13** x2



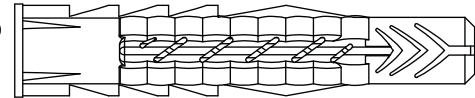
5/16 in. x 3 1/2 in.

**14** x4

**For concrete installations ONLY**

**⚠ CAUTION:** Do not use in drywall or wood  
**Concrete Anchor**

**15**  
x4



Fischer UX10 x 60R

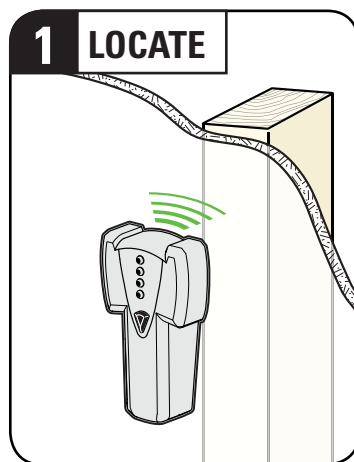
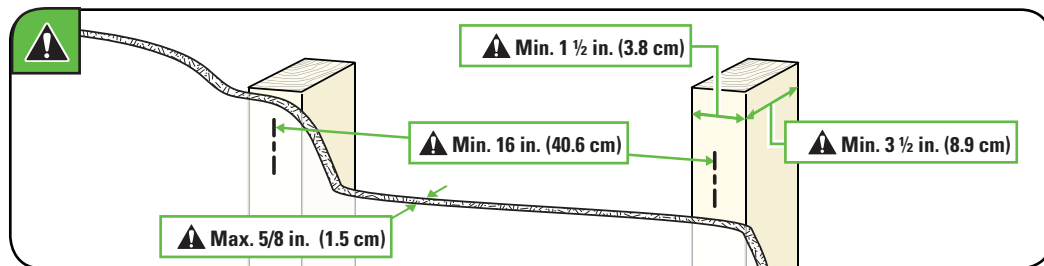
## STEP 2A



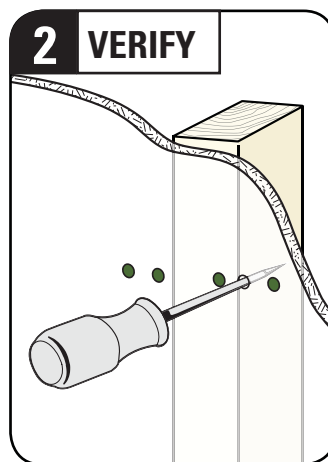
# Wood Stud Installation

**CAUTION:** Avoid potential personal injury or property damage!

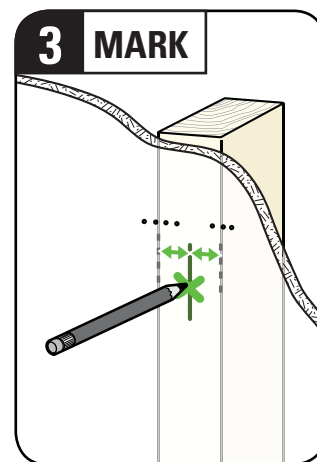
- Drywall covering the wall must not exceed 5/8 in. (1.5 cm)
- Minimum wood stud size: nominal 2 x 4 in. (5.1 x 10.2 cm) actual 1 1/2 x 3 1/2 in. (3.8 x 8.9 cm)
- Minimum horizontal space between fasteners: 16 in. (40.6 cm)
- Stud centers must be verified



Locate the studs using a stud finder.

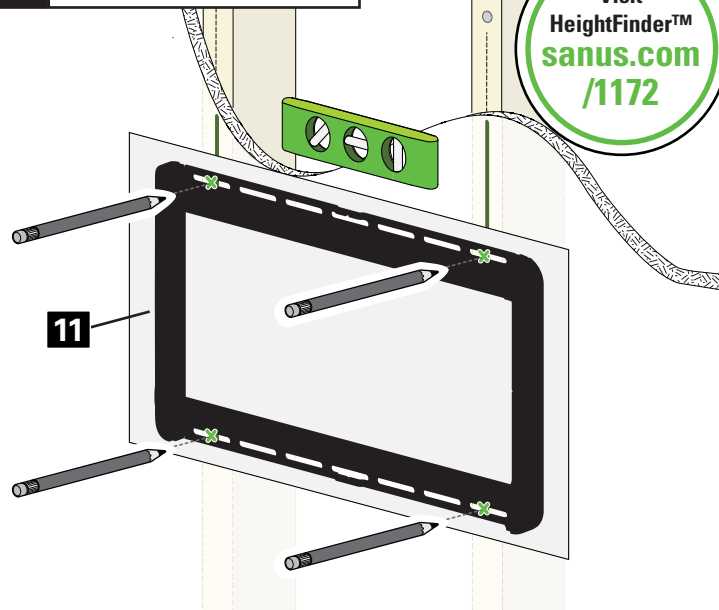


Find the edges of the studs using an awl or small drill bit.



Mark the centers of the studs with a pencil.

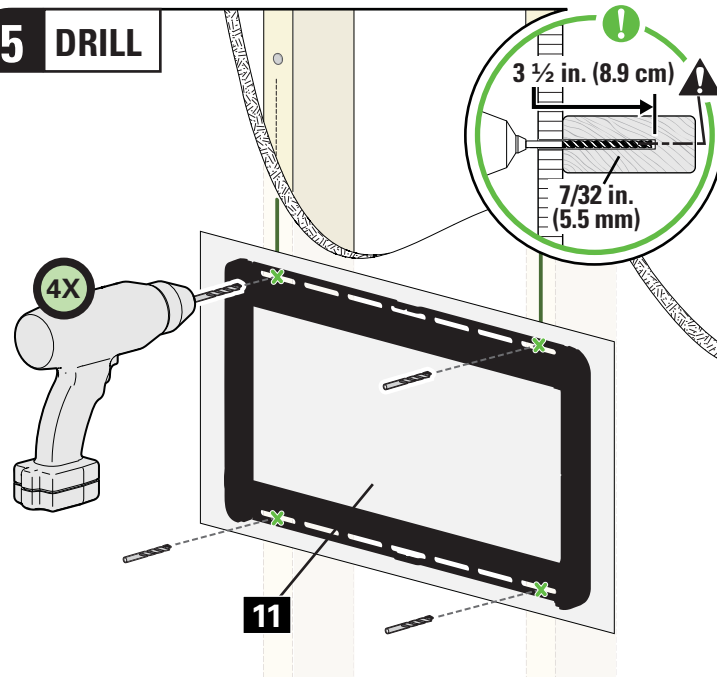
## 4 POSITION TEMPLATE



**TIP:** To calculate your precise wall plate location, check out our HeightFinder at [sanus.com \[www.sanus.com/1172\]](http://sanus.com/1172).

Position wall plate template **11** at your desired height, with the slotted holes over your stud center lines. Level and mark the hole locations.

## 5 DRILL

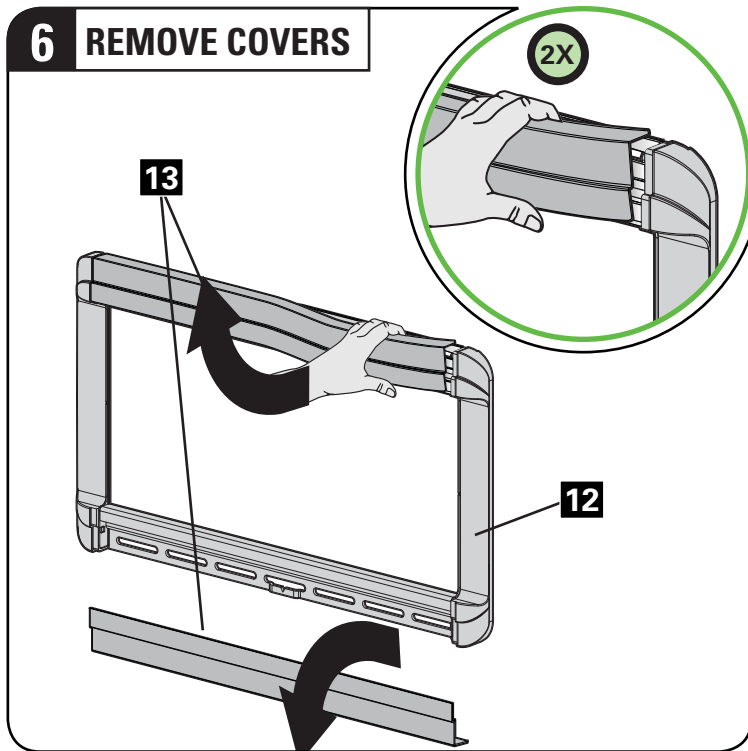


**CAUTION:** Be sure you drill into the CENTER of the stud.

Drill the four pilot holes using a 7/32 in. (5.5 mm) diameter drill bit.

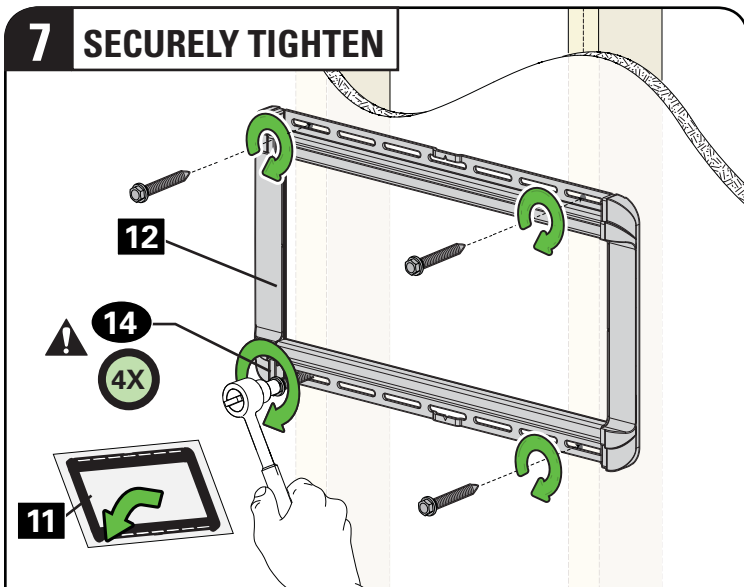
**IMPORTANT:** Pilot holes must be drilled to a depth of 3 1/2 in. (8.9 cm). Remove wall plate template **11** and discard.

## 6 REMOVE COVERS



Pull out one end of each wall plate cover **13** and remove (to expose the mounting holes).

## 7 SECURELY TIGHTEN



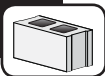
**⚠ CAUTION:** Avoid potential personal injury or property damage!

All four lag bolts **14** MUST BE firmly tightened to prevent unwanted movement of the wall plate **12**. Ensure the wall plate is securely fastened to the wall before continuing on to the next step.

Install wall plate **12** using four lag bolts **14** and firmly tighten until they are pulled flush against the wall plate **12**.

Go to **STEP 3** on **PAGE 18**.

## STEP 2B

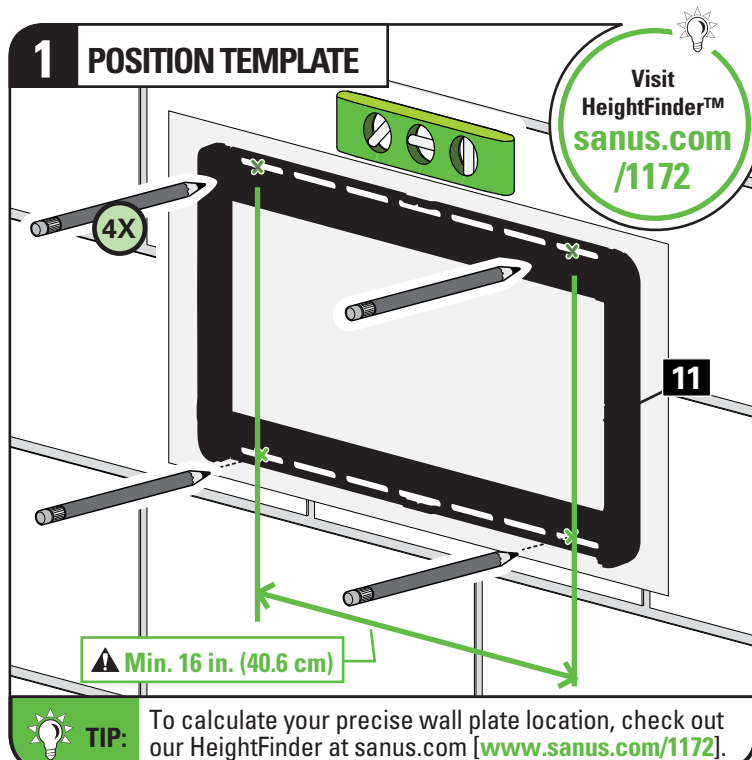


# Solid Concrete or Concrete Block Installation

**CAUTION:** Avoid potential personal injury or property damage!

- Mount the wall plate **12** directly onto the concrete surface
- Minimum **solid concrete** thickness: 8 in. (20.3 cm)
- Minimum **concrete block** size: 8 x 8 x 16 in. (20.3 x 20.3 x 40.6 cm)
- Minimum horizontal space between fasteners: 16 in. (40.6 cm)
- **For concrete applications**, arm **17** (STEP 3) must remain centered in wall plate **12**. Keep this in mind when selecting the wall plate location

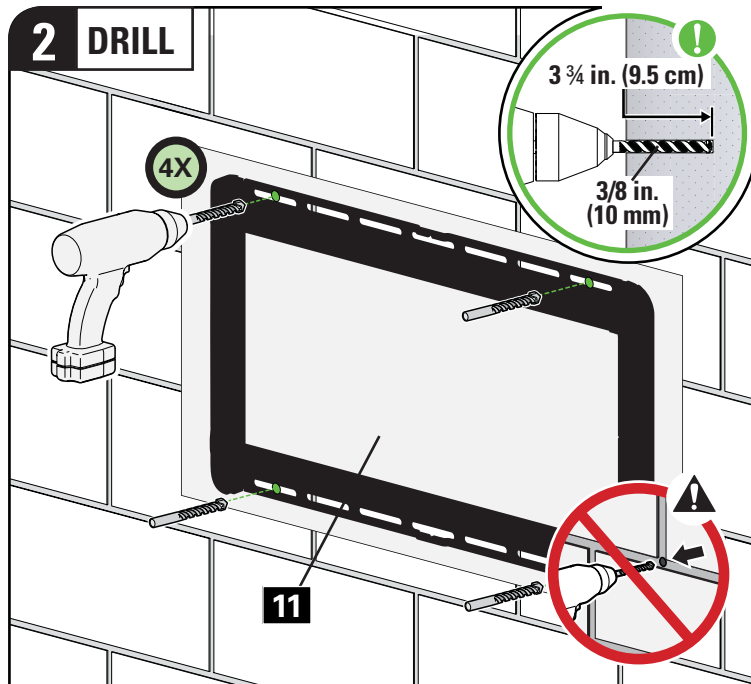
## 1 POSITION TEMPLATE



Position wall plate template **11** on the wall at your desired height. Level and mark the hole locations.

## STEP 2B

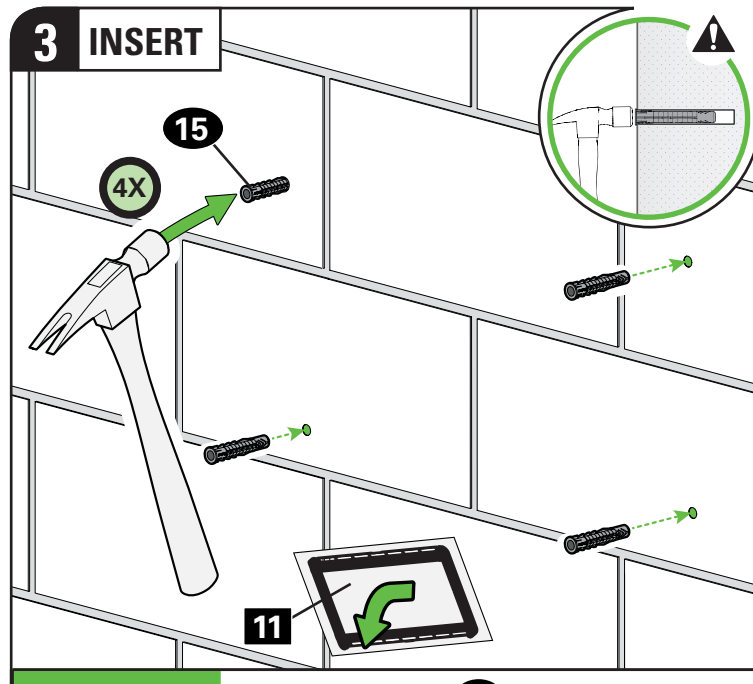
(continued)



**CAUTION:** Never drill into the mortar between blocks.

Drill four pilot holes using a 3/8 in. (10 mm) diameter drill bit.

**IMPORTANT:** Pilot holes must be drilled to a depth of 3 3/4 in. (9.5 cm).

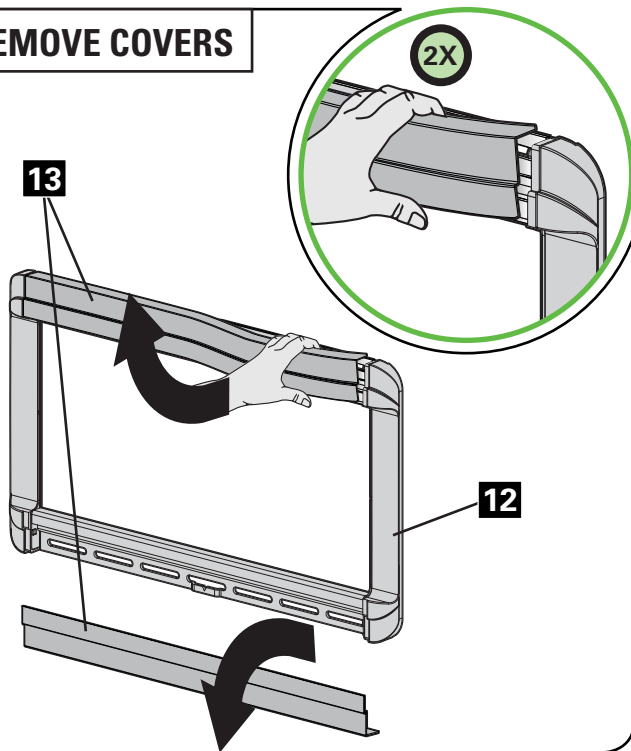


**CAUTION:** Be sure the anchors **15** are seated flush with the concrete surface.

Remove wall plate template **11** and insert four anchors **15**.

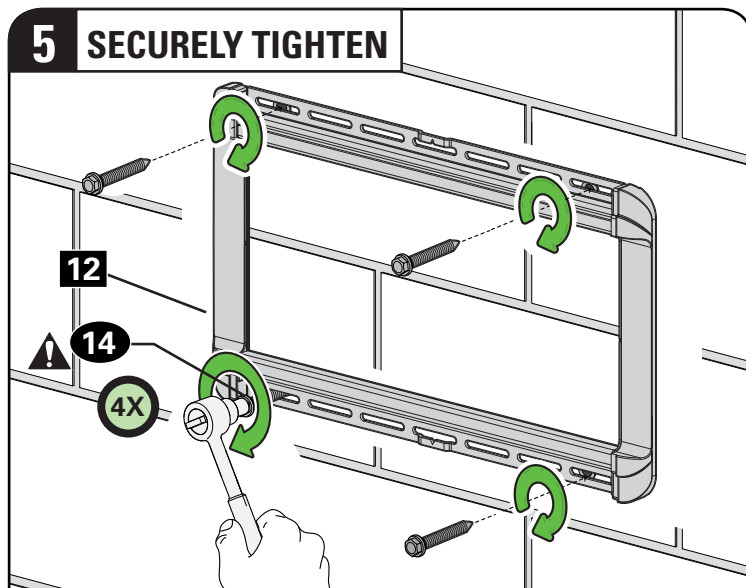


## 4 REMOVE COVERS



Pull out one end of each wall plate cover **13** and remove (to expose the mounting holes).

## 5 SECURELY TIGHTEN



**! CAUTION:** Avoid potential personal injury or property damage!

All four lag bolts **14** MUST BE firmly tightened to prevent unwanted movement of the wall plate **12**. Ensure the wall plate is securely fastened to the wall before continuing on to the next step.

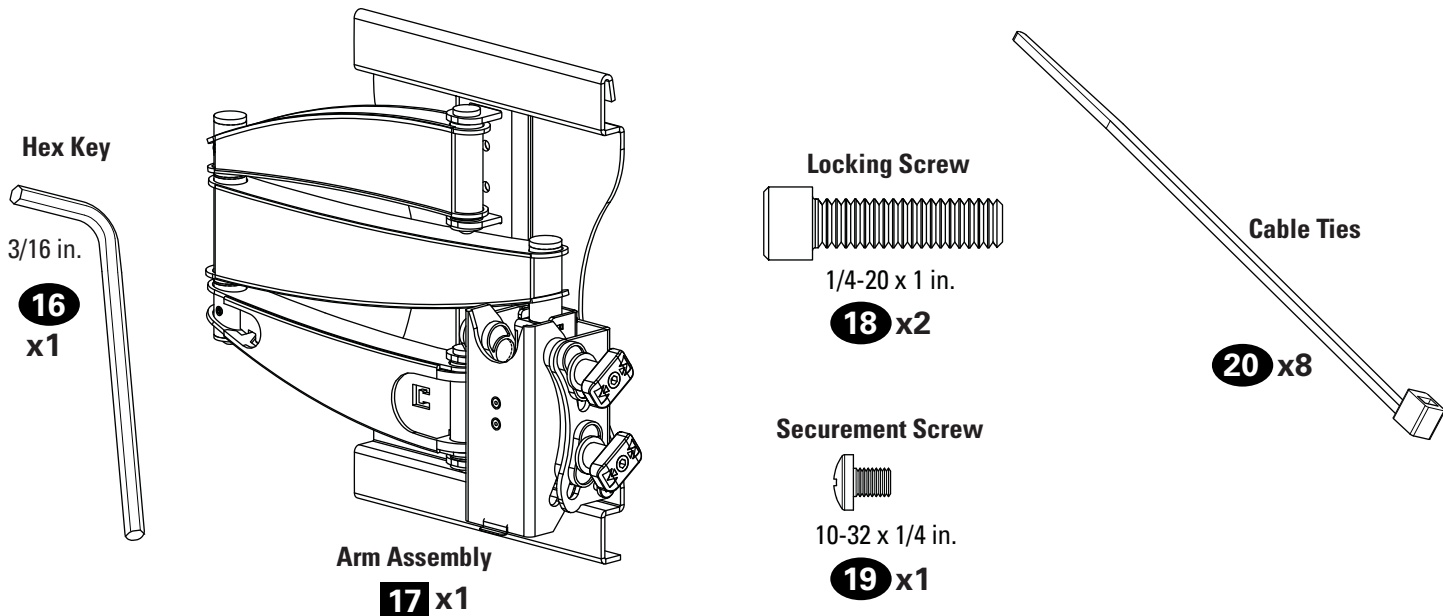
Install the four lag bolts **14**. Firmly tighten all four lag bolts **14** until they are pulled flush against the wall plate **12**.

# STEP 3

## Attach TV to Wall Plate

**⚠ WARNING:** Before starting assembly, verify this part is undamaged. If damaged, do not return the damaged item to your dealer; contact Customer Service. Never use damaged parts!

### Parts and Hardware for STEP 3

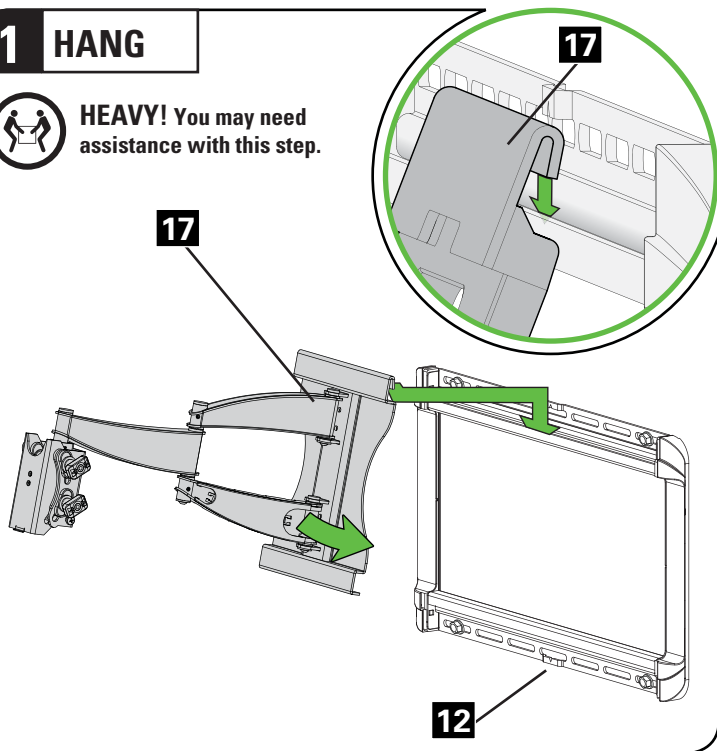


## 3.1 Attach Arm Assembly to Wall Plate

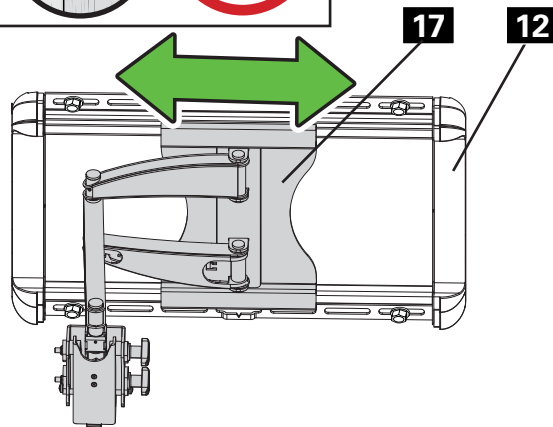
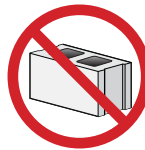
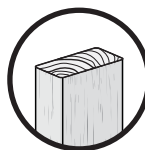
### 1 HANG



**HEAVY!** You may need assistance with this step.



Hang the top hook of arm assembly **17**, onto wall plate **12**. Then rest the arm assembly **17** into place.



**CAUTION:** Avoid potential personal injury or property damage!

For **CONCRETE APPLICATIONS:**

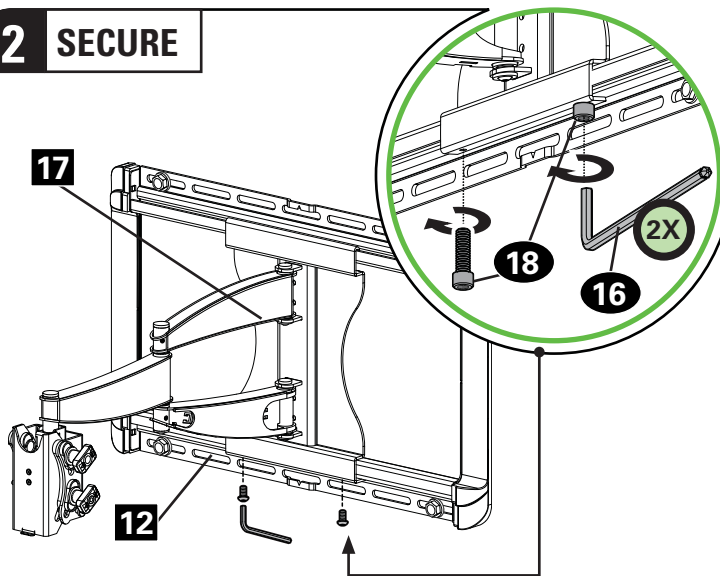
The arm assembly **17** **MUST** remain centered in wall plate **12**.



**NOTE:** For **WOOD STUD APPLICATIONS**, the arm assembly **17** can be slid anywhere along wall plate **12** for optimal positioning of your TV.

## 3.1 (continued)

### 2 SECURE

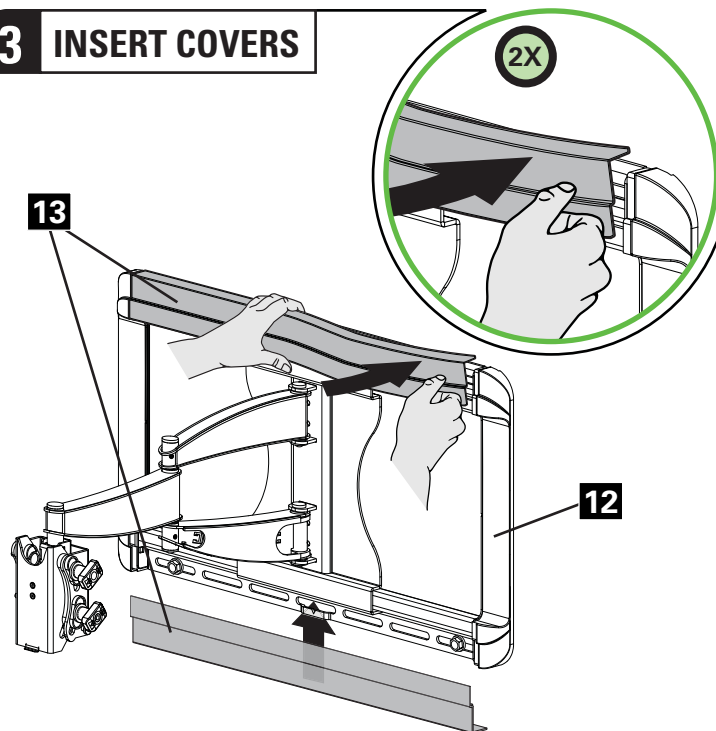


**⚠ CAUTION:** Avoid potential personal injury or property damage!

Always make sure both locking screws **18** are tightened, so the arm assembly **17** is securely fastened to wall plate **12**.

Secure arm assembly **17** onto wall plate **12** using two locking screws **18** in the bottom location shown.

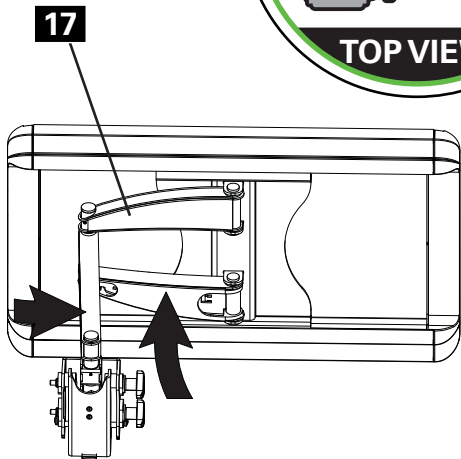
### 3 INSERT COVERS



Insert one end of each wall plate cover **13** then slightly bow the middle to insert the other end in place.

## 3.2 Hang TV onto Arm Assembly

### 1 POSITION

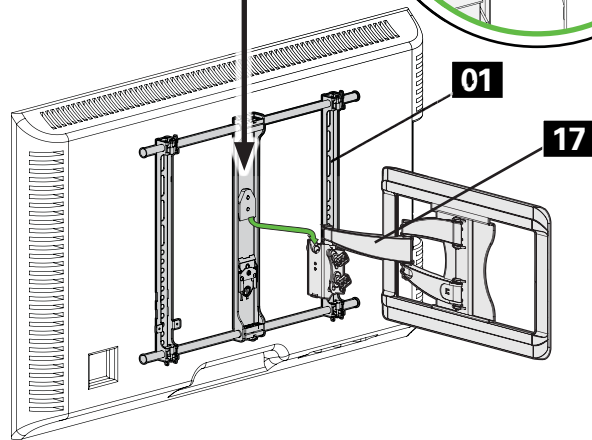
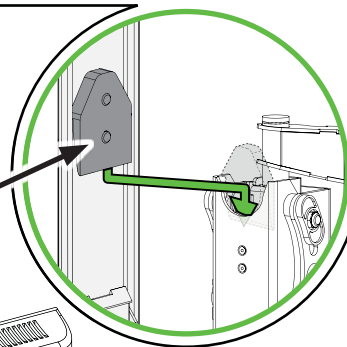


To make it easier to hang the TV, position the arm assembly **17** so the elbow is pressed against the wall.

### 2 HANG

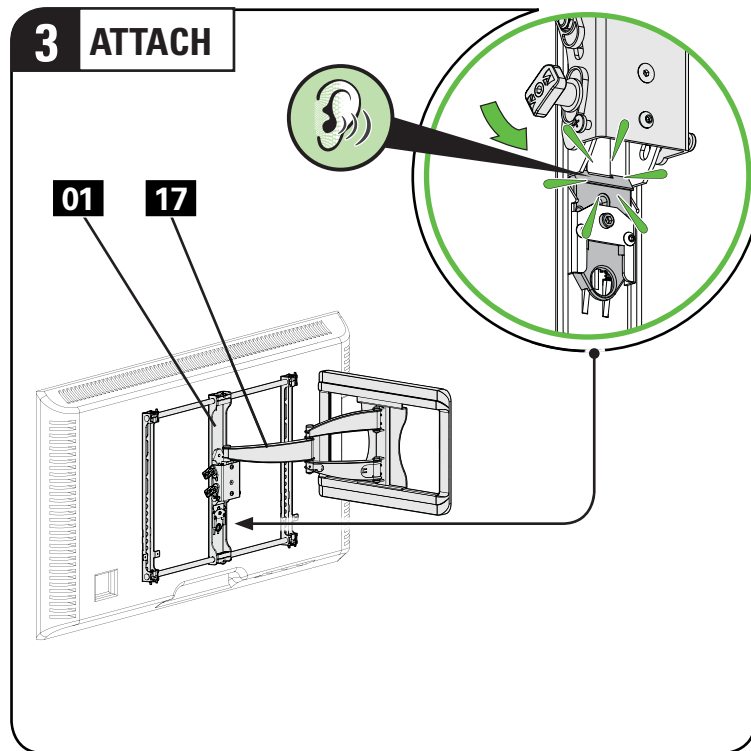


**HEAVY!** You may need assistance with this step.

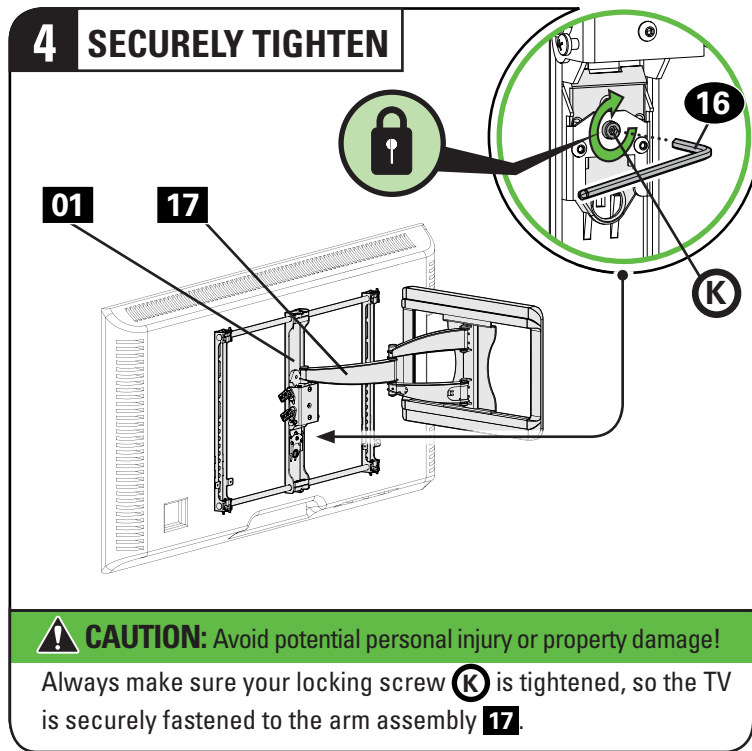


Hang the TV onto the arm assembly **17** by hooking the top support on TV bracket **01** as shown.

## 3.2 (continued)



Press the bottom of the TV into the arm assembly **17** until you hear the lock click, securing the TV in place.



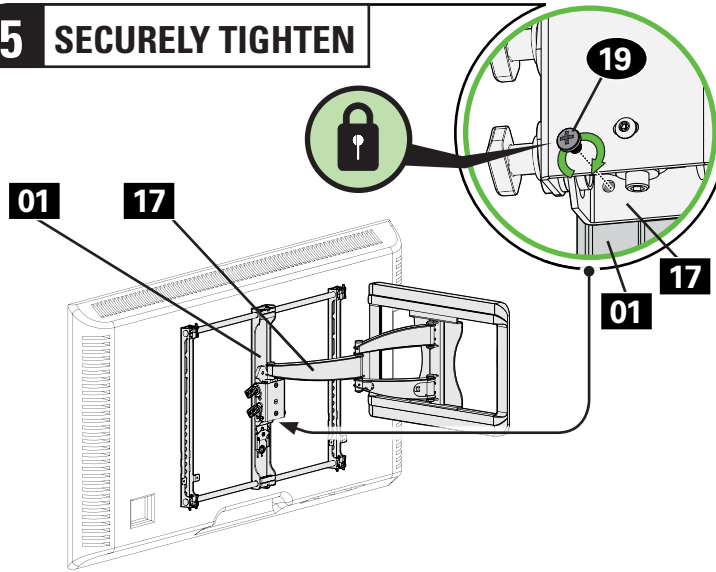
**⚠ CAUTION:** Avoid potential personal injury or property damage!

Always make sure your locking screw **(K)** is tightened, so the TV is securely fastened to the arm assembly **17**.

To lock the TV onto arm assembly **17**, tighten the locking screw **(K)** on the vertical TV bracket **01**.

## Manage Cables

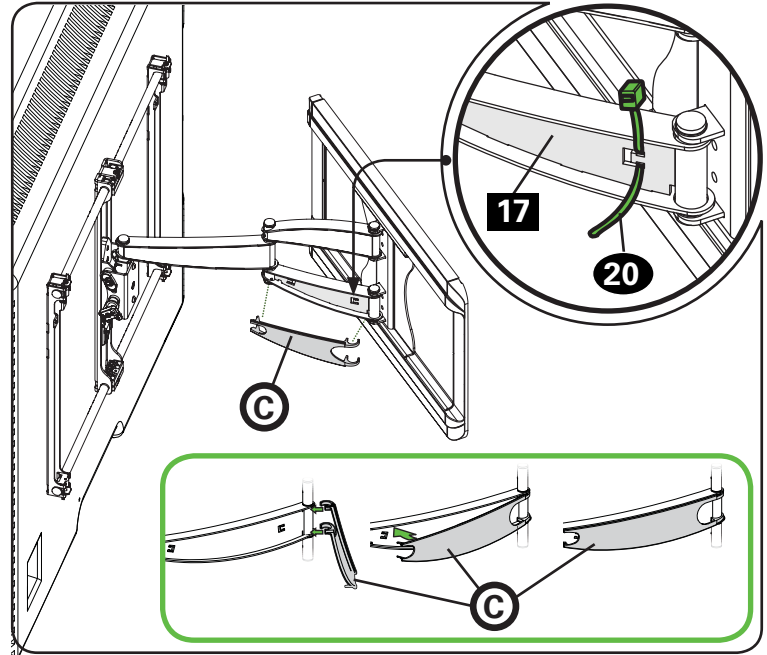
### 5 SECURELY TIGHTEN



**⚠ CAUTION:** Avoid potential personal injury or property damage!

Always make sure your securement screw **19** is tightened, so the TV is securely fastened to the arm assembly **17**.

To lock the TV onto arm assembly **17**, install the securement screw **19** on the vertical TV bracket **01**.



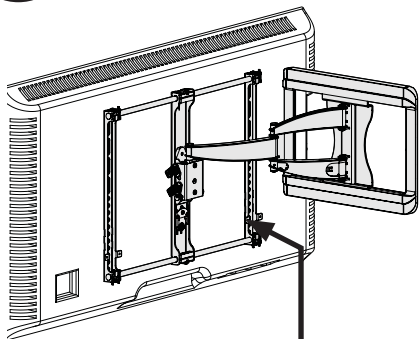
**📄 NOTE:** Pull arm **17** to its full extension, to leave enough slack and prevent stretching the cables when the arms are moved.

Remove the cable cover **C** from the arm **17**. Route the cables along the arm. Secure with cable ties **20** as needed. Reattach cable cover **C**.

# Adjustments

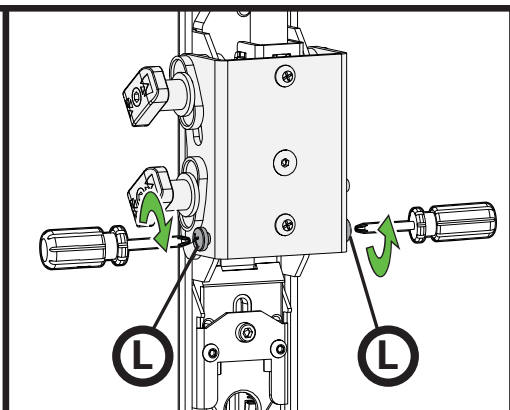
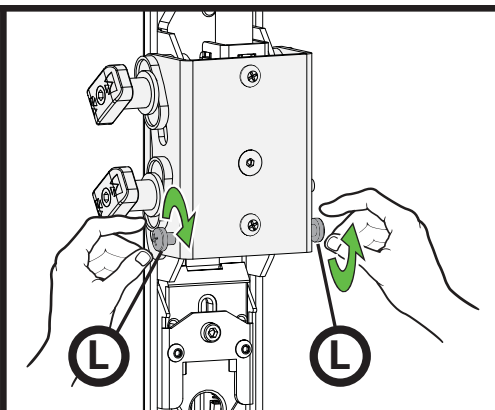
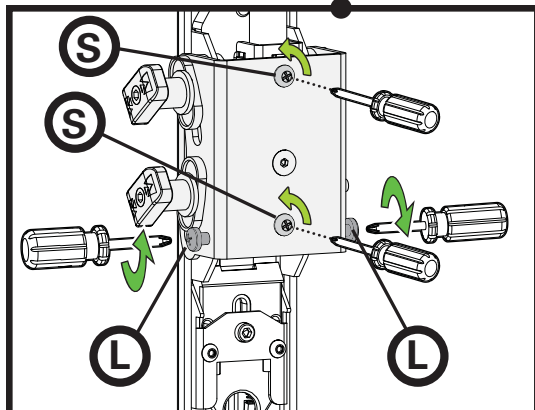


## LEVEL



1. Loosen both leveling screws **(L)**.
2. Level your TV. (If needed, loosen secondary screws **(S)**.)
3. FINGER TIGHTEN both leveling screws **(L)**.
4. Securely tighten both leveling screws **(L)** to prevent unwanted TV movement.

**⚠ CAUTION:** Avoid potential personal injury or property damage!  
Do not overtighten the fasteners. Tighten only until snug.





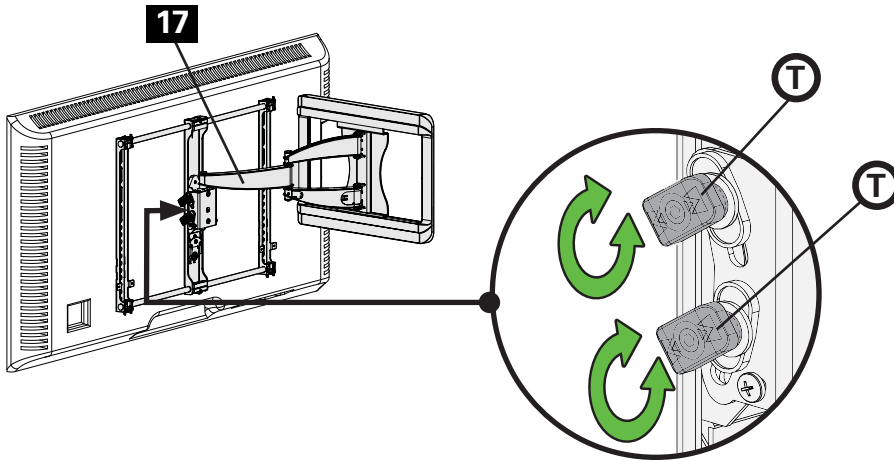


## TILT

Your TV should adjust easily when moved, then stay in place.

Adjust the tilt tension knobs **T** if your TV naturally tilts up or down.

**NOTE:** If you do not intend to adjust the tilt for different viewing locations, you can tighten the tilt tension knobs **T** by hand, to prevent unwanted movement. If needed, use hex key to tighten more firmly.





## TV LATERAL SHIFT



**HEAVY!** You may need assistance with this step.

**▲ CAUTION:** Avoid potential injuries or property damage!

Do NOT adjust the arm position from center for concrete applications.

Arm **17** MUST remain centered in wall plate **12** for all concrete applications!

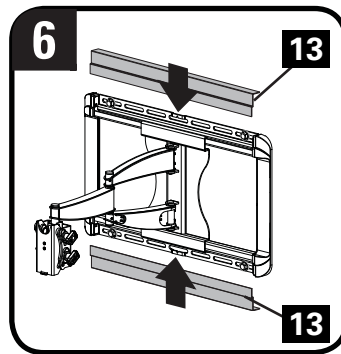
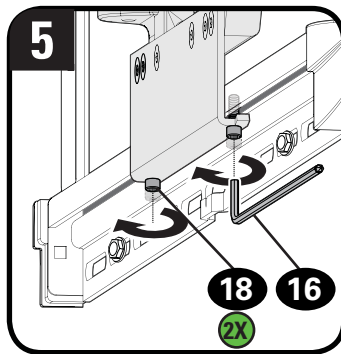
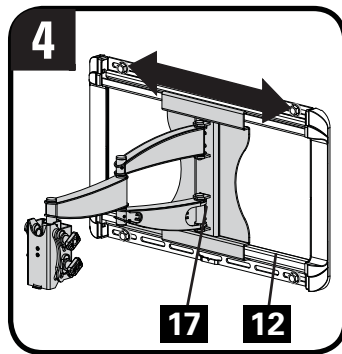
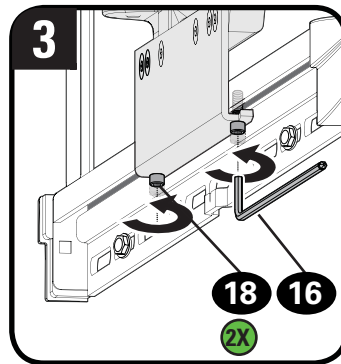
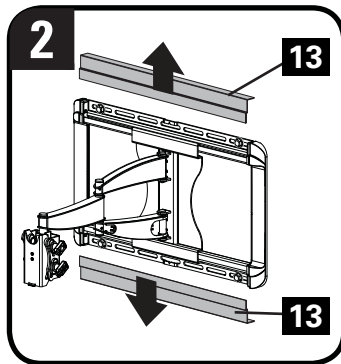
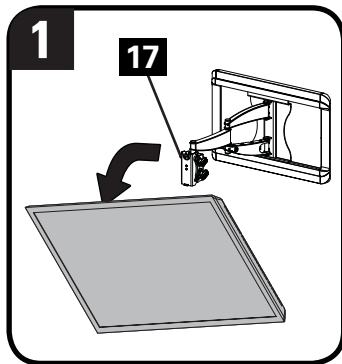
**For wood stud applications ONLY:**

1. Remove the TV (See PAGE 27).
2. Remove cover strips **13**.
3. Loosen but do not remove, locking screws **18** using hex key **16**.
4. Slide arm **17** to the desired position.
5. Tighten locking screws **18**.

**▲ CAUTION:** Avoid potential personal injury or property damage!

Always make sure both locking screws **18** are tightened so the TV is securely fastened to wall plate **12**.

6. Reattach the cover strips **13** and the TV (see STEP 3).



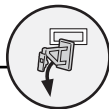
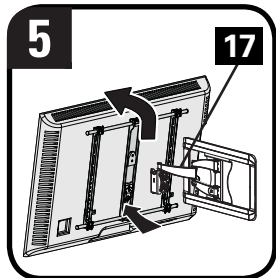
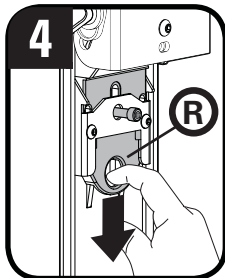
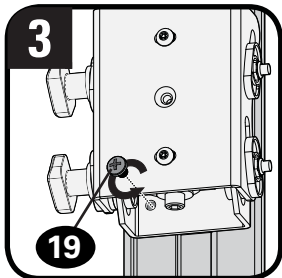
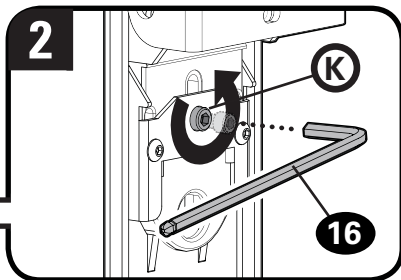
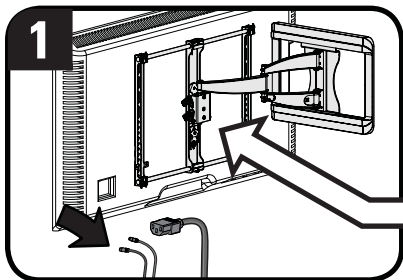


## REMOVE THE TV

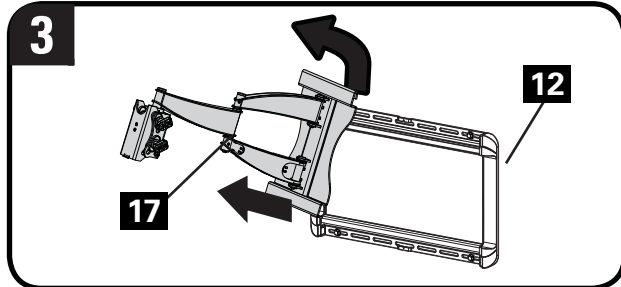
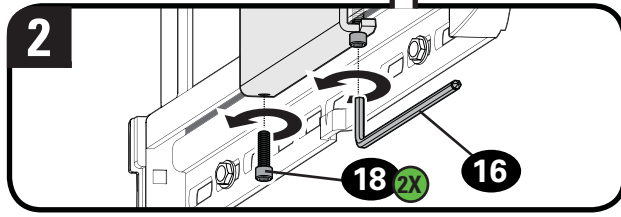
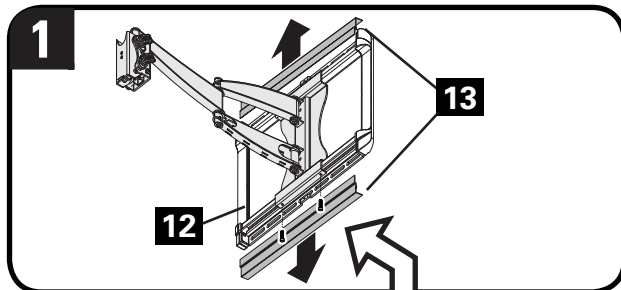


**HEAVY!** You may need assistance with this step.

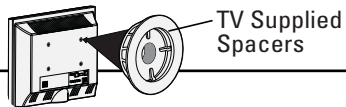
1. Disconnect all cables from the TV.
2. Loosen the locking screw **(K)** using hex key **(16)**.
3. Remove securement screw **(19)**.
4. Pull down on the Release ring **(R)** to release the TV.
5. Carefully lift the TV from arm assembly **(17)**.



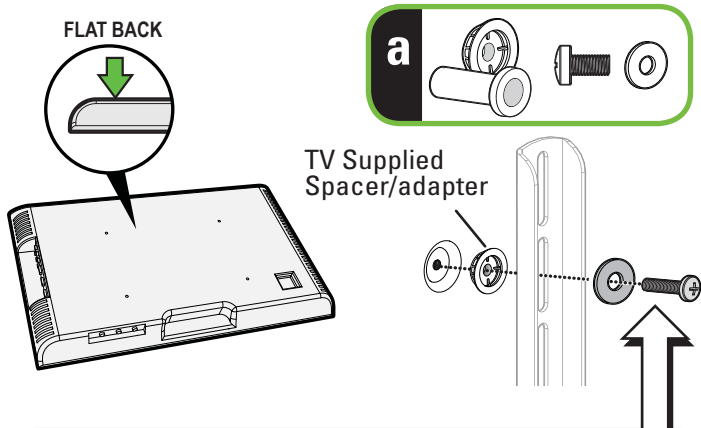
## REMOVE THE ARM ASSEMBLY



## TV supplied spacers



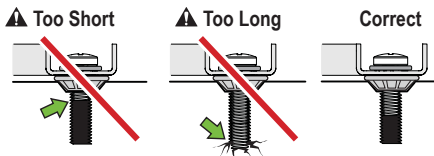
**a:** Use your TV supplied spacer/adapter for flat back TVs (AND you want your TV closer to the wall).



**CAUTION:** Avoid potential injury or property damage!

Use the correct screw length for adequate thread engagement.

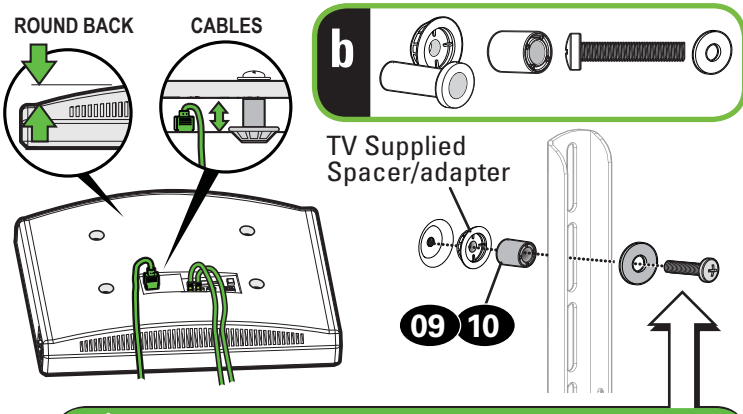
- Too short will not hold the TV.
- Too long will damage the TV.



If you are uncertain about your hardware selection, contact Customer Service at 1-800-359-5520

**b:** Use your TV supplied spacer/adapter and spacer **09** or **10** for:

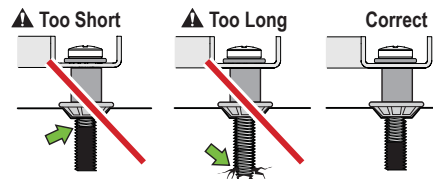
- Round (irregular) back TVs
- Extra space needed for cables



**CAUTION:** Avoid potential injury or property damage!

Use the correct screw length for adequate thread engagement.

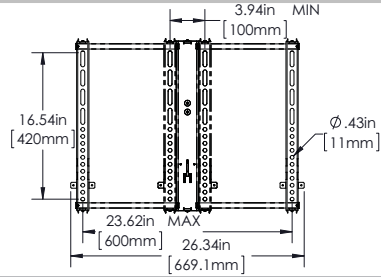
- Too short will not hold the TV.
- Too long will damage the TV.



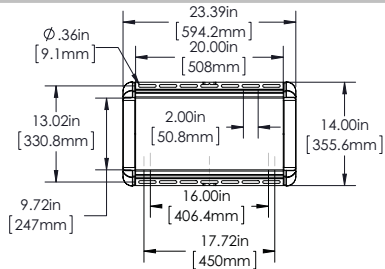
# Dimensions

in. [mm]

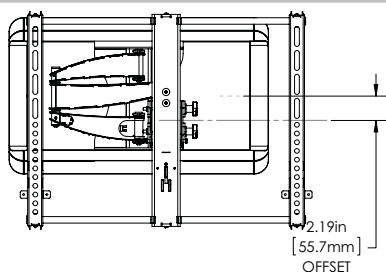
## TV INTERFACE



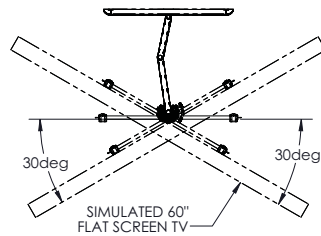
## WALL PLATE



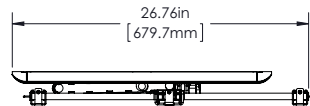
## FULLY ASSEMBLED MOUNT



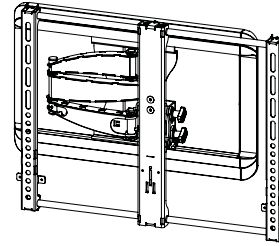
## TOP VIEW - EXTENDED



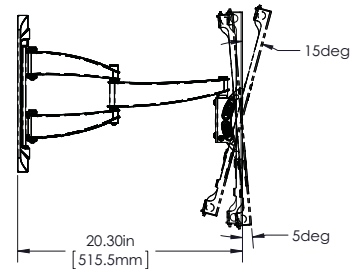
## TOP VIEW - RETRACTED



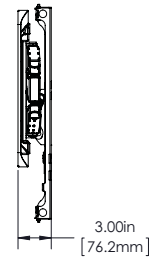
## 3-D




## SIDE VIEW - EXTENDED



## SIDE VIEW - RETRACTED



## Antes de comenzar, verifiquemos si este soporte es el adecuado para usted.

<p><b>1</b> ¿Su televisor (incluidos los accesorios) pesa <b>MÁS</b> de 34,0 kg (75 lb)?</p>	 <p>No. ¡Perfecto!</p> <p>Sí. Este soporte <b>NO</b> es compatible. Visite <a href="http://MountFinder.Sanus.com">MountFinder.Sanus.com</a> o llame al 1-800-359-5520 (Reino Unido: 0800-056-2853) para encontrar un soporte compatible.</p>
<p><b>2</b> ¿De qué está hecha su pared?</p> <p><b>⚠ PRECAUCIÓN:</b> NO lo instale en tabiques únicamente de yeso</p>	<div style="display: flex; justify-content: space-between;"> <div data-bbox="373 297 617 500">  <p>¿Tabiques de yeso con montantes de madera?</p> <p>¡Perfecto!</p> </div> <div data-bbox="771 297 1015 500">  <p>¿Hormigón sólido o bloques de hormigón?</p> <p>¡Perfecto!</p> </div> <div data-bbox="1193 297 1559 500"> <div style="border: 1px solid black; padding: 10px; text-align: center;"> <h1>?</h1> <p>¿No está seguro?</p> </div> <p><b>Llame al servicio de atención al cliente: 1-800-359-5520 (Reino Unido: 0800-056-2853)</b></p> </div> </div>
<p><b>3</b> ¿Tiene todas las herramientas necesarias?</p>	<div style="display: flex; justify-content: space-around; align-items: flex-end;"> <div style="text-align: center;">  <p>Cinta métrica</p> </div> <div style="text-align: center;">  <p>Lápiz</p> </div> <div style="text-align: center;">  <p>Nivel</p> </div> <div style="text-align: center;">  <p>Destornillador</p> </div> <div style="text-align: center;">  <p>Taladro eléctrico</p> </div> <div style="text-align: center;">  <p>Llave de tubo de 13 mm (1/2 pulg.)</p> </div> <div style="text-align: center;"> <p>Instalación en montantes de madera</p>  <p>Localizador de montantes</p> </div> <div style="text-align: center;">  <p>Punzón</p> </div> <div style="text-align: center;">  <p>Broca para madera de 5,5 mm (7/32 pulg.)</p> </div> <div style="text-align: center;"> <p>Instalación en hormigón</p>  <p>Broca para hormigón de 10 mm (3/8 pulg.)</p> </div> <div style="text-align: center;">  <p>Martillo</p> </div> </div>
<p><b>4</b> ¿Listo para comenzar?</p>	<p>Lea estas instrucciones en su totalidad para sentirse seguro y cómodo con este fácil proceso de instalación. Consulte igualmente el manual del usuario de su televisor para saber si existe algún requisito especial para instalar su televisor en la pared. Si no entiende las instrucciones o si tiene dudas acerca de la seguridad de la instalación, del ensamblado o del uso del producto, póngase en contacto con el servicio de atención al cliente al 1-800-359-5520 (Reino Unido: 0800-056-2853).</p> <p><b>⚠ PRECAUCIÓN:</b> Evite posibles lesiones personales y daños materiales.</p> <ul style="list-style-type: none"> <li>• Este producto está diseñado para usarse únicamente en aplicaciones con montantes de madera, hormigón y bloques de hormigón. <b>NO</b> lo instale en tabiques únicamente de yeso</li> <li>• La pared debe soportar cinco veces el peso del televisor y del soporte juntos.</li> <li>• No utilice este producto para ningún otro propósito que no sea el explícitamente especificado por el fabricante</li> <li>• El fabricante no se responsabiliza por ningún daño o lesión resultante del montaje incorrecto o de uso indebido</li> </ul>

# ¡ESTAMOS AQUÍ PARA AYUDARLE!

¿Desea ver un video para comprobar lo fácil que es hacerlo usted mismo?

 Visualícelo ahora en: [SANUS.com/2574](https://SANUS.com/2574)

Acierte a la primera. HeightFinder™ le indica el lugar donde debe taladrar.

 Descúbralo en: [SANUS.com/1172](https://SANUS.com/1172)

Nuestros expertos en instalación de EE. UU. están listos para ayudar.

 Llámenos al: **800-359-5520**  O contacte con nosotros por chat en: [SANUS.com/chatSP](https://SANUS.com/chatSP)

## Antes de comenzar

**No se preocupe** cuando vea todas las herramientas incluidas. Se proporcionan tornillos específicos de diferentes tamaños y longitudes para poder usarlos con la mayoría de televisores. **¡RELÁJESE!** Solamente tendrá que usar cuatro de estos tornillos para el televisor.

**Retire el soporte** de su televisor... ¡si ya lo tenía instalado claro!

**Instale todos los accesorios** que quiera añadir a su televisor.

Compruebe en los manuales de los accesorios si es necesario instalarlos ANTES de montar el televisor.

**Utilice solo las ilustraciones** para instalar el soporte del televisor.

¿No lo entiende? Lea la explicación detallada debajo de cada paso.


Lea **TODAS las advertencias** de seguridad. ¡Son muy **IMPORTANTES!** [  **PRECAUCIÓN:**  **IMPORTANTE:**  **NOTA:**  **CONSEJO:** ]


**Proteja la pantalla** del televisor cuando lo ponga boca abajo para la instalación.


### PASO 1

### Fijar el soporte al televisor

PÁGINA 6

 **ADVERTENCIA:** Este producto contiene piezas pequeñas que, en caso de ser tragadas, podrían producir asfixia. Antes de iniciar el ensamblaje, compruebe que todas las piezas estén incluidas y en buenas condiciones. Si faltan piezas o alguna está dañada, no devuelva el artículo al distribuidor. Póngase en contacto con el servicio de atención al cliente. Nunca utilice piezas deterioradas.

 **NOTA:** No todos los elementos de sujeción incluidos deberán utilizarse.

 **PRECAUCIÓN:** Evite posibles lesiones físicas y daños materiales. Los soportes del televisor pueden contener puntos de compresión durante la operación. Mantenga los dedos alejados de los puntos de compresión al retraer el televisor (observe las flechas).

## 1.1 Seleccione los tornillos del televisor

**⚠ PRECAUCIÓN:** Compruebe el enrosque adecuado de la combinación tornillo/arandela/espaciador y los soportes del televisor. (PASO 1.3).

Si el tornillo es **DEMASIADO CORTO**, no sostendrá el televisor. Si es **DEMASIADO LARGO**, el televisor se dañará.

Determine qué diámetro de tornillos (M6 o M8) encaja en los cuatro orificios de montaje de la parte trasera de su televisor.

## 1.2. Determine el espaciador que necesita para su tipo de televisor

Determine dónde desea colocar el espaciador cuando fije el soporte del televisor en el PASO 1.3.

Para los televisores con la parte trasera plana y para que su televisor esté más cerca de la pared, utilice tornillos más cortos sin espaciador. Para televisores con la parte trasera curvada, interferencia de cables u orificios empotrados, use tornillos más largos y los espaciadores **09** o **10** para crear un espacio adicional entre el televisor y el soporte.

## 1.3 Arme el soporte del televisor

### 1 AFLOJAR

Afloje los dos elementos de sujeción superiores y los dos inferiores del soporte del televisor **01**. (Se indica con flechas).

### 2 AJUSTAR

Ajuste el soporte del televisor **01** para alinearlo con el patrón de orificios del montante del televisor.

### 3 CENTRAR

Asegúrese de que la columna central es equidistante de las otras dos columnas.

### 4 APRETAR

Apriete los elementos de sujeción superior e inferior y compruebe que los de la parte central también están bien apretados. (Se indica con flechas).

## 1.4 Fije las placas de sujeción al televisor

### 1 AJUSTAR

Centre el soporte del televisor **01** sobre el patrón de orificios del aparato tal y como se muestra y asegúrese de que el soporte quede nivelado. Tome nota de la orientación del soporte.

### 2 APRETAR CON FIRMEZA

Haga la instalación utilizando la combinación de espaciadores, tornillos y arandelas que seleccionó para su televisor.

## PASO 2

## Fijar la placa mural a la pared

PÁGINA 9

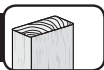
**⚠ ADVERTENCIA:** Este producto contiene piezas pequeñas que, en caso de ser tragadas, podrían producir asfixia. Antes de iniciar el ensamblaje, compruebe que todas las piezas estén incluidas y en buenas condiciones. Si faltan piezas o alguna está dañada, no devuelva el artículo al distribuidor. Póngase en contacto con el servicio de atención al cliente. Nunca utilice piezas deterioradas.



**NOTA:** No todos los elementos de sujeción incluidos deberán utilizarse.



## PASO 2A



## Instalación en pared con montantes de madera

PÁGINA 10

**⚠ PRECAUCIÓN:** Evite posibles lesiones físicas y daños materiales

- El yeso que recubre la pared no debe exceder los 1,5 cm (5/8 pulg.)
- Tamaño mínimo del montante de madera: común 5,1 x 10,2 cm (2 x 4 pulg.) nominal 3,8 x 8,9 cm (1 ½ x 3 ½ pulg.)
- Espacio horizontal mínimo entre los elementos de sujeción: 40,6 cm (16 pulg.)
- Debe comprobar los montantes centrales

**1 LOCALIZAR**

Localice los montantes usando un localizador de montantes.

**2 VERIFICAR**

Encuentre los bordes de los montantes usando un punzón o una pequeña broca.

**3 MARCAR**

Marque los centros de los montantes con un lápiz.

**4 COLOCAR LA PLANTILLA DE LA PLACA MURAL**

**💡 CONSEJO:** Para calcular la ubicación concreta de la placa mural, pruebe nuestra herramienta Height Finder disponible en sanus.com [www.sanus.us/1172].

Coloque la plantilla de la placa mural **11** a la altura que desee y ubique los orificios muescados sobre las líneas centrales del montante. Nivele y marque la ubicación de los orificios.

**5 TALADRAR LOS ORIFICIOS**

Taladre cuatro orificios guía con una broca de 5,5 mVm (7/32 pulg.) de diámetro. **ⓘ IMPORTANTE:** Los orificios guía deben taladrarse hasta una profundidad de 8,9 cm (3 ½ pulg.). Retire la plantilla de la placa mural **11** y deséchela.

**6 RETIRAR LAS CUBIERTAS**

Tire de un extremo de cada una de las cubiertas de la placa mural **13** y retírelas (para mostrar los orificios de montaje).

**7 APRETAR CON FIRMEZA**

**⚠ PRECAUCIÓN:** Evite posibles lesiones físicas y daños materiales. Los cuatro tornillos **14** DEBEN ESTAR ajustados con firmeza para evitar el movimiento no deseado de la placa mural **12**. Asegúrese de que la placa de pared esté bien fijada a la pared antes de continuar con el paso siguiente.

Instale los cuatro tornillos **14** y ajústelos con firmeza hasta que estén a ras contra la placa mural **12**.

## PASO 2B



## Instalación en paredes de hormigón sólido o en bloques de hormigón PÁGINA 10

**⚠ PRECAUCIÓN:** Evite posibles lesiones físicas y daños materiales.

- Instale la placa mural **12** directamente sobre la superficie de hormigón
- Espesor mínimo del **hormigón**: 20,3 cm (8 pulg.)
- Tamaño mínimo del **bloque de hormigón**: 20,3 x 20,3 x 40,6 cm (8 x 8 x 16 pulg.)
- Espacio horizontal mínimo entre los elementos de sujeción: 40,6 cm (16 pulg.)
- **Para las aplicaciones sobre hormigón**, el brazo **17** (PASO 3) debe permanecer centrado en la placa mural **12**. Tenga esto en cuenta al seleccionar la ubicación de la placa mural

### 1 COLOCAR LA PLANTILLA DE LA PLACA MURAL

**💡 CONSEJO:** Para calcular la ubicación concreta de la placa mural, pruebe nuestra herramienta Height Finder disponible en sanus.com [www.sanus.com/1172].

Coloque la plantilla de la placa mural **11** en la pared a la altura que desee. Nivele y marque la ubicación de los orificios.

### 2 TALADRAR LOS ORIFICIOS

**⚠ PRECAUCIÓN:** Nunca perforo el cemento que une los bloques.

Taladre cuatro orificios guía con una broca de 10 mm (3/8 pulg.) de diámetro. **❗ IMPORTANTE:** Los orificios guía deben taladrarse hasta una profundidad de 9,5 cm (3 ¾ pulg.).

### 3 INSERTAR LOS ANCLAJES

**⚠ PRECAUCIÓN:** Asegúrese de que los anclajes **15** queden nivelados respecto de la superficie de hormigón.

Retire la plantilla de la placa mural **08** e introduzca cuatro anclajes **15**.

### 4 RETIRAR LAS CUBIERTAS

Tire de un extremo de cada una de las cubiertas de la placa mural **13** y retírelas (para mostrar los orificios de montaje).

### 5 APRETAR CON FIRMEZA

**⚠ PRECAUCIÓN:** Evite posibles lesiones físicas y daños materiales. Los cuatro tornillos **14** **DEBEN ESTAR** ajustados con firmeza para evitar el movimiento no deseado de la placa mural **12**. Asegúrese de que la placa de pared esté bien fijada a la pared antes de continuar con el paso siguiente.

Instale los cuatro pernos tirafondo **14**. Apriételos **14** con firmeza hasta que queden nivelados respecto a la placa mural **12**.

## PASO 3

## Fijar el televisor en la placa mural

PÁGINA 18


**⚠️ ADVERTENCIA:** Antes de empezar el montaje, compruebe que esta parte no esté dañada. Si lo está, no la devuelva al distribuidor. Póngase en contacto con el servicio de atención al cliente. Nunca utilice piezas deterioradas.

## 3.1 Fije el conjunto del brazo a la placa mural

**1 COLGAR**  ¡ELEMENTO PESADO! Es posible que necesite ayuda en este paso.

Cuelgue el gancho superior del conjunto del brazo **17** en la placa mural **12** y, a continuación, deje caer el conjunto del brazo **17** en su posición.

**⚠️ PRECAUCIÓN:** Evite posibles lesiones físicas y daños materiales. Para **APLICACIONES EN HORMIGÓN:** del brazo **17** DEBEN estar centrados en la placa mural **12**.

 **NOTA:** Para **APLICACIONES SOBRE MONTANTES DE MADERA**, del brazo **17** se pueden deslizar a cualquier parte de la placa **12** para conseguir colocar su televisor en una posición óptima.

## 2 ASEGURAR

**⚠️ PRECAUCIÓN:** Evite posibles lesiones físicas y daños materiales. Asegúrese siempre de que los dos tornillos de bloqueo **18** estén bien apretados, para que el conjunto del brazo **17** quede fijado de forma segura a la placa mural **12**.

Asegure el conjunto del brazo **17** en la placa mural **12** utilizando dos tornillos de bloqueo **18** en la parte inferior que se muestra en la imagen.

## 3 INSERTAR

Inserte un extremo de cada una de las cubiertas de la placa mural **13** y, a continuación, doble ligeramente el medio para insertar el otro extremo.

## 3.2 Cuelgue el televisor en el conjunto de brazo

## 1 COLOCAR

Para que colgar el televisor sea más sencillo, coloque el conjunto del brazo **17** de manera que el codo quede pegado a la pared.

**2 COLGAR**  ¡ELEMENTO PESADO! Es posible que necesite ayuda en este paso.

Cuelgue el televisor en el conjunto del brazo **17** enganchando el apoyo superior en el soporte del televisor **01** como se muestra.

## 3 FIJAR

Inserte la parte inferior del televisor en el conjunto del brazo **17** hasta que oiga un "clic" de bloqueo, que asegurará el televisor en su posición.

**4 APRETAR CON FIRMEZA**

**⚠ PRECAUCIÓN:** Evite posibles lesiones físicas y daños materiales. Asegúrese siempre de que el tornillo de bloqueo **(K)** esté bien apretado, para que el televisor quede fijado de forma segura al conjunto del brazo **17**.

Para fijar el televisor al conjunto del brazo **17**, apriete el tornillo de bloqueo **(K)** en el soporte vertical del televisor **01**.


**5 APRETAR CON FIRMEZA**

**⚠ PRECAUCIÓN:** Evite posibles lesiones físicas y daños materiales. Asegúrese siempre de que el tornillo de seguridad **19** esté bien apretado, para que el televisor quede fijado de forma segura al conjunto del brazo **17**.

Para fijar el televisor al conjunto del brazo **17**, apriete el tornillo de seguridad **19** en el soporte vertical del televisor **01**.

**Organizar los cables**

PÁGINA 23

 **NOTA:** Tire del brazo **17** hasta alcanzar su extensión máxima para dejar suficiente holgura y así evitar tirar de los cables cuando se mueva el brazo. Retire la cubierta de cables **(C)** del brazo **17**. Pase los cables por el brazo. Asegure con bridas **20** si lo necesita. Vuelva a colocar la cubierta de cables **(C)**.

**Ajustes**

PÁGINA 24

**NIVEL**

1. Afloje los dos tornillos reguladores **(L)**. 2. Nivele su televisor. (Si es necesario, afloje algunos tornillos secundarios **(S)**.) 3. **APRIETE CON EL DEDO** los dos tornillos reguladores **(L)**. 4. Asegure con firmeza los dos tornillos reguladores **(L)** para evitar movimientos innecesarios del televisor. **⚠ PRECAUCIÓN:** Evite posibles lesiones físicas y daños materiales. No apriete demasiado los elementos de sujeción. Apriételes solo hasta que queden firmes.

**INCLINACIÓN**

El televisor debe acomodarse fácilmente al moverlo y, posteriormente, quedar en su lugar. Ajuste la perilla de tensión de inclinación **(T)** si su televisor se inclina por sí solo hacia arriba o hacia abajo. **ⓘ NOTA:** Si no pretende ajustar la inclinación a diferentes ubicaciones de visión, puede ajustar las perillas de tensión de inclinación **(T)** para evitar movimientos no deseados.

**EXTENDER / RETRAER**

**⚠ PRECAUCIÓN:** Evite posibles lesiones físicas y daños materiales. Los soportes del televisor pueden contener puntos de compresión durante la operación. Mantenga los dedos alejados de los puntos de compresión al retraer el televisor (observe las flechas).

**DESPLAZAMIENTO LATERAL DEL TELEVISOR**  ¡ELEMENTO PESADO! Es posible que necesite ayuda en este paso.

**⚠ PRECAUCIÓN:** Evite posibles lesiones personales o daños materiales. NO ajuste la posición del brazo desde el centro cuando esté colocado sobre hormigón.

El brazo **17** DEBE permanecer centrado en la placa mural cuando **12** se coloque sobre hormigón.

**SOLO para aplicaciones en montantes de madera:** 1. Retire el televisor (Ver PÁGINA 27) 2. Retire las tiras de recubrimiento **13**. 3. Afloje, pero no retire por completo, los tornillos de bloqueo

**18** utilizando una llave hexagonal **16**. 4. Deslice el brazo **17** a la posición deseada. 5. Apriete los tornillos de bloqueo **18**. **⚠ PRECAUCIÓN:** Evite posibles lesiones físicas y daños

materiales. Asegúrese siempre de que los dos tornillos de bloqueo **18** estén bien apretados para que el televisor quede fijado de forma segura a la placa mural **12**. 6. Vuelva a colocar las tiras de recubrimiento **13** y el televisor (ver PASO 3).

**RETIRAR EL TELEVISOR**  ¡ELEMENTO PESADO! Es posible que necesite ayuda en este paso.

1. Desconecte todos los cables del televisor. 2. Afloje el tornillo de bloqueo **K** utilizando una llave hexagonal **16**. 3. Retirar el tornillo de seguridad **19**. 4. Tire hacia abajo del anillo de liberación

**R** para extraer el televisor. 5. Levante con cuidado el televisor para separarlo del conjunto de brazo **17**.

**RETIRE EL CONJUNTO DEL BRAZO** **Solución de problemas**

PÁGINA 28

**a:** Use el separador proporcionado para televisores con partes traseras planas (o bien si quiere que su televisor esté más cerca de la pared).

**b:** Use el separador proporcionado con el televisor y el separador **09** o **10** para: televisores con la parte trasera redondeada (irregular) o si necesita espacio adicional para los cables.

Si tiene dudas sobre la selección de las piezas, contacte con el servicio de atención al cliente en el 1-800-359-5520.

**⚠ PRECAUCIÓN:** Evite posibles lesiones personales y daños materiales. Use la longitud correcta de tornillos para un enrosque adecuado. Si el tornillo es demasiado corto, no sostendrá el televisor. Si es demasiado largo, el televisor se dañará.

**Dimensiones**

PÁGINA 29

Milestone AV Technologies and its affiliated corporations and subsidiaries (collectively, “Milestone”), intend to make this manual accurate and complete. However, Milestone makes no claim that the information contained herein covers all details, conditions, or variations. Nor does it provide for every possible contingency in connection with the installation or use of this product. The information contained in this document is subject to change without notice or obligation of any kind. Milestone makes no representation of warranty, expressed or implied, regarding the information contained herein. Milestone assumes no responsibility for accuracy, completeness or sufficiency of the information contained in this document.

# ONE MORE THING: BE A WINNER!

**SANUS** STORE LOCATOR Welcome Andy My Profile Logout View Cart

PRODUCTS BRANDS LEARN TOOLS MEDIA SUPPORT CONTACT

Product, TV Model, and Store Locator Search

## Product Registration

Home > Product Registration > Product Information

### Step 2 - Product Information


We're glad you chose to register your SANUS product!


We're so happy, in fact, that - just for registering your product - you may enter for a chance to win a \$50 coupon code to spend towards future purchases on [www.sanus.com](http://www.sanus.com).\*

SANUS has hundreds of products. Which one did you choose? We just need a little info from you.

Model number

Lot number



Need help finding your lot number? 

Yes, enter me in the sweepstakes

By selecting this box, you are verifying that you are a legal resident of the fifty (50) United States and are at least twenty-one (21) years of age on the date of the Sweepstakes entry submission.†

**Register**

\* NO PURCHASE IS NECESSARY TO ENTER OR WIN. A PURCHASE WILL NOT IMPROVE YOUR ODDS OF WINNING. By participating in the sweepstakes, you agree to and accept the official rules. For a copy of the official rules, please [click here](#).

† The potential winner is subject to verification, including verification of age.

Product Registration

Progress: 100%

Step 1 - Account Creation

Step 2 - Product Information

Step 3 - Registration Complete

**TALK TO US**  
1-800-359-5520  
Monday - Friday 9am - 9pm CST  
Saturday - Sunday 10:30am - 7pm CST

**WARRANTY information**

**Americas Office**  
6438 City West Parkway  
Eden Prairie, MN 55244, USA  
Toll Free: +1 800 359 5520  
Phone: +1 651 494 7988  
Fax: +1 651 636 0287  
Email: [info@sanus.com](mailto:info@sanus.com)  
Customer Service Hours:  
Monday - Friday 9am - 9pm CST  
Saturday - Sunday 10:30am - 7pm CST

Register your new mount and tell us how you like it for a chance to win in our monthly sweepstakes.

Entering is quick and easy. Visit [SANUS.com/1234](http://SANUS.com/1234) and follow three simple steps for your chance to win.

"Monthly Prize" sweepstakes rules and restrictions apply. Visit [SANUS.com/1234](http://SANUS.com/1234) for details.

# IT'S TIME TO SHOW OFF



When you share your handiwork  
with your friends, tag

## #sanusspaces

for a chance to be featured in the  
Inspiration Gallery on SANUS.com.



**SANUS.com**  
WE MAKE IT EASY



**SanusSystems**  
CHAT WITH US



**pinterest.com/Sanus**  
BE INSPIRED



**SanusSystems**  
WATCH AND LEARN

800-359-5520 • [info@sanus.com](mailto:info@sanus.com) • [SANUS.com](http://SANUS.com)

SANUS • 6436 City West Parkway • Eden Prairie, MN 55344 USA

©2016 Milestone AV Technologies. All rights reserved. SANUS is a division of Milestone.

All other brand names or marks are used for identification purposes and are trademarks of their respective owners.

6901-602082 00