

# SANUS SYSTEMS

THE UNION OF FORM AND FUNCTION

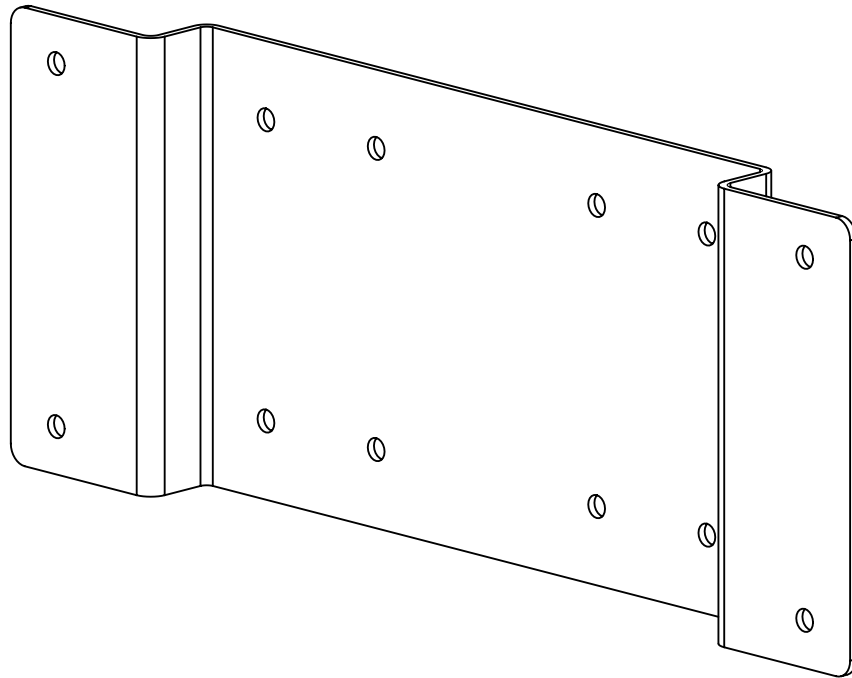
## Assembly Instructions for VMpa2632 Adapter

Thank you for choosing a Sanus Systems Vision Mount product. The VMpa2632 is designed for the Panasonic TV models; TC-26LX20 and the TC-32LX20. It is meant to be used exclusively with the VM200, VM300 or VM400 wall mount.

**Safety Warning:** If you do not understand these directions, or have any doubts about the safety of the installation, please call a qualified contractor or contact Sanus at 800.359.5520 or [www.sanus.com](http://www.sanus.com). Check carefully to make sure that there are no missing or defective parts. Our customer service representatives can quickly assist you with installation questions and missing or damaged parts. Replacement parts for products purchased through authorized dealers will be shipped directly to you. Never use defective parts. Improper installation may cause damage or serious injury. Do not use this product for any purpose that is not explicitly specified by Sanus Systems. Sanus Systems can not be liable for damage or injury caused by incorrect mounting, incorrect assembly, or incorrect use. Please call Sanus Systems before returning products to the point of purchase.

Required Tools: Phillips screw driver and wrench or socket set.

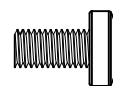
Parts and Hardware:



(1) Adapter Plate - a



(4) M6 Lock Nut - b

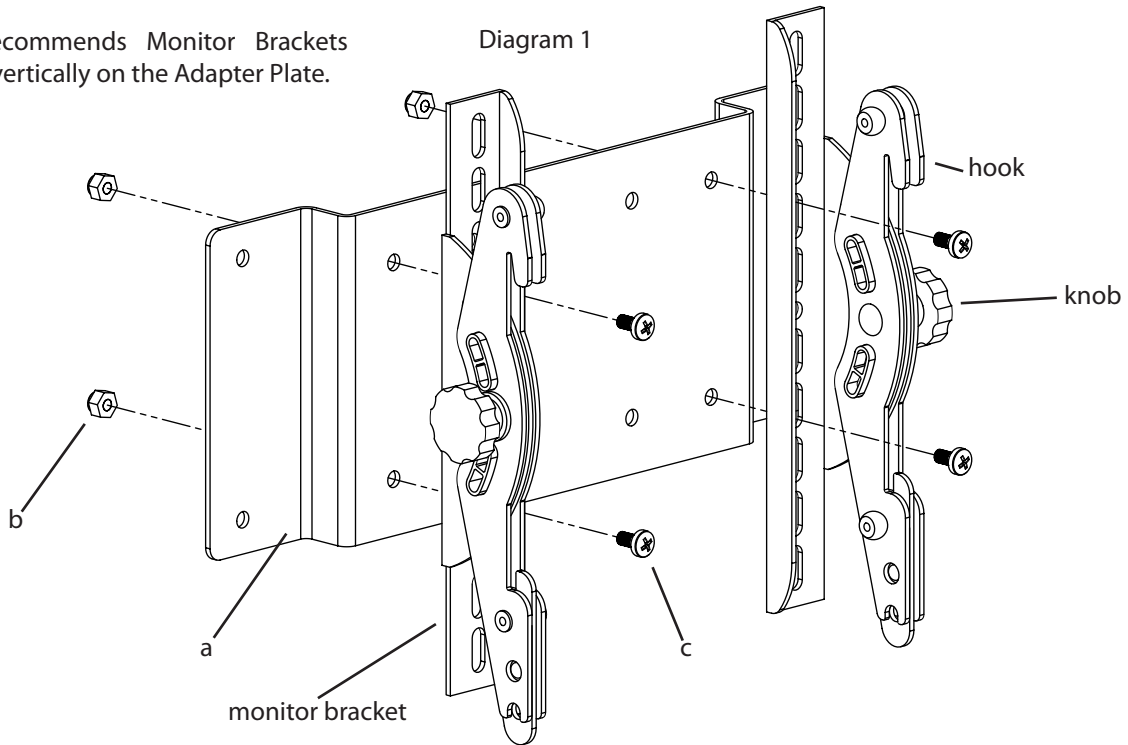


(4) M6 Bolt - c

### Step 1: Add Adapter Plate to VM200 Monitor Brackets

Before attaching them to the Adapter Plate (a), orient the Monitor Brackets so that hooks are on the top and the knobs are facing outward as seen in Diagram 1. Insert a M6 Bolt (c) through a slot in the Monitor Bracket, a hole in the center part of the Adapter Plate and a M6 Lock Nut (b) as shown in Diagram 1. Repeat process until both Monitor Brackets are secured to the Adapter Plate. Make sure the bolts are tight.

Note: Sanus recommends Monitor Brackets being centered vertically on the Adapter Plate.



### Step 2: Attach Adapter to TV

Follow the Hardware selection process detailed in the VM200 Instruction Manual. Once you have picked out the correct hardware, use the outer holes of the Adapter Plate (a) to attach it to the TV as shown in Diagram 2. Proceed to tighten each bolt with a phillips screw driver.

