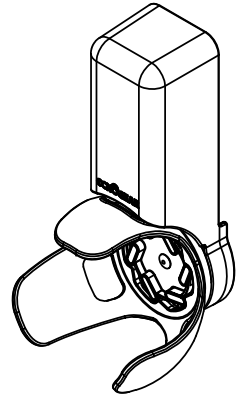


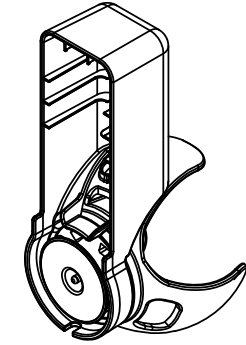
### 3D VIEW FRONT



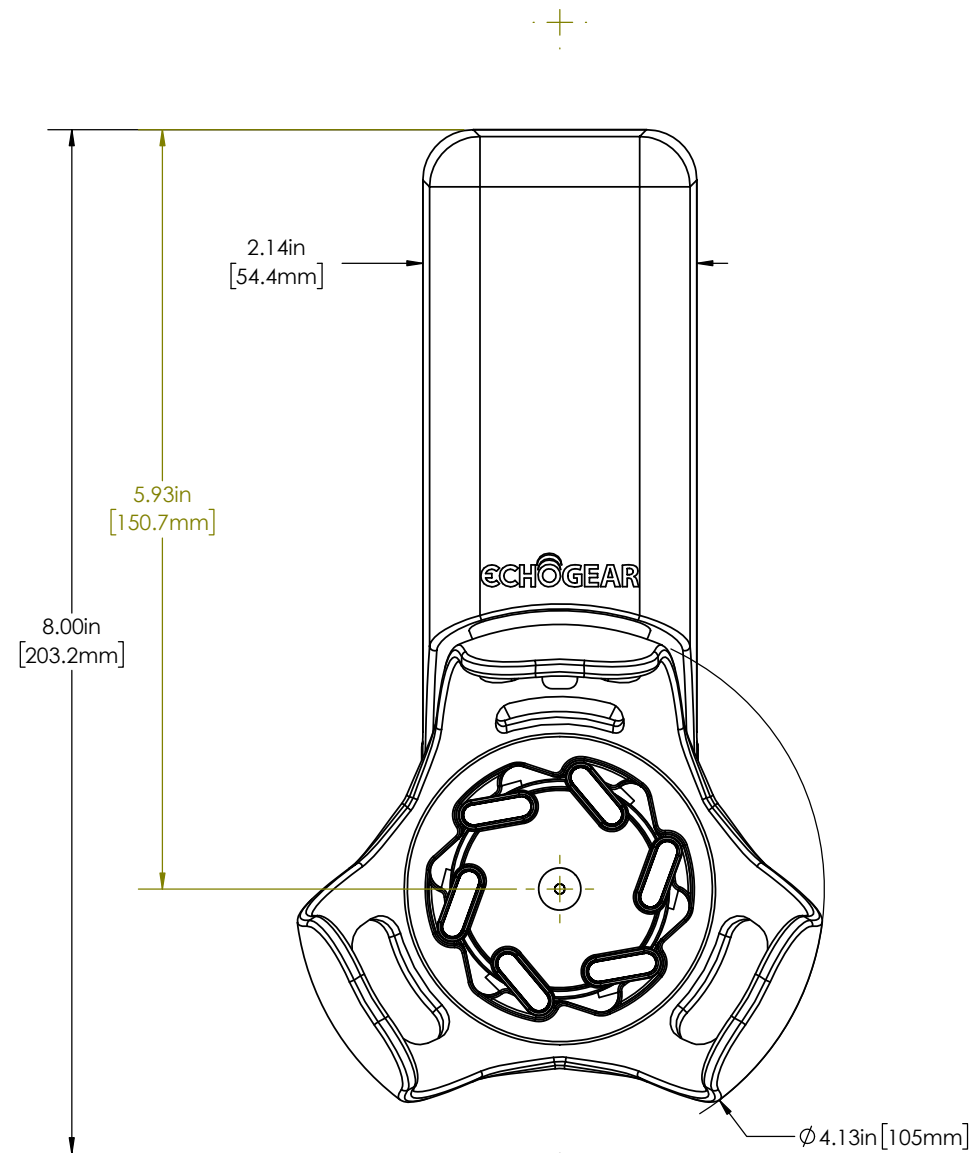
## BROWNIE OUTLET HANGER 6805-002391-XXX

THE INFORMATION AND DESIGNS CONTAINED IN THIS DRAWING ARE CONFIDENTIAL AND THE PROPRIETARY PROPERTY OF LEGRAND | AV. NEITHER THIS DESIGN NOR ANY INFORMATION CONTAINED IN THIS DRAWING MAY BE REPRODUCED OR DISCLOSED TO OTHERS WITHOUT THE EXPRESS WRITTEN CONSENT OF LEGRAND | AV. 本图纸所包含的信息和设计均系 LEGRAND | AV 机密和知识产权, 本图纸包含的设计和信息未经 LEGRAND | AV 书面同意均不得复制或 者泄露给他人

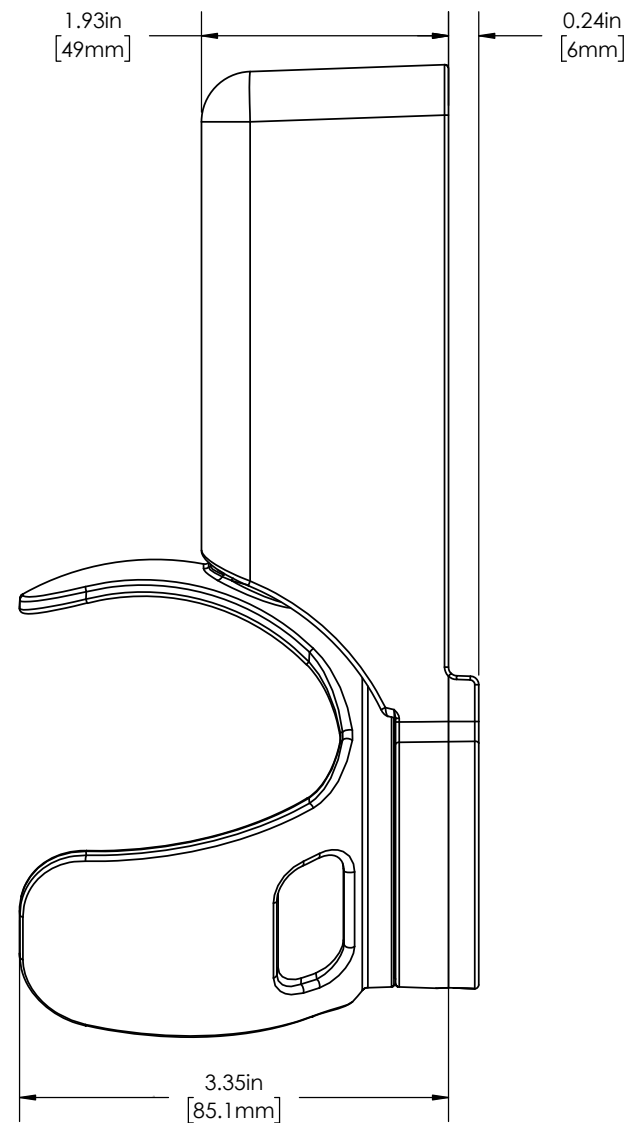
### 3D VIEW REAR



### FIXED MOUNT - FRONT VIEW



### FIXED MOUNT - SIDE VIEW



### FIXED MOUNT - TOP VIEW

